



FOSC® MSC (Modular Splice Closure), Empty housing, size C, Standard size basket included, with test valve, Compatible with FOSC C-trays (not included)

- Single ended o-ring sealed dome closure for high capacity splicing in a versatile and modular build
- Leverages proven FOSC™ fiber management system, with multiple splice tray options
- Fully removable base for easy cable access during installation and provisioning
- Compatible with high end environmental specifications for aerial, pedestal, underground or direct buried applications
- Superior gel sealing technology incorporated in interchangeable and fully wrap around gel segments
- Toolless and intuitive design in cable seals and cable attachments
- Compatible with a wide range of fiber cable sizes and types
- Mounts to FOSC clamps, table mount and fixturing brackets

Product Classification

Regional Availability	North America
Product Type	Single-ended, round fiber closure
Product Brand	FOSC®
Product Series	FOSC-MSC

General Specifications

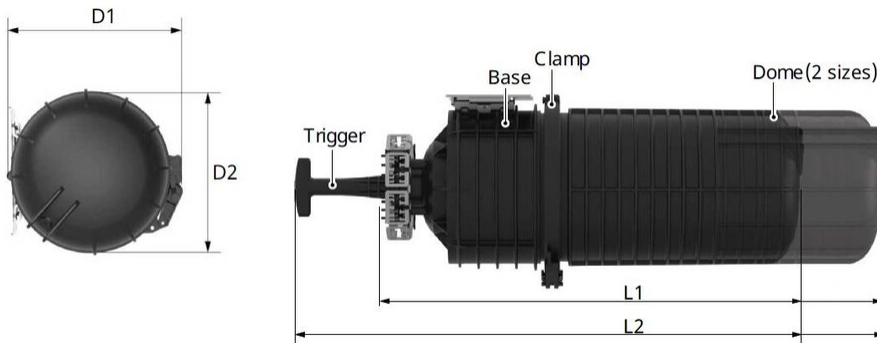
Cable Ports Quantity, total	8 multi-out ports (64 cables)
Cable Sealing Type	Gel kit (optional)
Closure Sealing Type	Dome-to-base clamp with O-ring
Closure Style	Single-ended
Color	Black
Flash Test Valve	Pre-installed
Mounting	Pole Strand Wall
Network Area Type	Distribution Feeder
Splice Tray Included, quantity	0
Splicing Capacity, Mass Fusion, maximum	648
Splicing Capacity, Single Fusion, maximum	144
Splicing Type, Supported	Mass fusion Single fusion

760253907 | FOSC-MSC-C8-V

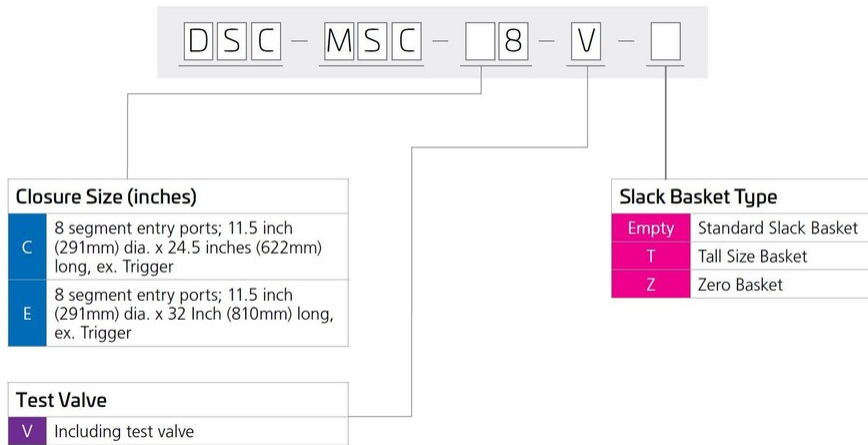
Dimensions

Length	622 mm 24.488 in
Length, with trigger	772 mm 30.394 in
Diameter	256 mm 10.079 in
Diameter, with clamp	291 mm 11.457 in
Main Cable Diameter, maximum	27 mm 1.063 in

Dimension Drawing



Ordering Tree



Material Specifications

Material Type Impact-resistant polymer

760253907 | FOSC-MS-C8-V

Environmental Specifications

Operating Temperature	-40 °C to +65 °C (-40 °F to +149 °F)
Environmental Space	Above ground Below ground Buried Manhole
Qualification Standards	IEC 60529, IP68 + 5 m waterhead IEC 61753-1 Ed2 (2018)
Water Resistance	Flash test valve at 5 psi (40 kPa)

Packaging and Weights

Included	Dome with seal and clamp Grounding kit (1) Innerframe Integrated slack storage tray (1) Removable base
Packaging quantity	1
Packaging Type	Box Carton
Weight, net	8.5 kg 18.739 lb

Regulatory Compliance/Certifications

Agency	Classification
CHINA-ROHS	Below maximum concentration value
ROHS	Compliant
UK-ROHS	Compliant

