

4

3

2

1

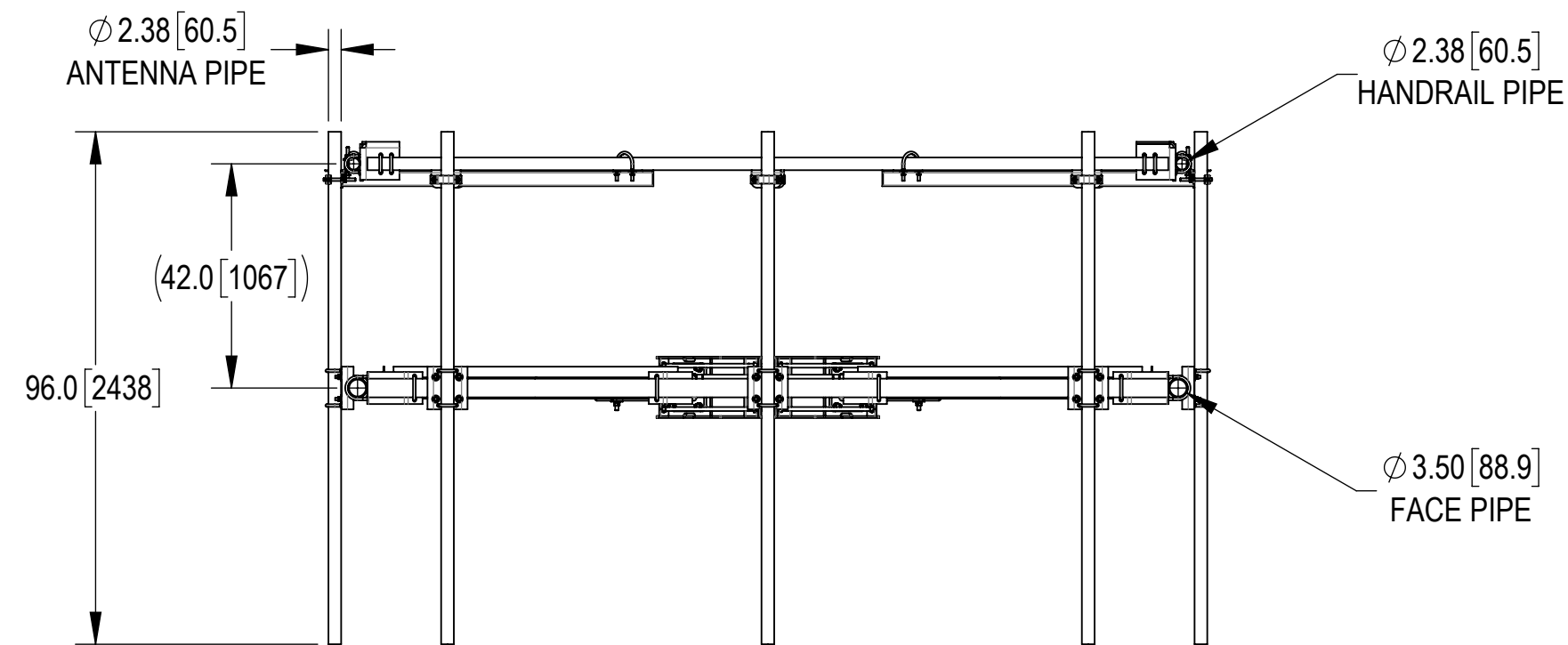
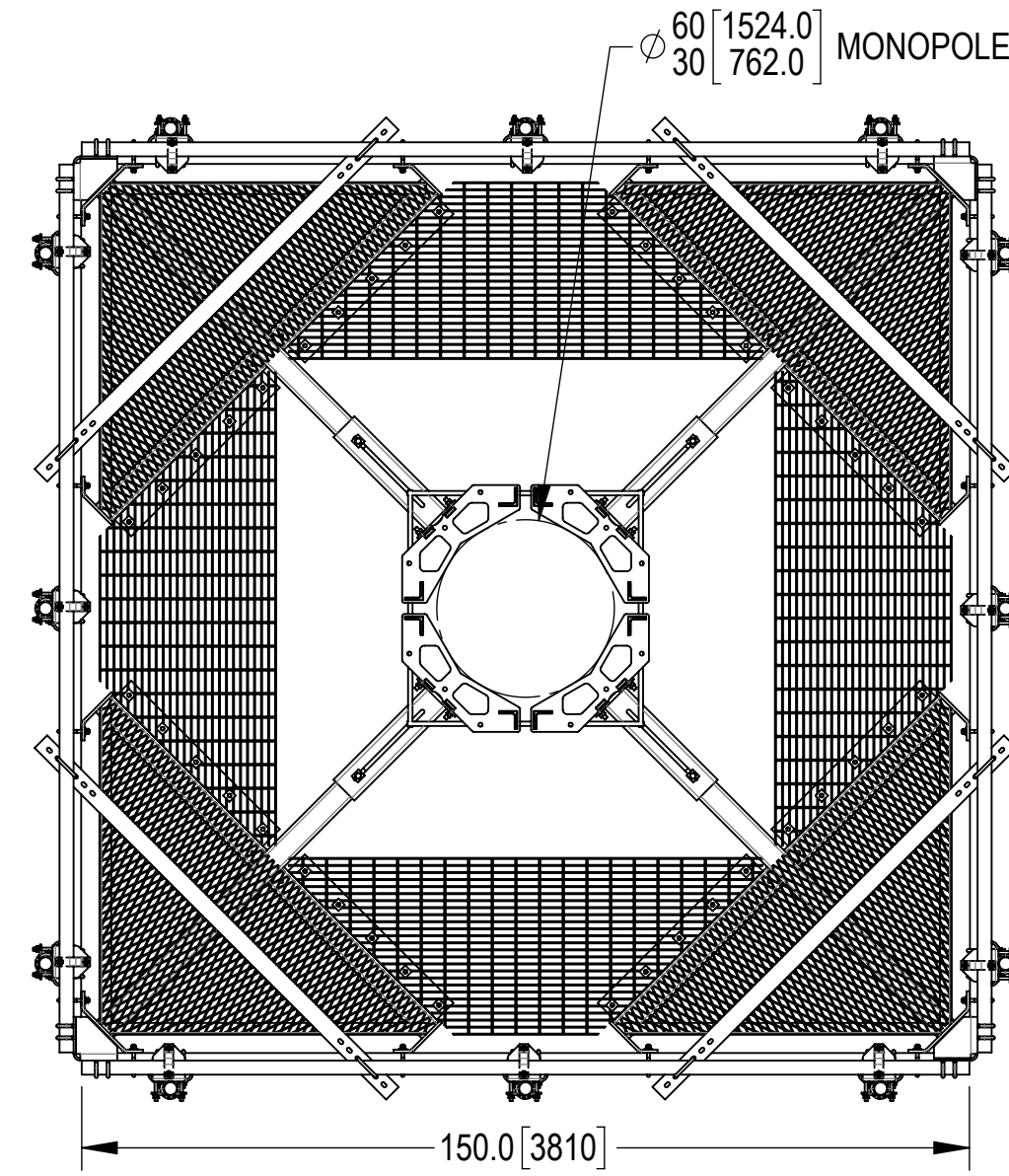
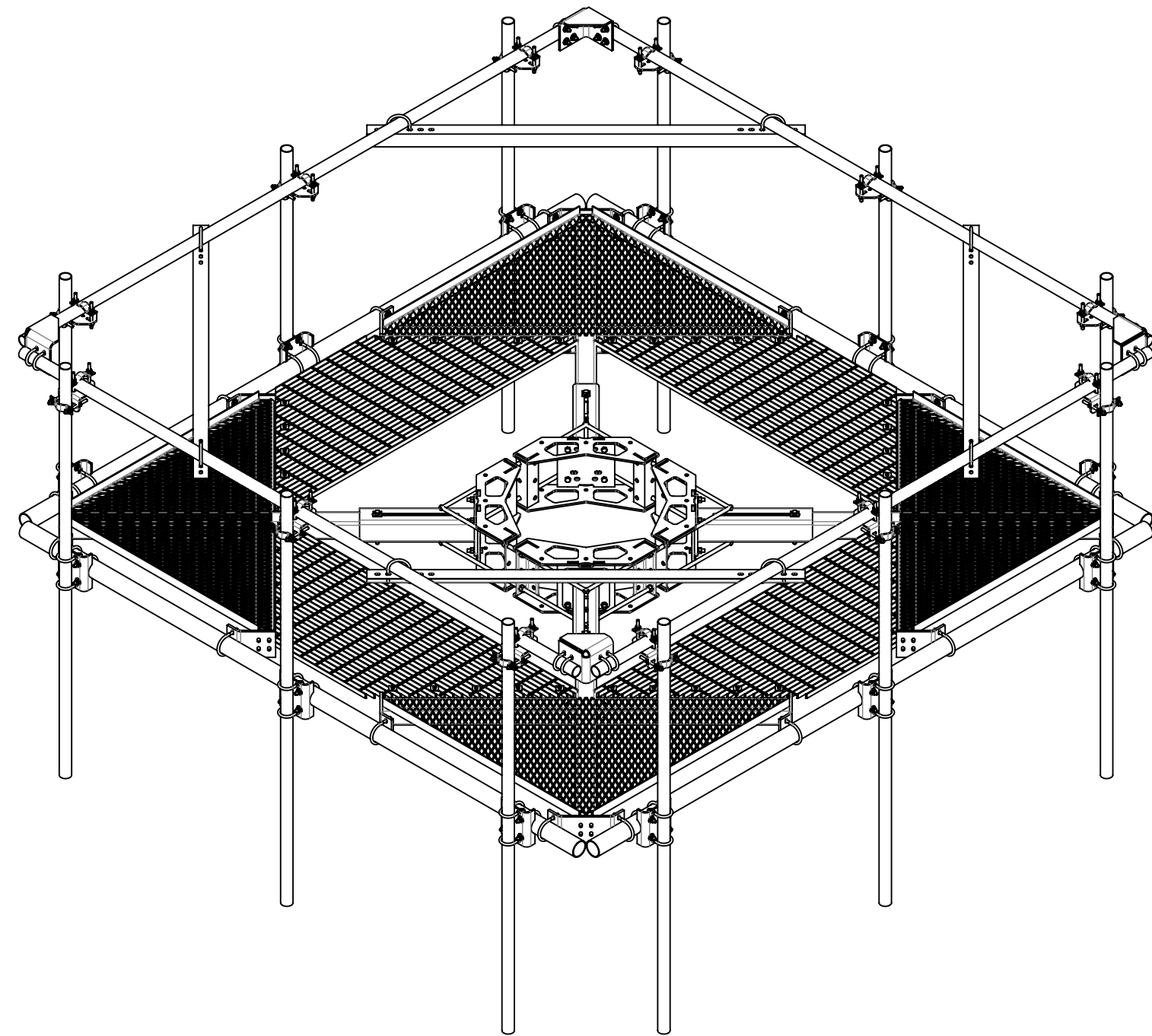
- 1.0 GENERAL NOTES
- 1.1 ALL METRIC DIMENSIONS ARE IN BRACKETS [X.X]
- 1.2 FOR PATENT INFO: <https://www.cs-pat.com>

- 2.0 DESIGN NOTES
- 2.1 ANY HAZARDS OR OBSTRUCTIONS TO THE CLIMBING FACILITY AND SAFETY CLIMB MUST BE IDENTIFIED PRIOR TO INSTALLING THE APPURTENANCE. ADDITIONAL PRODUCTS MAY BE REQUIRED TO MAINTAIN THE INTEGRITY OF THE SAFETY CLIMB. DURING INSTALLATION, TEMPORARY AND/OR PERMANENT PRECAUTIONARY MEASURES SHOULD BE TAKEN TO PRESERVE THE CLIMBING FACILITY AND/OR SAFETY CLIMB.
- 2.2 FITS MONOPOLES 30"-60" O.D.

- 3.0 MANUFACTURING/SPECIAL REQUIREMENTS
- 3.1 TIGHTEN ALL BOLTS SECURING FLAT PLATES BY THE TURN-OF-NUT METHOD. TIGHTEN ALL U-BOLTS USING TURN-OF-NUT METHOD WITH ATTENTION TO LEAVE EQUAL DISTANCE AND EQUAL FORCE ON EACH LEG OF THE U-BOLT.

- 4.0 TEST
- 5.0 PACKAGING
- 5.1 PACKAGING SHALL MEET COMMSCOPE REQUIREMENTS PER DOCUMENT IS-PL-3005
- 5.2 PRINTED DOCUMENT TO BE PLACED INSIDE POLYBAG AND THEN IN SHIPPING CONTAINER
- 5.3 EXTRA HARDWARE MAY BE SUPPLIED, BAGGED AND SHIPPED

REVISIONS			
REV.	DESCRIPTION	DATE	APPROVED
A	INITIAL RELEASE	MSM 10/13/14	800005445
B	UPDATED DRAWING TO NEW FORMAT	RY1002 16OCT24	BCROSS 40206808CMO



COMMSCOPE, INC. OF NORTH CAROLINA

TOLERANCES		SAP MATERIAL MASTER	
1 PLACE .X[X] ± 0.12[3.0]	3 PLACE .XXX[X] ± 0.030[0.8]	MC-PK12L4-12-96	
2 PLACE .XX[X] ± 0.06[1.5]	ANGLES ± 2°	FINISH	
FINISH		MATERIAL	

DENSITY	2936.51	lbs/in ³
MASS	2936.51	lbs
VOLUME	15010.85	in ³
SURFACE AREA	127384.78	in ²
HEIGHT	96"	
LENGTH	165"	
WIDTH	165"	

UNLESS OTHERWISE SPECIFIED DIMENSIONS ARE IN INCHES INTERPRET PER ANSI Y 14.5M-1994	NAME	DATE	TITLE
	CE MSM	10/13/14	4 SECTOR CO-LOCATION PLATFORM, 12' FACE
	RW RY1002	10/16/2024	
	AD YMENG	10/16/2024	
	RE RY1002	10/16/2024	
ECN 40206808CMO			
SCALE	DOCUMENT NO.	MC-PK12L4-12-96	
1:28			
SIZE	Auth Group	INSL	MODEL
C			
VERSION	STATUS	REVISION	DRAWING
02	RE	B	00
VERSION	STATUS	REVISION	SHEET
	RE	B	1 OF 3

4

3

2

1

PART NUMBERS, WEIGHTS, & EPA

TABLE 1: CONFIGURATIONS


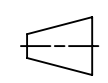
PART NUMBER	DESCRIPTION	WEIGHT (LBS)	(EPA)A (ft ²)*		(EPA)A 1/2" ICE THICKNESS (FT ²)*		ANTENNA PIPES	INCLUDED PARTS		
			MIN	MAX	MIN	MAX		MCPK12L4HB	MCPKL4SB	MCPK12L4SB
MC-PK12L4-12-96	4 SECTOR CO-LOCATION PLATFORM, 12' FACE	2936.51	36.64	37.78	46.05	47.46	12	1	1	1

* (EPA)A DOES NOT INCLUDE ANTENNA PIPES AND MOUNTING HARDWARE. IF DESIRED, ADD ANTENNA PIPE PER TABLE 2

TABLE 2: EPA OF EACH ANTENNA PIPE

ANTENNA PIPE	(EPA)A (FT ²)	(EPA)A W/ 1/2" ICE THICKNESS (FT ²)
2-3/8" X 96"	1.52	2.16

- NOTE:
1. ANTENNA PIPES ARE CONSIDERED SEPARATELY.
 2. KA FACTOR OF 4-SECTOR EPA INCLUDED.
 3. COMBINE THE ASSOCIATED EPA VALUES IN THE TABLES ABOVE TO DETERMINE THE EPA OF A MOUNT MODEL WITH A LISTED MOUNT PIPE CONFIGURATION.
FOR EXAMPLE, THE MINIMUM OF MC-PK12L4-12-96 HAS A EPA (A) OF 36.64 FT² WITH NO ICE PLUS 12 ANTENNA PIPES WITH A EPA (A) OF 12X1.52=18.24 FT² WITH NO ICE. SO, THE TOTAL EPA OF 54.88 FT² FOR THE MINIMUM OF MC-PK12L4-12-96.

COMMSCOPE, INC. OF NORTH CAROLINA				
TITLE 4 SECTOR CO-LOCATION PLATFORM, 12' FACE				
SIZE C	SCALE 1:30	DOCUMENT NO. MC-PK12L4-12-96		
 		DRAWING		SHEET
		VERSION 00	STATUS RE	REVISION B

4

3

2

1

4

3

2

1

D

D

C

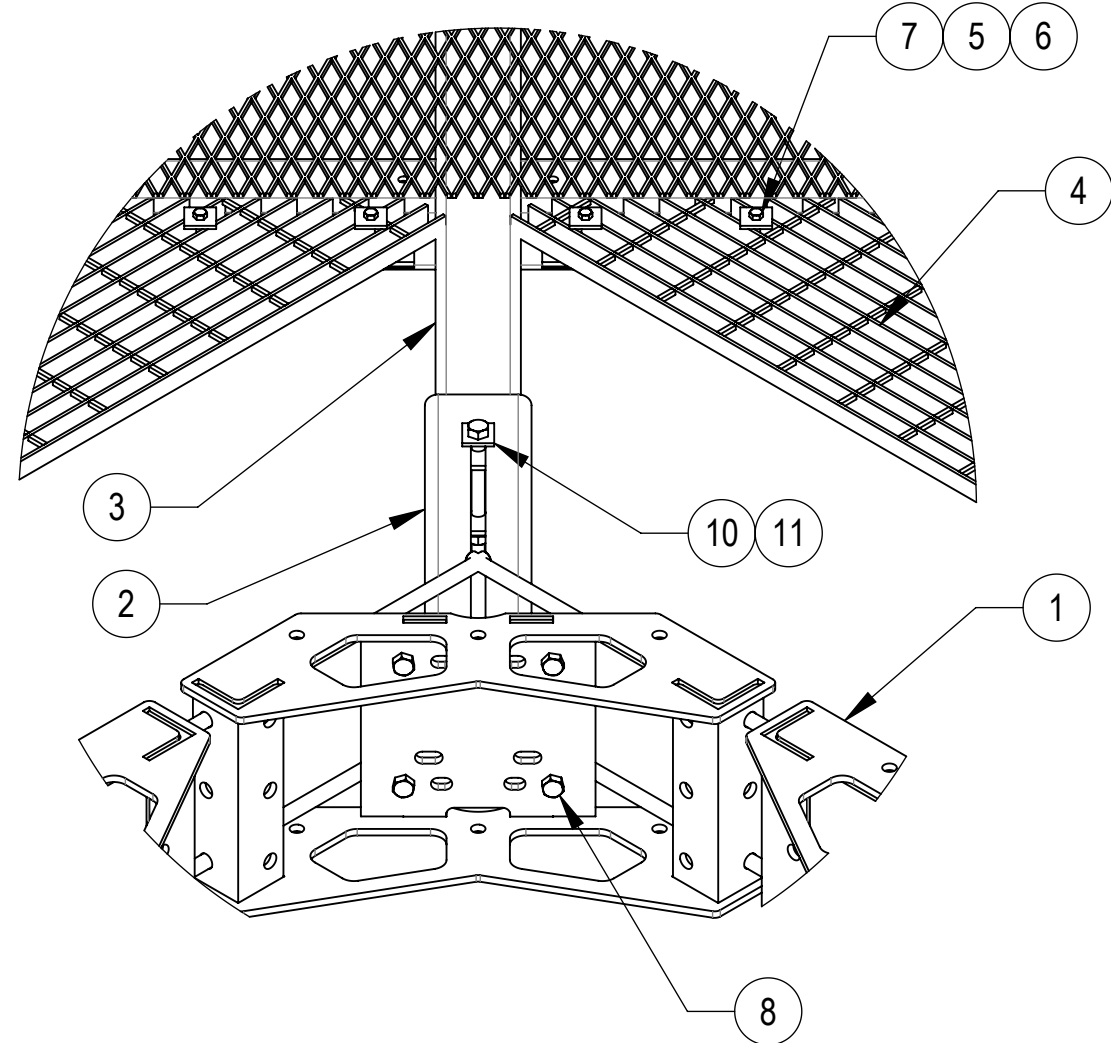
C

B

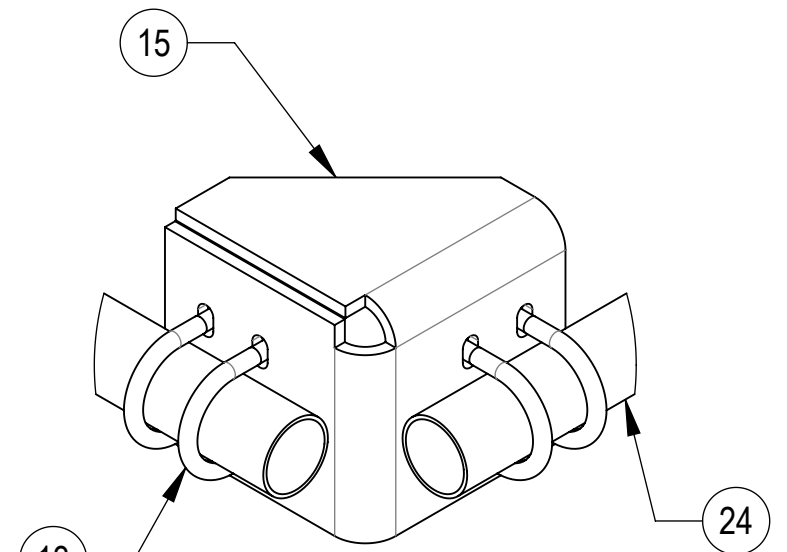
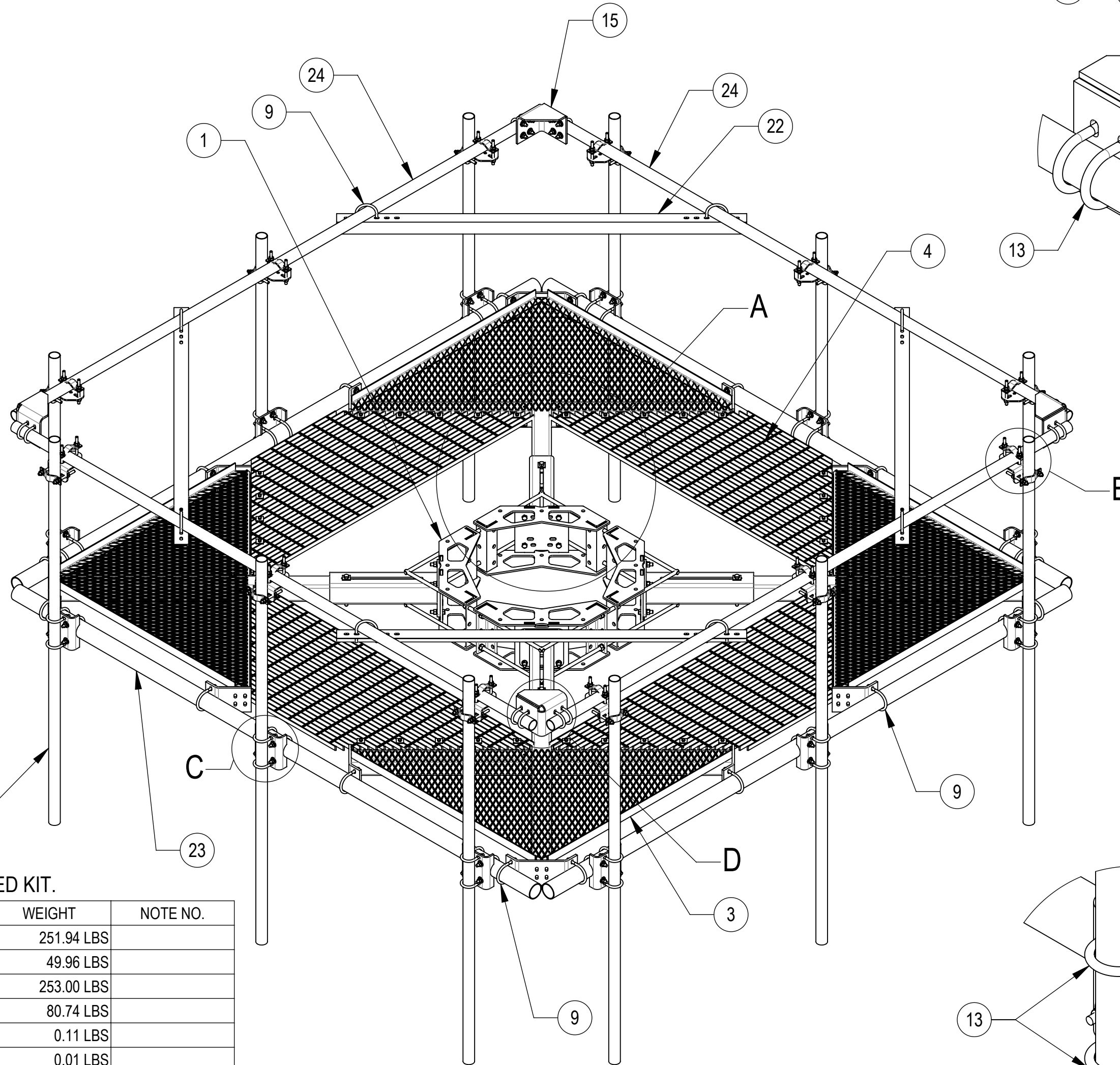
B

A

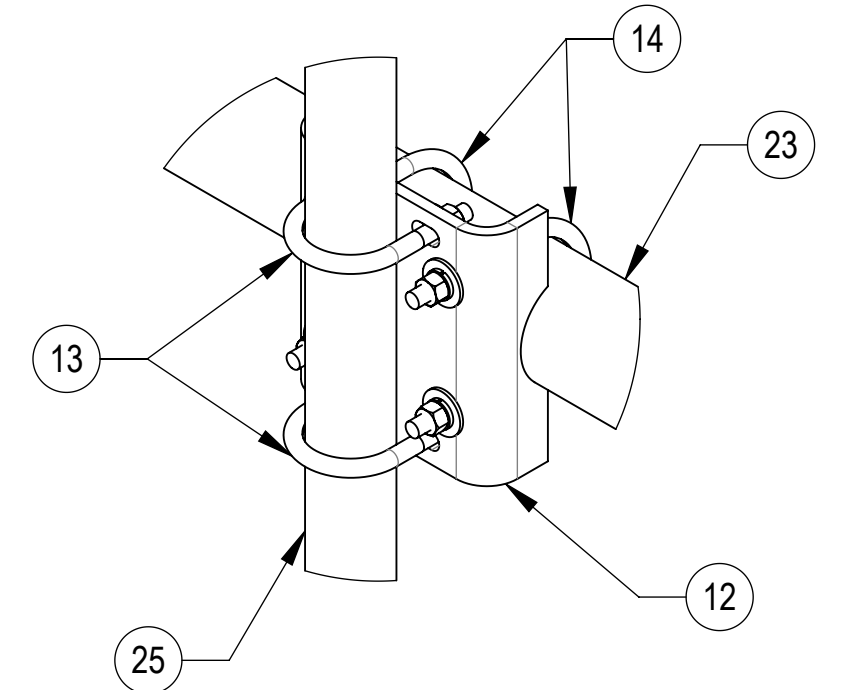
A



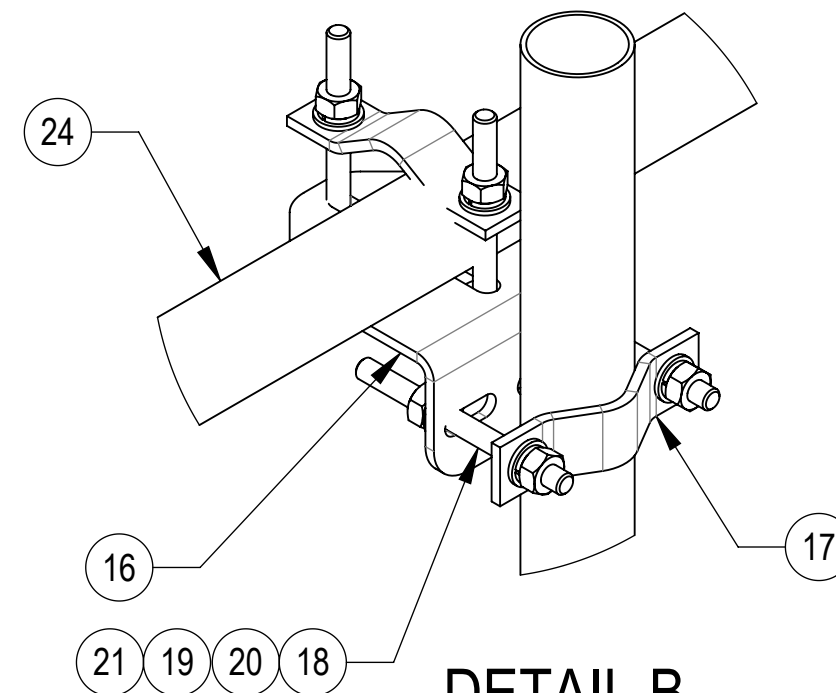
DETAIL A
SCALE 1 : 9



DETAIL D
SCALE 1 : 5



DETAIL C
SCALE 1 : 5



DETAIL B
SCALE 1 : 4

COMPONENT PART NUMBERS PROVIDED FOR ASSEMBLY PURPOSES;
INDIVIDUAL COMPONENTS MAY BE SHIPPED AS PARTS WITHIN AN INCLUDED KIT.

ITEM	PART NO.	DESCRIPTION	QTY.	WEIGHT	NOTE NO.
1	MC-RM3060-4	FOUR SECTOR RING MOUNT, 30-60 OD	1	251.94 LBS	
2	MTC820122	SLIDER TUBE FOR 30IN - 60IN	4	49.96 LBS	
3	MTC820121	PLATFORM WELDMENT	4	253.00 LBS	
4	MTC820131	PLATFORM GRATE	4	80.74 LBS	
5	MT-387	SQUARE WASHER 1-1/2"X1-1/2" W/ 7/16 HOLE	40	0.11 LBS	
6	GWF-03	3/8" GALV FLAT WASHER	40	0.01 LBS	
7	GB-03225	3/8" X 2-1/4" GALV BOLT KIT	40	0.09 LBS	
8	GB-0524A	5/8" X 2-1/2" GALV BOLT KIT (A325)	16	0.30 LBS	
9	GUB-4355	1/2" X 3-5/8" X 5" GALV U-BOLT	24	0.71 LBS	
10	MT389	WASHER, 1-1/2" X 1 5/8", 11/16" HOLE,SQ	8	0.11 LBS	
11	GB-0570A	5/8" X 7" GALV BOLT KIT A325	4	0.69 LBS	
12	MT21701	PIPE MOUNT PLATE	12	7.93 LBS	
13	GUB-4240	1/2" X 2-1/2" X 4" GALV U-BOLT	40	0.56 LBS	
14	GUB-4356	1/2" X 3-5/8" X 6" GALV U-BOLT	24	0.81 LBS	
15	MTC343201	CORNER BRACKET	4	13.18 LBS	
16	XAU01	ANGLE, CROSSOVER, 1.9-3.5" X 1.9-3.5" OD	12	2.98 LBS	
17	ACP10	1.5" - 3.5" O.D. CLAMP HALF	24	0.61 LBS	
18	MT-379-6	1/2" X 6" GALV THREADED ROD	48	0.33 LBS	
19	GWL-04	1/2" GALV LOCK WASHER	96	0.01 LBS	
20	GWF04A	1/2" GALV FLAT WASHER (A325)	96	0.02 LBS	
21	GN-04A	1/2" GALV HEX NUT (A194 2H)	96	0.07 LBS	
22	MTC343203	HANDRAIL SUPPORT ANGLE	4	25.62 LBS	
23	MT21601	PIPE, 3-1/2"OD X 150"	4	75.85 LBS	
24	MT-651-150	2.375" OD X 150" PIPE	4	36.34 LBS	
25	MT-651-96	2.375" OD X 96" PIPE	12	23.05 LBS	

COMMSCOPE, INC. OF NORTH CAROLINA				
TITLE 4 SECTOR CO-LOCATION PLATFORM, 12' FACE				
SIZE C	SCALE 1:20	DOCUMENT NO. MC-PK12L4-12-96		
DRAWING		VERSION	STATUS	REVISION
		00	RE	B
				SHEET 3 OF 3