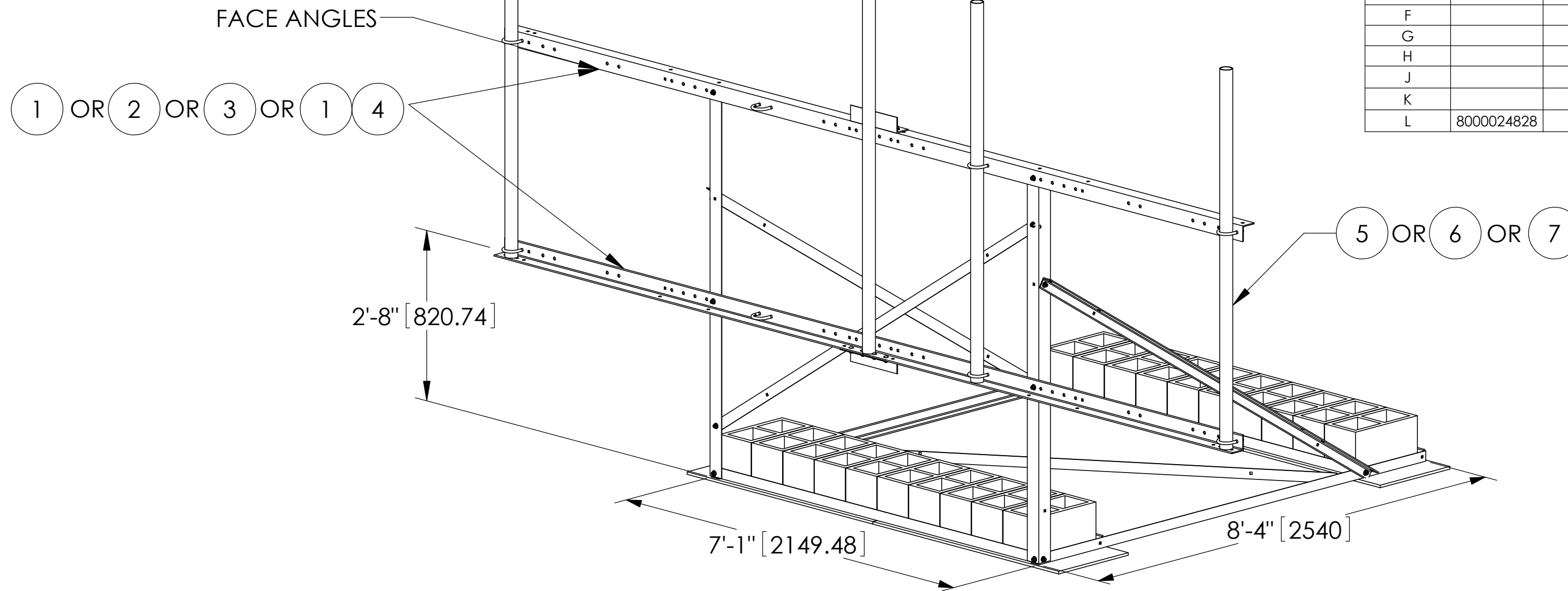



RF-N14-4-72 SHOWN

REVISIONS				
REV.	ECN	DESCRIPTION	BY	DATE
A		INITIAL RELEASE	JWB	12/13/00
B		ADDED SHEET 2	JR	02/21/01
C		CORRECTED ITEM BALLOONS & ADDED NOTES	LAP	07/23/01
D		UPDATED ITEMS 6-13, UPDATED DWG & FILE	CAM	11/29/01
E		ADDED ASSEMBLY DETAILS	ACG	12/24/02
F		ADDED 3 CONFIGURATIONS	ACG	09/19/03
G		REDRAWN IN SOLIDWORKS	ACG	06/23/06
H		REPLACE RFNB01 WITH RFNB11	ACG	12/01/06
J		UPDATE WEIGHT	ACG	04/20/09
K		UPDATE BOM	MSM	02/17/10
L	8000024828	REMOVED ROOF TOP TIE DOWN KIT (RF-TDK)	RJC	7/13/17



ITEM	PART NO.	DESCRIPTION	RFNB																								WEIGHT					
			RF-N7-B	RF-N7-2-72	RF-N7-2-96	RF-N7-2-126	RF-N10-B	RF-N10-2-96	RF-N10-3-72	RF-N10-3-96	RF-N10-3-126	RF-N10-4-72	RF-N10-4-96	RF-N10-4-126	RF-N12-B	RF-N12-2-96	RF-N12-3-72	RF-N12-3-96	RF-N12-3-126	RF-N12-4-72	RF-N12-4-96	RF-N12-4-126	RF-N14-B	RF-N14-2-96	RF-N14-3-72	RF-N14-3-96		RF-N14-3-126	RF-N14-4-72	RF-N14-4-96	RF-N14-4-126	
1	RFN701	NON-PEN. ROOF MOUNT 7' FACE ANGLE	-	2	2	2	-	-	-	-	-	-	-	-	-	-	-	-	-	-	-	-	-	4	4	4	4	4	4	4	4	28.74 LBS
2	RFN1001	NON-PEN. ROOF MOUNT 10' FACE ANGLE	-	-	-	-	2	2	2	2	2	2	2	-	-	-	-	-	-	-	-	-	-	-	-	-	-	-	-	-	37.95 LBS	
3	RFN1201	NON-PEN. ROOF MOUNT 12' FACE ANGLE	-	-	-	-	-	-	-	-	-	-	-	2	2	2	2	2	2	2	2	2	2	-	-	-	-	-	-	-	45.57 LBS	
4	RFN1401	NON-PEN. ROOF MOUNT 14' SPLICE ANGLE	-	-	-	-	-	-	-	-	-	-	-	-	-	-	-	-	-	-	-	-	2	2	2	2	2	2	2	2	3.63 LBS	
5	MT-651	2.375" OD x 72" PIPE	-	-	2	-	-	-	-	3	-	-	4	-	-	-	3	-	-	4	-	-	-	3	-	-	4	-	-	21.32 LBS		
6	MT-651-96	Ø 2.375" OD X 96" PIPE	-	-	-	2	-	-	2	-	3	-	-	4	-	-	2	-	3	-	-	4	-	-	2	-	3	-	-	4	23.05 LBS	
7	MT-537	Ø 2.375" OD x 126" PIPE	-	-	-	-	2	-	-	-	-	3	-	-	4	-	-	-	3	-	-	4	-	-	-	-	3	-	-	4	30.52 LBS	

- NOTES:**
- ALL METRIC DIMENSIONS ARE IN BRACKETS.
 - CONCRETE BLOCKS SHOWN ARE NOT INCLUDED.
 - WEIGHT DOES NOT INCLUDE CONCRETE BLOCKS, FACE ANGLES & PIPES.

<small>These drawings and specifications are the proprietary property of ANDREW CORPORATION and may be used only for the specific purpose authorized in writing by Andrew Corporation.</small>		DRAWN BY: ACG CHECKED BY: TP DATE: 06/23/06 REVISION: L	SHEET: 1 of 8 SCALE: NTS MATERIAL: A36, A53 FINISH: GALV A123 WEIGHT: 421.15 LBS	PART NUMBER: RF-N-Series DESCRIPTION: NON-PENETRATING ROOF FRAME DRAWING TYPE: ASSEMBLY DRAWING  ORLAND PARK, IL. 60462 U.S.A.
------------------------------------------------------------------------------------------------------------------------------------------------------------------------------------------------	--	------------------------------------------------------------------	----------------------------------------------------------------------------------------------	------------------------------------------------------------------------------------------------------------------------------------------------------------------------------------------------------------------------------

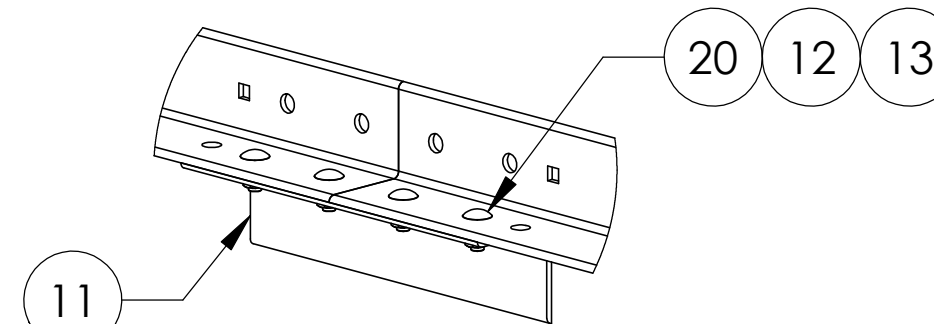
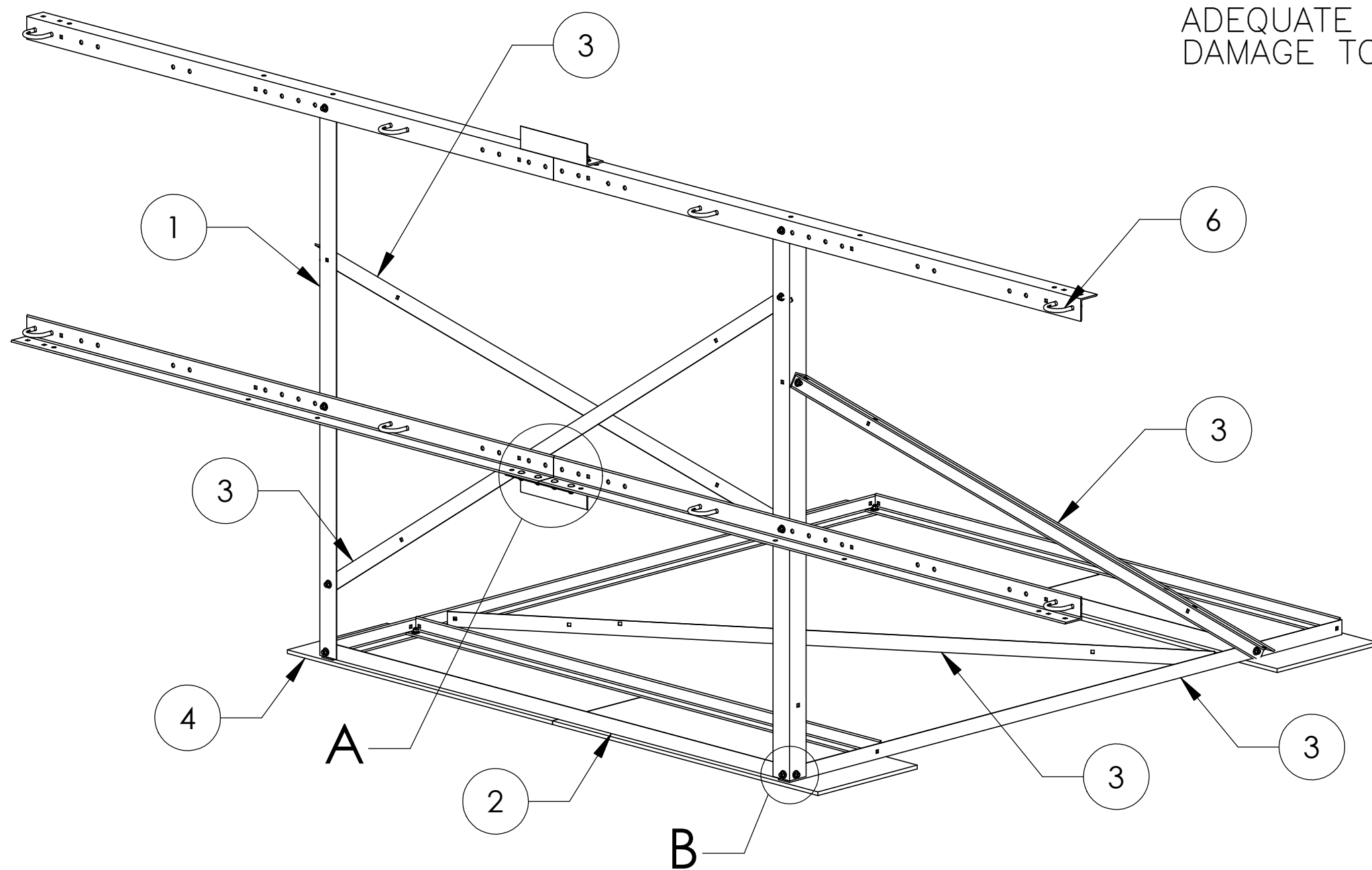
DO NOT SCALE THIS PRINT

ITEM	PART NO.	DESCRIPTION	QTY.	WEIGHT
1	RFNB11	NON-PEN. ROOF MOUNT BASE ANGLE 1	2	22.41 LBS
2	RFNB02	NON-PEN. ROOF MOUNT BASE ANGLE 2	4	16.70 LBS
3	RFNB03	NON-PEN. ROOF MOUNT BASE ANGLE 3	6	19.84 LBS
4	MT-F1637	RUBBER MAT .5" X 18" X 48"	4	15.61 LBS
5	RFNH	HARDWARE KIT (ITEMS 6-9)	1	
6	GUB-4240	1/2" X 2-1/2" X 4" GALV U-BOLT	8	0.56 LBS
7	MTF154402	3/8-16 X 1 Carriage Bolt Galv	24	0.01 LBS
8	GWL-03	3/8" GALV LOCK WASHER	32	0.01 LBS
9	GN-03	3/8" GALV HEX NUT	32	0.02 LBS

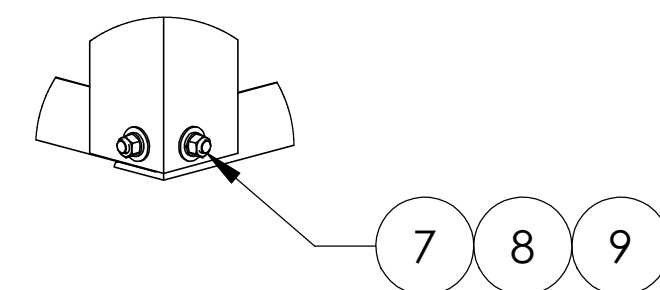
BILL OF MATERIAL FOR SPLICE KIT
SPLICE KIT IS ONLY USED WITH THE 14' ROOF MOUNT FACE

ITEM	PART NO.	DESCRIPTION	QTY.	WEIGHT
10	RFNSH	HARDWARE KIT (ITEMS 11-14)	1	
11	RFN1401	NON-PEN. ROOF MOUNT 14' SPLICE ANGLE	2	3.63 LBS
12	GWL-03	3/8" GALV LOCK WASHER	8	0.01 LBS
13	GN-03	3/8" GALV HEX NUT	8	0.02 LBS
20	MTF154402	3/8-16 X 1 Carriage Bolt Galv	32	0.01 LBS
21	RFNB11	NON-PEN. ROOF MOUNT BASE ANGLE 1	2	22.41 LBS

RF-N14-4-72 SHOWN



DETAIL A
SCALE 9 : 64



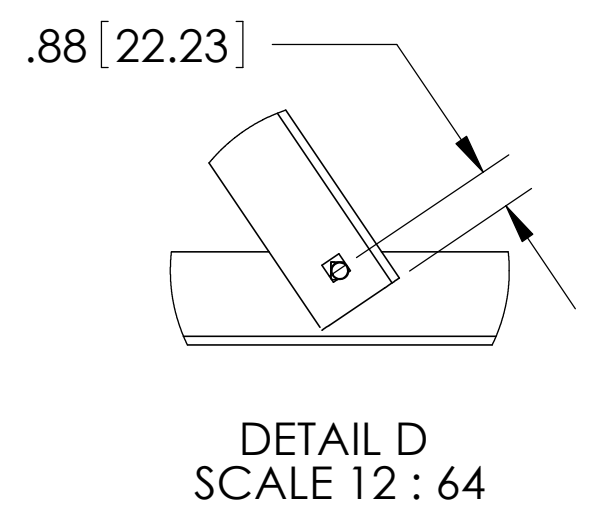
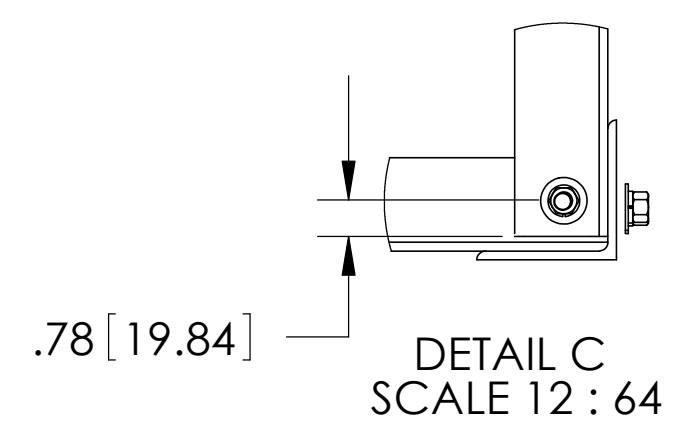
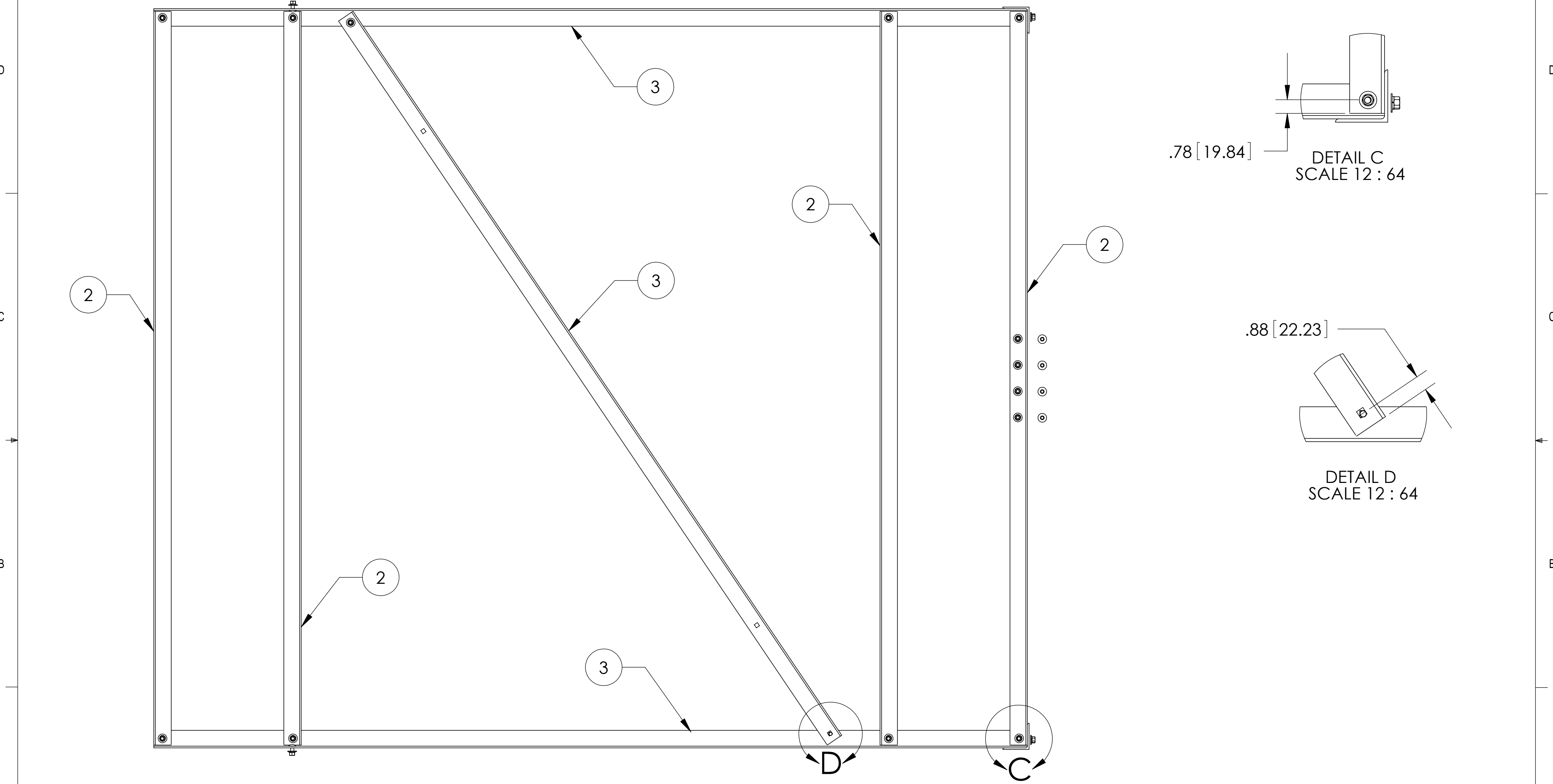
DETAIL B
SCALE 9 : 64

GENERAL NOTES:


1. PRIOR TO INSTALLATION VERIFY THAT THE INSTALLATION, ROOF MATERIAL, AND SUPPORTING STRUCTURE HAVE BEEN INVESTIGATED AND FOUND CAPABLE OF WITHSTANDING ALL LOADS IMPOSED BY THE PROPOSED ANTENNA SYSTEM. CONFIRM THAT THE SUPPORTED SURFACES, ANCHORS, AND/OR SAFETY CABLES, IF REQUIRED, HAVE BEEN FOUND TO BE ADEQUATE TO RESIST THE REACTIONS FROM THE ANTENNA SYSTEM, AND THAT THE INSTALLATION WILL BE IN CONFORMANCE WITH ALL APPLICABLE LOCAL, STATE, AND FEDERAL REQUIREMENTS
2. ALL ANTENNA INSTALLATIONS MUST BE GROUNDED TO MEET APPLICABLE CODES.
3. ADEQUATE BALLAST MATERIAL MUST BE DETERMINED AND PROVIDED BY OTHERS TO PREVENT OVERTURNING AND SLIDING AT THE DESIGN WIND LOAD.
4. ANDREW RECOMMENDS THAT BALLAST MATERIAL ALWAYS BE PLACED PRIOR TO MOUNTING THE ANTENNA, AND THAT ROOF PADS AND MOUNT BE SECURED TO PREVENT HAZARDS FROM OCCURRING UNDER EXTREME WIND LOADING CONDITIONS. PRECAUTIONS SHOULD ALWAYS BE TAKEN TO PREVENT THE INADVERTENT REMOVAL OF BALLAST MATERIAL AFTER INSTALLATION AND TO INSURE THAT BALLAST MATERIAL IS FULLY SUPPORTED BY THE BALLAST SUPPORT ANGLES (REQUIRED FOR BALLAST TO BE EFFECTIVE IN RESISTING OVERTURNING AND SLIDING).
5. WHEN ADHESIVES, SEALANTS, OR PADS ARE UTILIZED, THEY MUST BE COMPATIBLE WITH THE SUPPORTING SURFACE. THEY MUST ALSO BE DURABLE AND HAVE ADEQUATE STRENGTH. PRECAUTIONS SHOULD ALSO BE TAKEN TO INSURE THAT DAMAGE TO THE SUPPORTING SURFACE WILL NOT OCCUR UPON WIND LOADING.

<small>These drawings and specifications are the proprietary property of ANDREW CORPORATION and may be used only for the specific purpose authorized in writing by Andrew Corporation.</small> ALL DIMENSIONS ARE IN INCHES U.S.S. TOLERANCES UNLESS OTHERWISE SPECIFIED: .X = ± .06 ANGLES ±2' .XX = ± .03 FRACTIONS ±1/32 .XXX = ± .010 REMOVE BURRS AND BREAK EDGES .005 DO NOT SCALE THIS PRINT	DRAWN BY: ACG	SHEET: 2 of 8	PART NUMBER: RF-N-Series
	CHECKED BY: TP	SCALE: NTS	DESCRIPTION: NON-PENETRATING ROOF FRAME
	DATE: 06/23/06	MATERIAL: A36, A53	DRAWING TYPE: ASSEMBLY DRAWING
	REVISION: L	FINISH: GALV A123	WEIGHT: 421.15 LBS

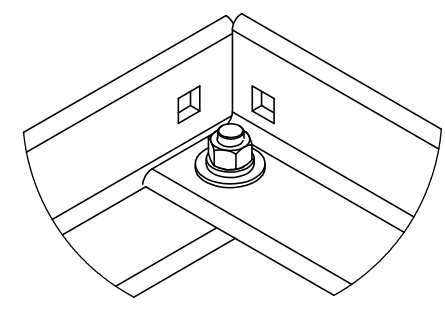
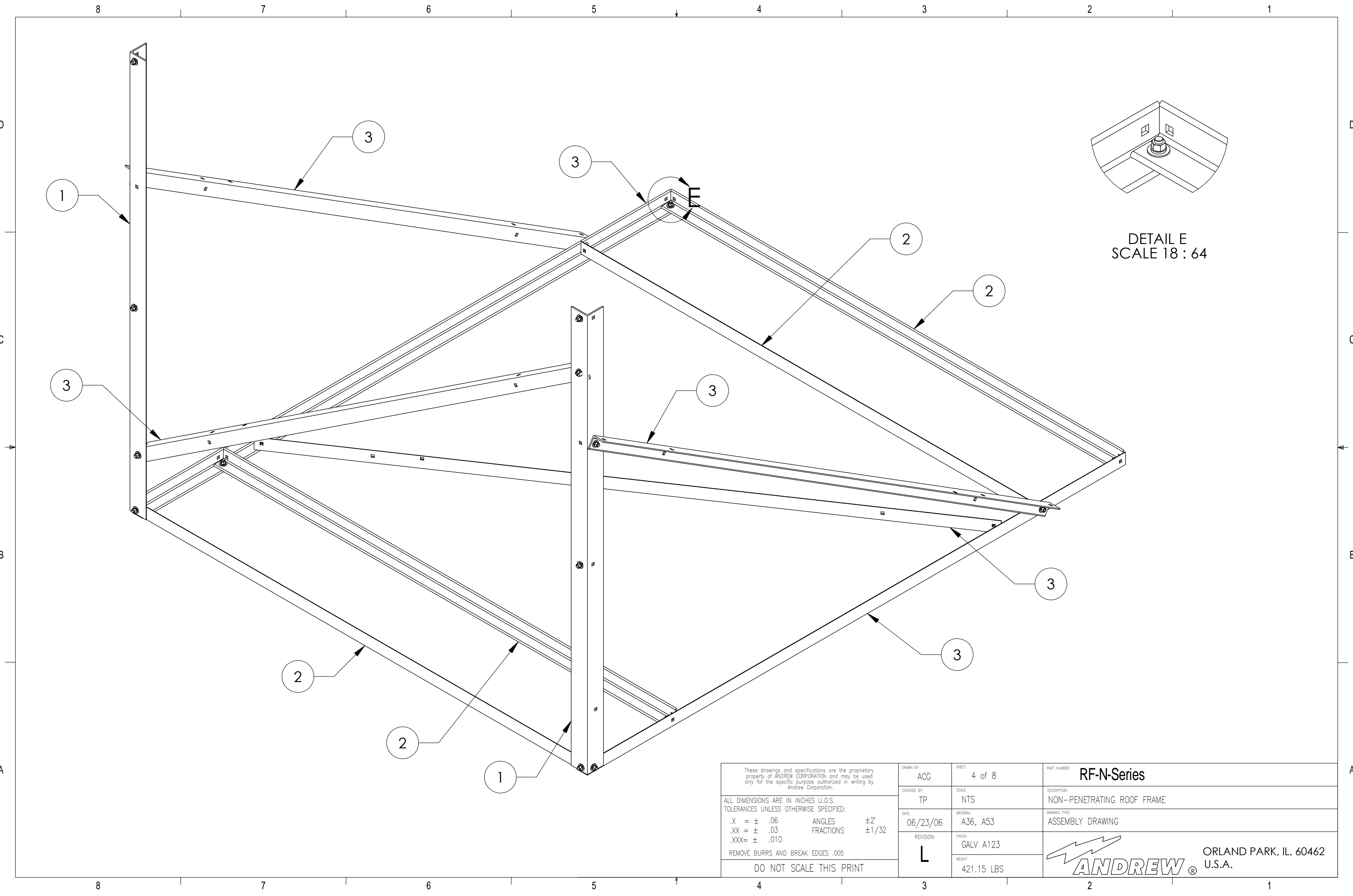
8 7 6 5 4 3 2 1




NOTES:
1. ALL METRIC DIMENSIONS ARE IN BRACKETS.

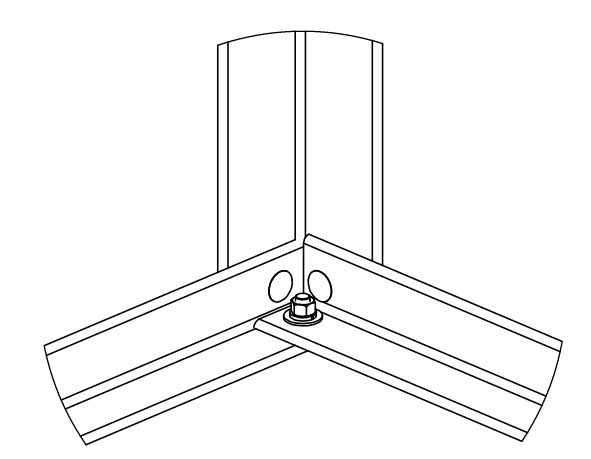
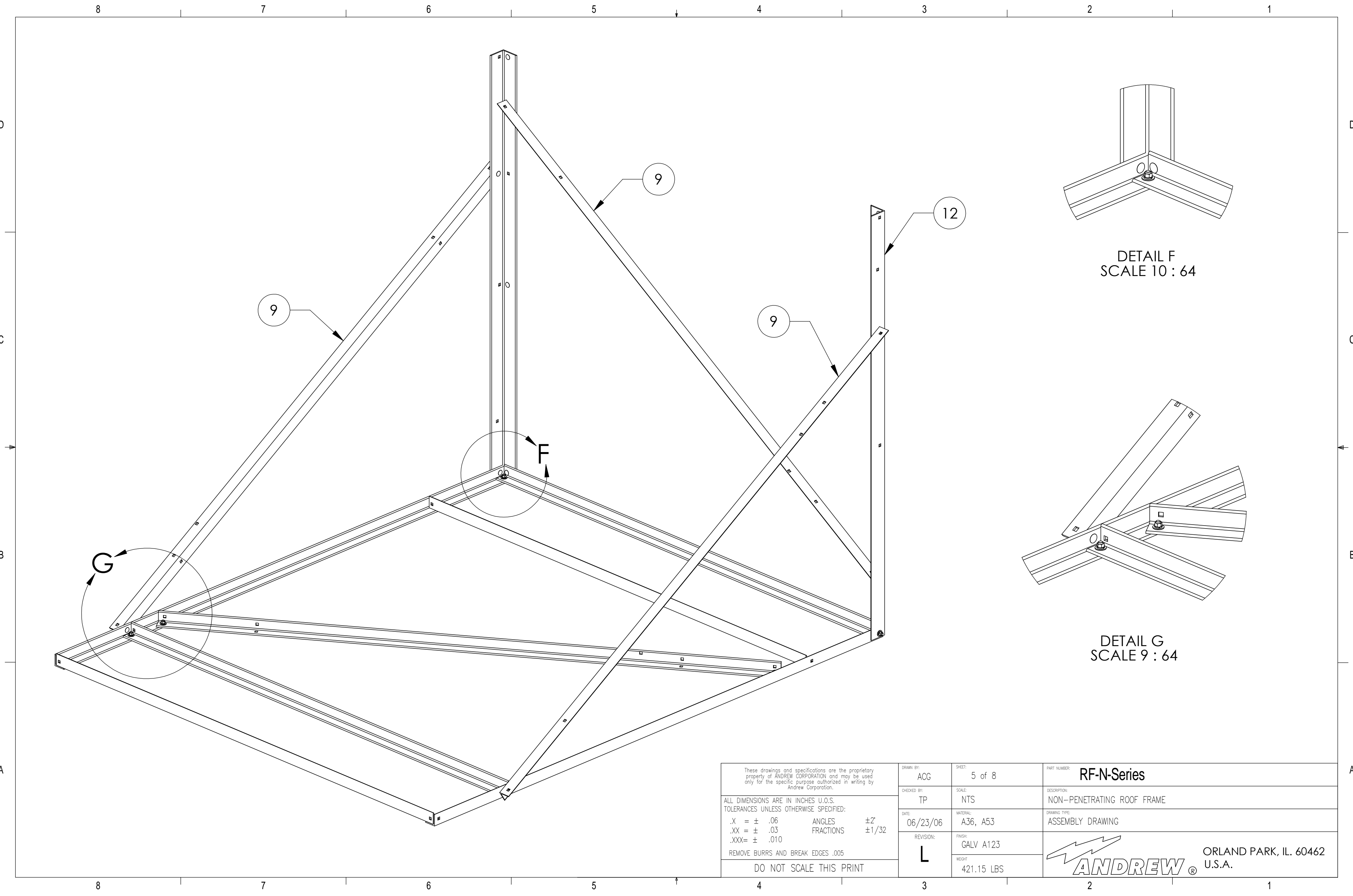
<small>These drawings and specifications are the proprietary property of ANDREW CORPORATION and may be used only for the specific purpose authorized in writing by Andrew Corporation.</small>		DRAWN BY: ACG	SHEET: 3 of 8	PART NUMBER: RF-N-Series
ALL DIMENSIONS ARE IN INCHES U.O.S. TOLERANCES UNLESS OTHERWISE SPECIFIED: .X = ± .06 ANGLES ±2' .XX = ± .03 FRACTIONS ±1/32 .XXX = ± .010 REMOVE BURRS AND BREAK EDGES .005		CHECKED BY: TP	SCALE: NTS	DESCRIPTION: NON-PENETRATING ROOF FRAME
DO NOT SCALE THIS PRINT		DATE: 06/23/06	MATERIAL: A36, A53	DRAWING TYPE: ASSEMBLY DRAWING
		REVISION: L	FINISH: GALV A123	 ORLAND PARK, IL. 60462 U.S.A.
			WEIGHT: 421.15 LBS	

8 7 6 5 4 3 2 1

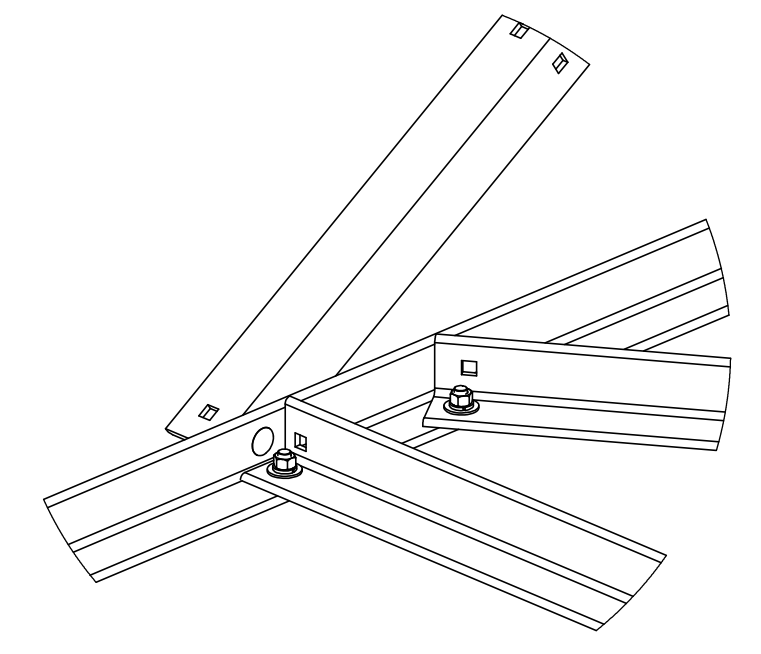


DETAIL E
SCALE 18 : 64

<p>These drawings and specifications are the proprietary property of ANDREW CORPORATION and may be used only for the specific purpose authorized in writing by Andrew Corporation.</p> <p>ALL DIMENSIONS ARE IN INCHES U.O.S. TOLERANCES UNLESS OTHERWISE SPECIFIED:</p> <p>.X = ± .06 ANGLES ±2° .XX = ± .03 FRACTIONS ±1/32 .XXX = ± .010</p> <p>REMOVE BURRS AND BREAK EDGES .005</p> <p>DO NOT SCALE THIS PRINT</p>	<p>DRAWN BY: ACG</p>	<p>SHEET: 4 of 8</p>	<p>PART NUMBER: RF-N-Series</p>
	<p>CHECKED BY: TP</p>	<p>SCALE: NTS</p>	<p>DESCRIPTION: NON-PENETRATING ROOF FRAME</p>
	<p>DATE: 06/23/06</p>	<p>MATERIAL: A36, A53</p>	<p>DRAWING TYPE: ASSEMBLY DRAWING</p>
	<p>REVISION: L</p>	<p>FINISH: GALV A123</p> <p>WEIGHT: 421.15 LBS</p>	 <p>ORLAND PARK, IL. 60462 U.S.A.</p>

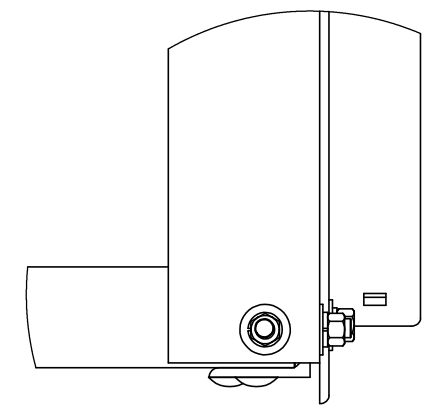


DETAIL F
SCALE 10 : 64

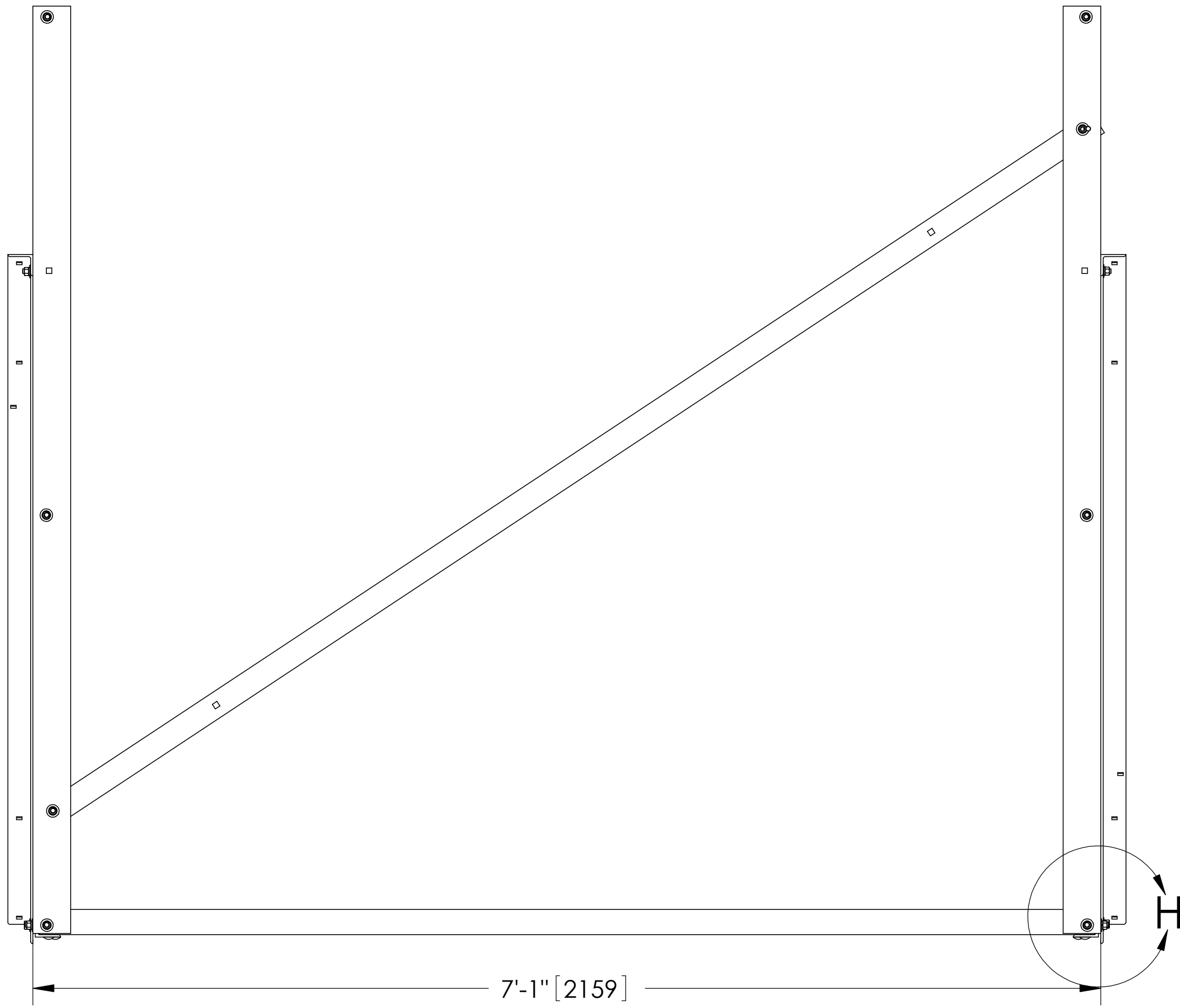


DETAIL G
SCALE 9 : 64

<p>These drawings and specifications are the proprietary property of ANDREW CORPORATION and may be used only for the specific purpose authorized in writing by Andrew Corporation.</p> <p>ALL DIMENSIONS ARE IN INCHES U.O.S. TOLERANCES UNLESS OTHERWISE SPECIFIED:</p> <p>.X = ± .06 ANGLES ±2° .XX = ± .03 FRACTIONS ±1/32 .XXX = ± .010</p> <p>REMOVE BURRS AND BREAK EDGES .005</p> <p>DO NOT SCALE THIS PRINT</p>	<p>DRAWN BY: ACG</p>	<p>SHEET: 5 of 8</p>	<p>PART NUMBER: RF-N-Series</p>
	<p>CHECKED BY: TP</p>	<p>SCALE: NTS</p>	<p>DESCRIPTION: NON-PENETRATING ROOF FRAME</p>
	<p>DATE: 06/23/06</p>	<p>MATERIAL: A36, A53</p>	<p>DRAWING TYPE: ASSEMBLY DRAWING</p>
	<p>REVISION: L</p>	<p>FINISH: GALV A123</p>	<p>WEIGHT: 421.15 LBS</p>




DETAIL H
SCALE 13 : 64



7'-1" [2159]

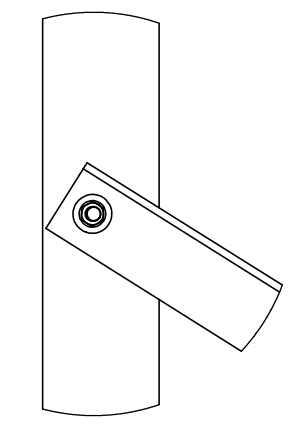
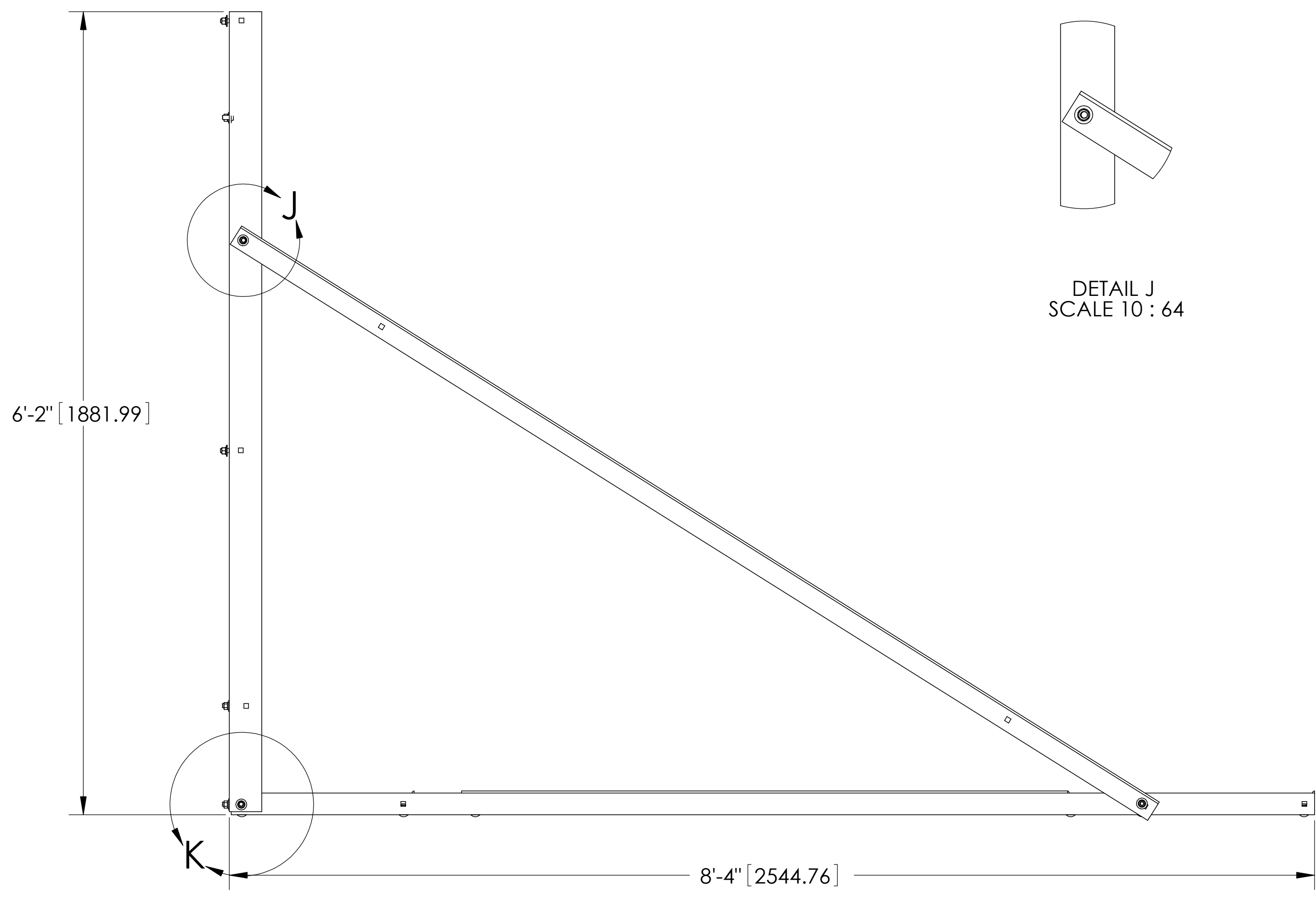
NOTES:
1. ALL METRIC DIMENSIONS ARE IN BRACKETS.

<small>These drawings and specifications are the proprietary property of ANDREW CORPORATION and may be used only for the specific purpose authorized in writing by Andrew Corporation.</small> <small>ALL DIMENSIONS ARE IN INCHES U.O.S. TOLERANCES UNLESS OTHERWISE SPECIFIED:</small> <small>.X = ± .06 ANGLES ±2'</small> <small>.XX = ± .03 FRACTIONS ±1/32</small> <small>.XXX = ± .010</small> <small>REMOVE BURRS AND BREAK EDGES .005</small> DO NOT SCALE THIS PRINT	<small>DRAWN BY:</small> ACG	<small>SHEET:</small> 6 of 8	<small>PART NUMBER:</small> RF-N-Series
	<small>CHECKED BY:</small> TP	<small>SCALE:</small> NTS	<small>DESCRIPTION:</small> NON-PENETRATING ROOF FRAME
	<small>DATE:</small> 06/23/06	<small>MATERIAL:</small> A36, A53	<small>DRAWING TYPE:</small> ASSEMBLY DRAWING
	<small>REVISION:</small> L	<small>FINISH:</small> GALV A123 <small>WEIGHT:</small> 421.15 LBS	 ORLAND PARK, IL. 60462 U.S.A.

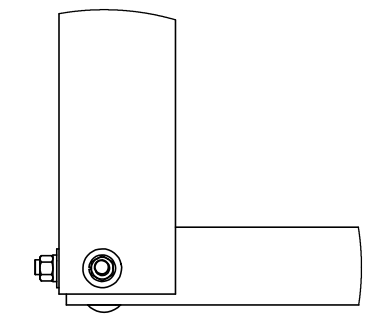
8 7 6 5 4 3 2 1

D
C
B
A

D
C
B
A




DETAIL J
SCALE 10 : 64

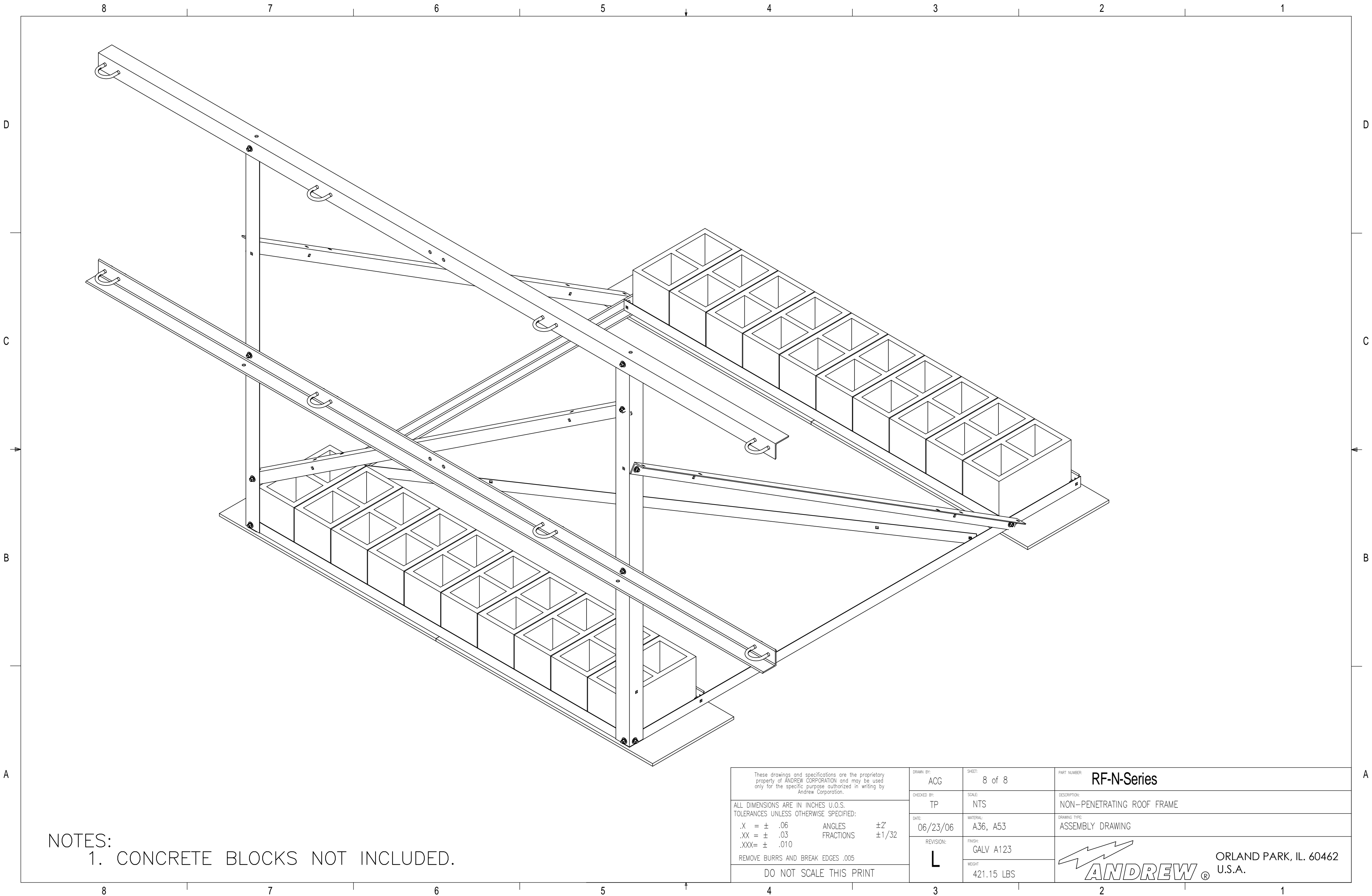


DETAIL K
SCALE 10 : 64


NOTES:
1. ALL METRIC DIMENSIONS ARE IN BRACKETS.

<small>These drawings and specifications are the proprietary property of ANDREW CORPORATION and may be used only for the specific purpose authorized in writing by Andrew Corporation.</small> <small>ALL DIMENSIONS ARE IN INCHES U.O.S. TOLERANCES UNLESS OTHERWISE SPECIFIED:</small> <small>.X = ± .06 ANGLES ±2'</small> <small>.XX = ± .03 FRACTIONS ±1/32</small> <small>.XXX = ± .010</small> <small>REMOVE BURRS AND BREAK EDGES .005</small> DO NOT SCALE THIS PRINT	<small>DRAWN BY:</small> ACG	<small>SHEET:</small> 7 of 8	<small>PART NUMBER:</small> RF-N-Series
	<small>CHECKED BY:</small> TP	<small>SCALE:</small> NTS	<small>DESCRIPTION:</small> NON-PENETRATING ROOF FRAME
	<small>DATE:</small> 06/23/06	<small>MATERIAL:</small> A36, A53	<small>DRAWING TYPE:</small> ASSEMBLY DRAWING
	<small>REVISION:</small> L	<small>FINISH:</small> GALV A123 <small>WEIGHT:</small> 421.15 LBS	 ANDREW <small>ORLAND PARK, IL. 60462 U.S.A.</small>

8 7 6 5 4 3 2 1



NOTES:
 1. CONCRETE BLOCKS NOT INCLUDED.

<small>These drawings and specifications are the proprietary property of ANDREW CORPORATION and may be used only for the specific purpose authorized in writing by Andrew Corporation.</small> <small>ALL DIMENSIONS ARE IN INCHES U.O.S. TOLERANCES UNLESS OTHERWISE SPECIFIED:</small> <small>.X = ± .06 ANGLES ±2'</small> <small>.XX = ± .03 FRACTIONS ±1/32</small> <small>.XXX = ± .010</small> <small>REMOVE BURRS AND BREAK EDGES .005</small> <small>DO NOT SCALE THIS PRINT</small>	<small>DRAWN BY:</small> ACG	<small>SHEET:</small> 8 of 8	<small>PART NUMBER:</small> RF-N-Series
	<small>CHECKED BY:</small> TP	<small>SCALE:</small> NTS	<small>DESCRIPTION:</small> NON-PENETRATING ROOF FRAME
	<small>DATE:</small> 06/23/06	<small>MATERIAL:</small> A36, A53	<small>DRAWING TYPE:</small> ASSEMBLY DRAWING
	<small>REVISION:</small> L	<small>FINISH:</small> GALV A123 <small>WEIGHT:</small> 421.15 LBS	 <small>ORLAND PARK, IL. 60462 U.S.A.</small>