

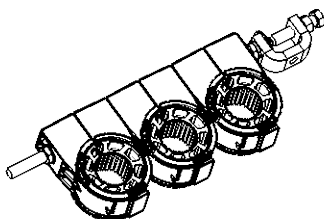
## CABLE HANGER, 1- 3 RUN, FOR HELIAX MODULAR CABLES

Bulletin 7852958

Revision D page 1 of 2

Commscope recommends triple cable stack maximum.

### Overview



| SHK 158 Hanger + Grommet series |                                     |                      |                      |
|---------------------------------|-------------------------------------|----------------------|----------------------|
| Part Number                     | DESCRIPTION                         | Cable diameter range | Total cable quantity |
| SHK-2531-3-P-10                 | CABLE HANGER, 25 TO 31MM, 3-RUN, 10 | 25 to 31mm           | 3                    |
| SHK-2937-3-P-10                 | CABLE HANGER, 29 TO 37MM, 3-RUN, 10 | 29 to 37mm           | 3                    |
| SHK-3641-3-P-10                 | CABLE HANGER, 36 TO 41MM, 3-RUN, 10 | 36 to 41mm           | 3                    |
| SHK-3944-3-P-10                 | CABLE HANGER, 39 TO 44MM, 3-RUN, 10 | 39 to 44mm           | 3                    |
| SHK-2531-2-P-10                 | CABLE HANGER, 25 TO 31MM, 2-RUN, 10 | 25 to 31mm           | 2                    |
| SHK-2937-2-P-10                 | CABLE HANGER, 29 TO 37MM, 2-RUN, 10 | 29 to 37mm           | 2                    |
| SHK-3641-2-P-10                 | CABLE HANGER, 36 TO 41MM, 2-RUN, 10 | 36 to 41mm           | 2                    |
| SHK-3944-2-P-10                 | CABLE HANGER, 39 TO 44MM, 2-RUN, 10 | 39 to 44mm           | 2                    |
| SHK-2531-1-P-10                 | CABLE HANGER, 25 TO 31MM, 1-RUN, 10 | 25 to 31mm           | 1                    |
| SHK-2937-1-P-10                 | CABLE HANGER, 29 TO 37MM, 1-RUN, 10 | 29 to 37mm           | 1                    |
| SHK-3641-1-P-10                 | CABLE HANGER, 36 TO 41MM, 1-RUN, 10 | 36 to 41mm           | 1                    |
| SHK-3944-1-P-10                 | CABLE HANGER, 39 TO 44MM, 1-RUN, 10 | 39 to 44mm           | 1                    |

CommScope  
 1100 CommScope Place SE P.O. Box 339, Hickory, NC 28603-0339  
 (828) 324-2200 (800) 982-1708  
 www.commscope.com

Customer Service 24 hours  
 North America: +1-800-255-1479 (toll free)  
 Any country: +1-779-435-6500  
 email: acicustomersupportcenter@commscope.com

Notice: CommScope disclaims any liability or responsibility for the results of improper or unsafe installation, inspection, maintenance, or removal practices.  
 Aviso: CommScope no acepta ninguna obligación ni responsabilidad como resultado de prácticas incorrectas o peligrosas de instalación, inspección, mantenimiento o retiro.  
 Avis : CommScope décline toute responsabilité pour les conséquences de procédures d'installation, d'inspection, d'entretien ou de retrait incorrectes ou dangereuses.  
 Hinweis: CommScope lehnt jede Haftung oder Verantwortung für Schäden ab, die aufgrund unsachgemäßer Installation, Überprüfung, Wartung oder Demontage auftreten.  
 Atenção: A CommScope abdica do direito de toda responsabilidade pelos resultados de práticas inadequadas e sem segurança de instalação, inspeção, manutenção ou remoção.  
 Avvertenza: CommScope declina eventuali responsabilità derivanti dall'esecuzione di procedure di installazione, ispezione, manutenzione e smontaggio improprie o poco sicure.

注意: CommScope 公司申明對於不恰當或不安全的安裝、檢驗、維修或拆卸操作所導致的後果不負責任 何義務和責任

© May, 2020 CommScope

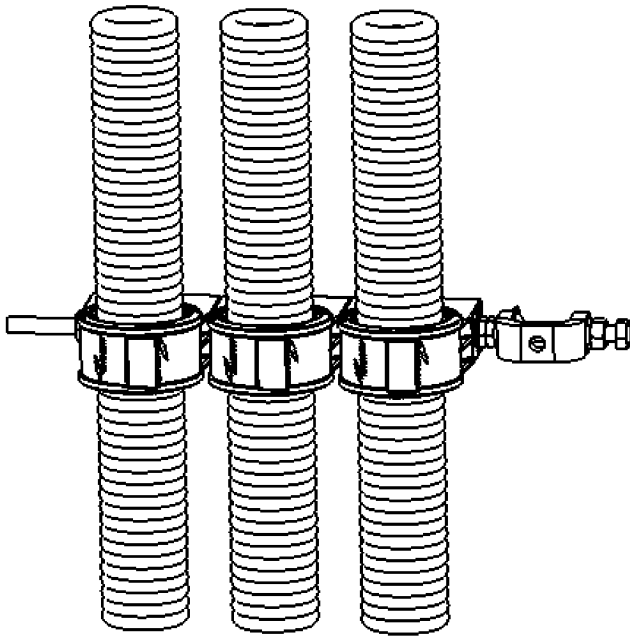
## CABLE HANGER, 1-3RUN, FOR HELIAX MODULAR CABLES

Bulletin 7852958

Revision D page 2 of 2

Commscope recommends triple cable stack maximum.

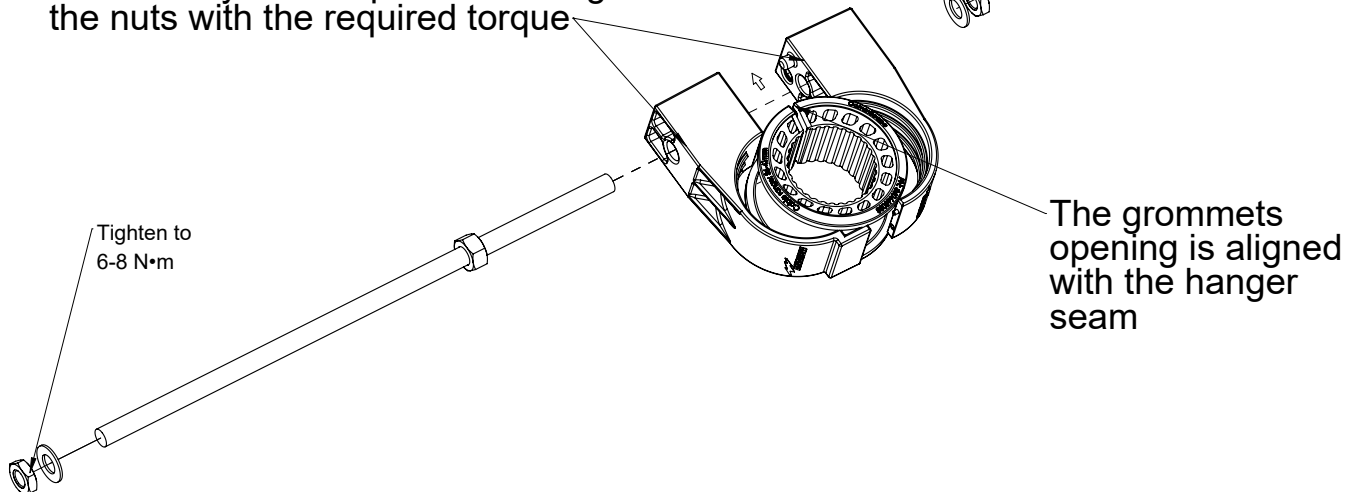
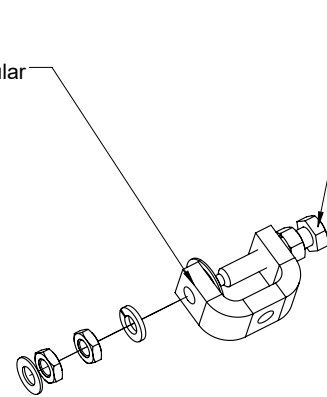
### Single Hanger Kits



Once the grommets is in place, squeeze the cable hanger with one hand to ensure they remain parallel and tighten the nuts with the required torque

Angle adapter  
Adaptador angular

3.5 - 4.5 N•m



**CommScope**  
1100 CommScope Place SE P.O. Box 339, Hickory, NC 28603-0339  
(828) 324-2200 (800) 982-1708  
www.commscope.com

**Customer Service 24 hours**  
North America: +1-800-255-1479 (toll free)  
Any country: +1-779-435-6500  
email: acicustomersupportcenter@commscope.com

Notice: CommScope disclaims any liability or responsibility for the results of improper or unsafe installation, inspection, maintenance, or removal practices.  
Aviso: CommScope no acepta ninguna obligación ni responsabilidad como resultado de prácticas incorrectas o peligrosas de instalación, inspección, mantenimiento o retiro.  
Avis : CommScope décline toute responsabilité pour les conséquences de procédures d'installation, d'inspection, d'entretien ou de retrait incorrectes ou dangereuses.  
Hinweis: CommScope lehnt jede Haftung oder Verantwortung für Schäden ab, die aufgrund unsachgemäßer Installation, Überprüfung, Wartung oder Demontage auftreten.  
Atenção: A CommScope abdica do direito de toda responsabilidade pelos resultados de práticas inadequadas e sem segurança de instalação, inspeção, manutenção ou remoção.  
Avvertenza: CommScope declina eventuali responsabilità derivanti dall'esecuzione di procedure di installazione, ispezione, manutenzione e smontaggio improprie o poco sicure.

注意: CommScope 公司申明對於不恰當或不安全的安裝、檢驗、維修或拆卸操作所導致的後果不負責任 何義務和責任

© May, 2020 CommScope