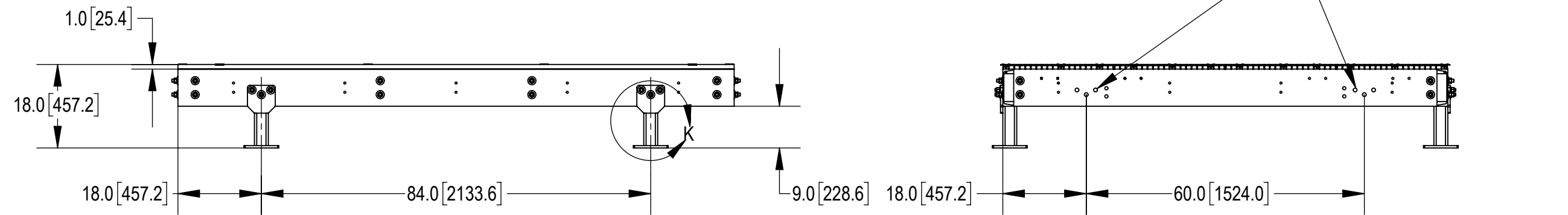
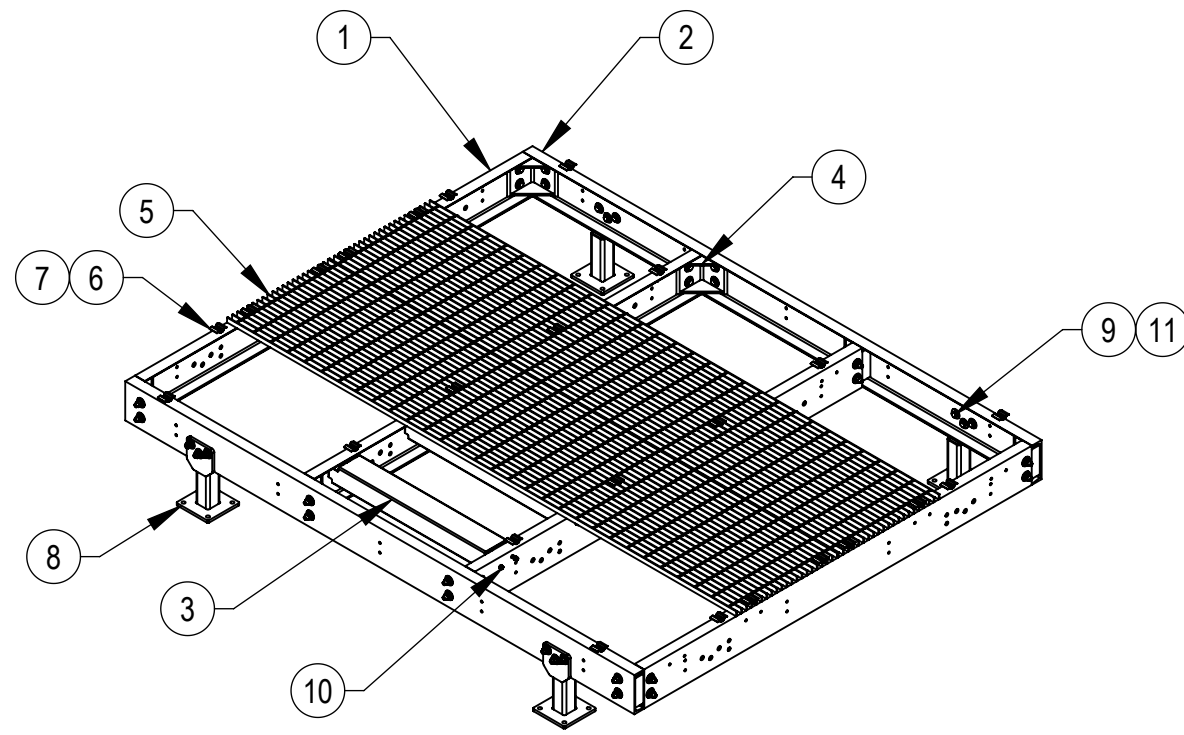
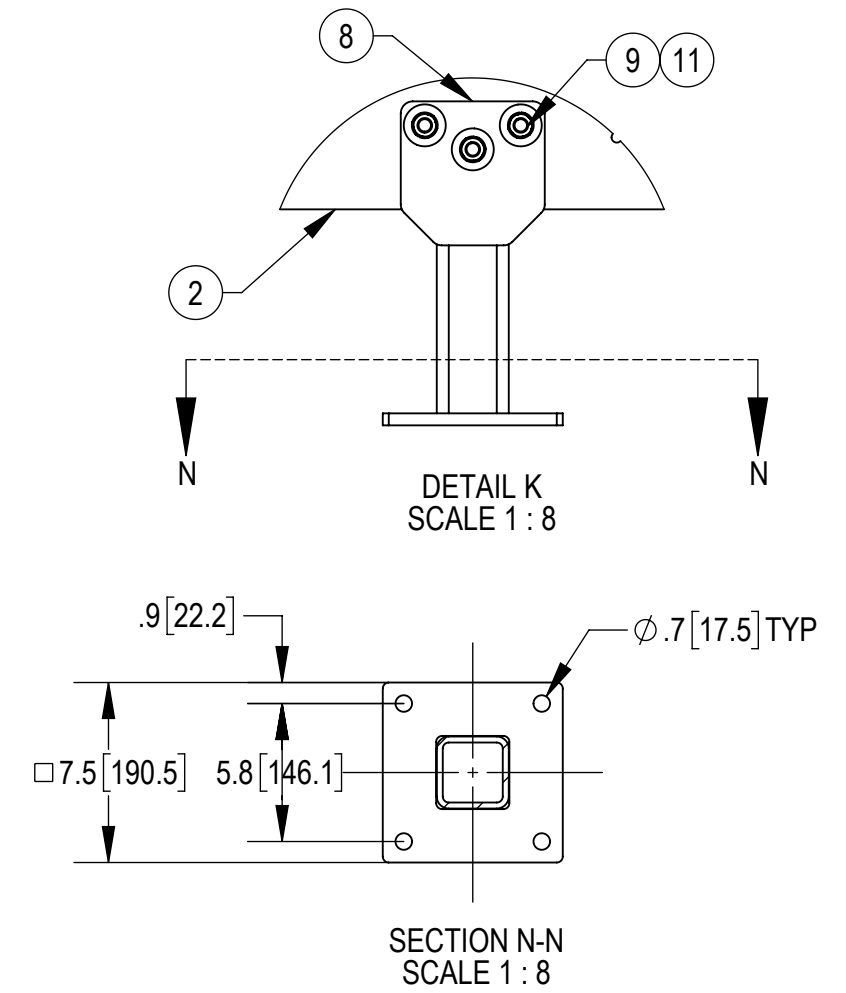
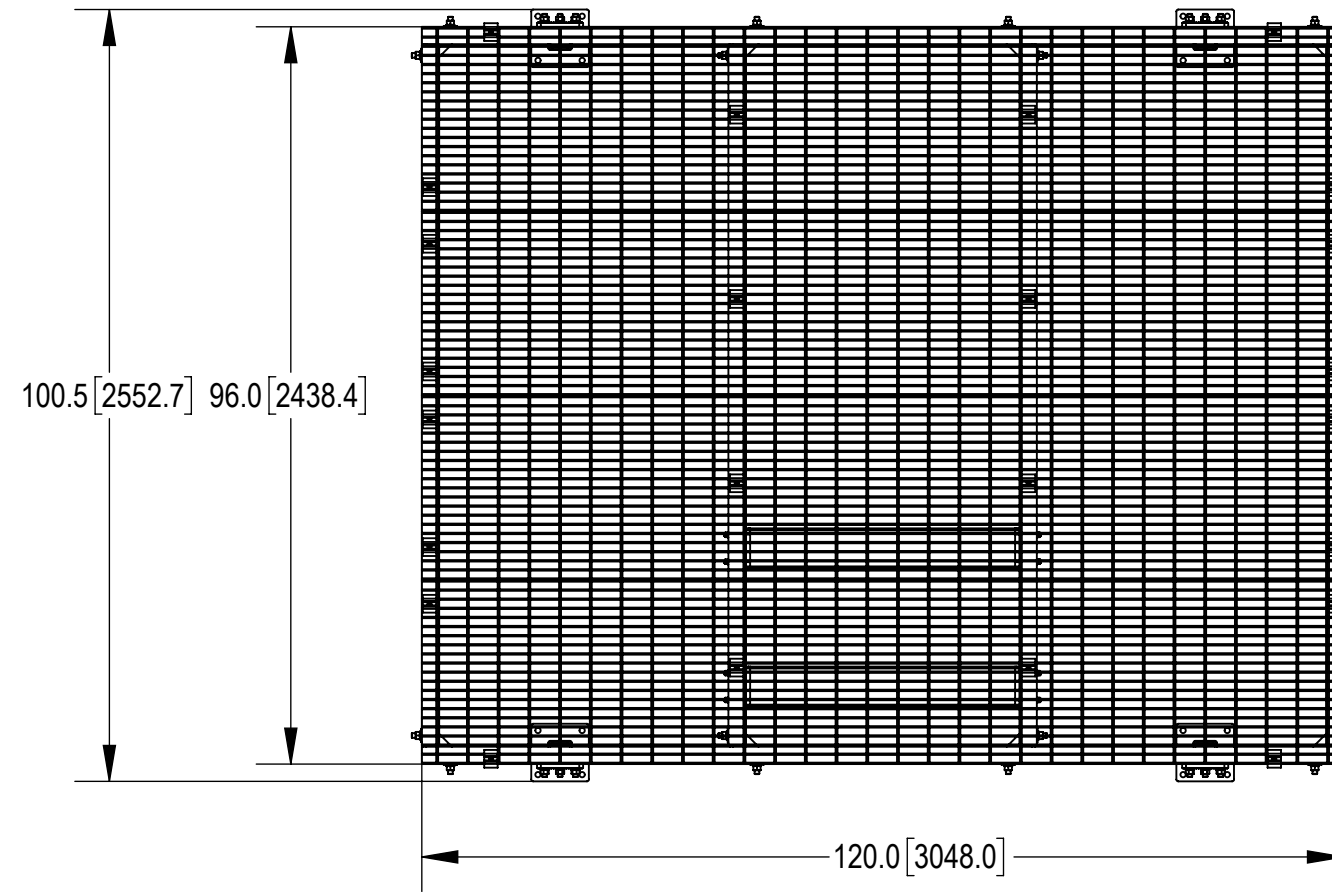


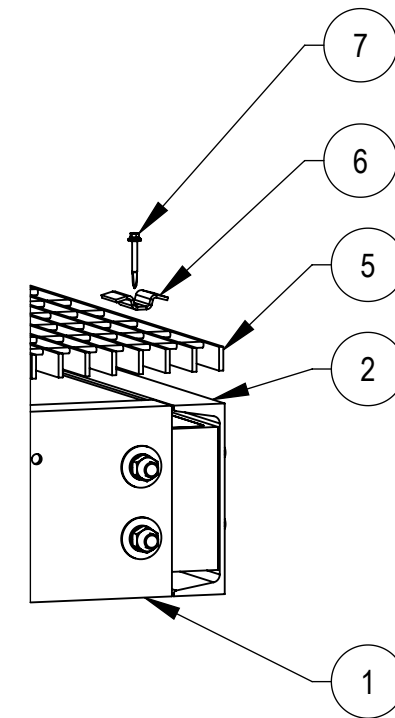
- 1.0 GENERAL NOTES
 - 1.1 ALL METRIC DIMENSIONS ARE IN BRACKETS
 - 1.2 FOR PATENT INFO: <https://www.cs-pat.com>
- 2.0 DESIGN NOTES
 - 2.1 SOME FIELD FITTING WILL BE REQUIRED IF STAIRCASE & LANDING, OR SHIPS LADDER WILL BE USED.
- 3.0 MANUFACTURING/SPECIAL REQUIREMENTS
 - 3.1 TIGHTEN ALL BOLTS SECURING FLAT PLATES BY THE TURN-OF-NUT METHOD. TIGHTEN ALL U BOLTS USING TURN-OF-NUT METHOD WITH ATTENTION TO LEAVE EQUAL DISTANCE AND EQUAL FORCE ON EACH LEG OF THE U-BOLT.
- 4.0 TEST
- 5.0 PACKAGING
 - 5.1 PACKAGING SHALL MEET COMMSCOPE REQUIREMENTS PER DOCUMENT IS-PL-3005
 - 5.2 PRINTED DOCUMENT TO BE PLACED INSIDE POLYBAG AND THEN IN SHIPPING CONTAINER
 - 5.3 EXTRA HARDWARE MAYBE SUPPLIED BAGGED AND SHIPPED

REVISIONS			
REV.	DESCRIPTION	DATE	APPROVED
A	INITIAL RELEASE	MM1298 14SEP21	MAC 15839PC
B	CHANGED THE BOM LIST	MM1298 16DEC21	MAC 15839PC
C	UPDATED DRAWING PER EQP0810-1100 (ITEM 1) CHANGES	LS1146 2FEB23	YW1047 40165200CMO



COMPONENT PART NUMBERS PROVIDED FOR ASSEMBLY PURPOSES; INDIVIDUAL COMPONENTS MAY BE SHIPPED AS PARTS WITHIN AN INCLUDED KIT.

ITEM	PART NO.	DESCRIPTION	QTY.	WEIGHT	NOTE NO.
1	EQP0810-1100	SIDE CHANNEL, EQUIPMENT PLATFORM	4	87.06 LBS	
2	EQP0810-1200	SIDE CHANNEL, EQUIPMENT PLATFORM	2	113.58 LBS	
3	EQP0810-1300	CHANNEL, SUPPORT CABINET	2	17.86 LBS	
4	EQP0810-1400	WELDMENT, ANGLE STEEL REINFORCEMENT	8	9.73 LBS	
5	MTC7902081001	24" X 120" BAR GRATING	4	141.45 LBS	
6	MTC390324	BAR GRATING CLIP	24	0.17 LBS	
7	TS1220	12-24 X 2" SELF DRILLING SCREW	24	0.03 LBS	
8	MTC3823A01	WELDMENT, IPDS FIXED FOOT	4	17.32 LBS	
9	GB-05205	5/8" X 2" GALV BOLT KIT	44	0.26 LBS	
10	GB-03105	3/8" X 1" GALV BOLT KIT	8	0.05 LBS	
11	GWF-05	5/8" GALV FLAT WASHER, 1.7OD	88	0.06 LBS	



DENSITY	0.28	lbs/in ³
MASS	1350.44	lbs
VOLUME	4778.15	in ³
SURFACE AREA	47121.69	in ²
HEIGHT	18.1[460]	
LENGTH	100.5[2553]	
WIDTH	123.56[3138]	

COMMSCOPE, INC. OF NORTH CAROLINA

TOLERANCES: 0 PLACE .X [X]± 0.25[6.3] 2 PLACE .XX [X.X] ± 0.06[1.5]
 1 PLACE .X [X]± 0.12[3.0] ANGLES ± 2°

SAP MATERIAL MASTER
EQP0810-DSH

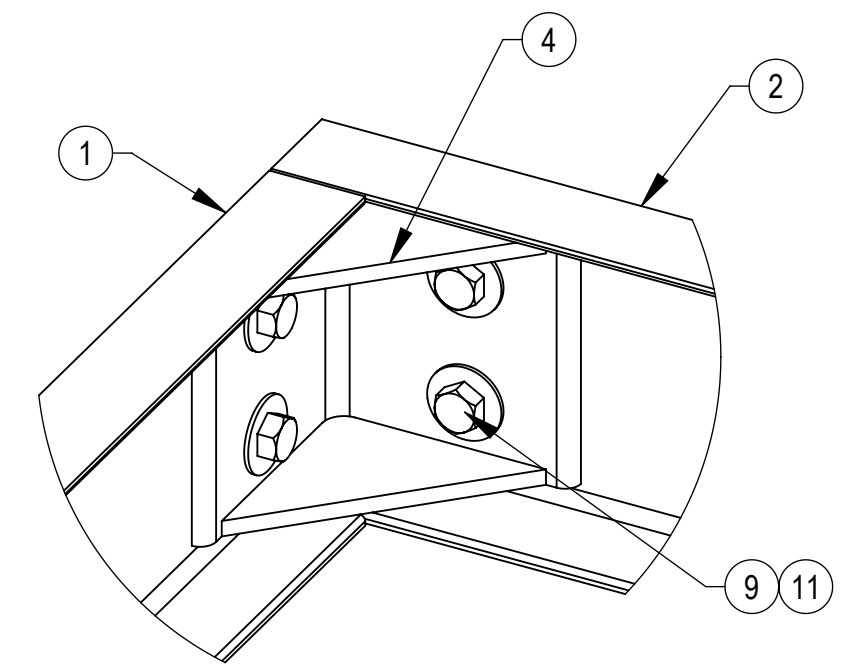
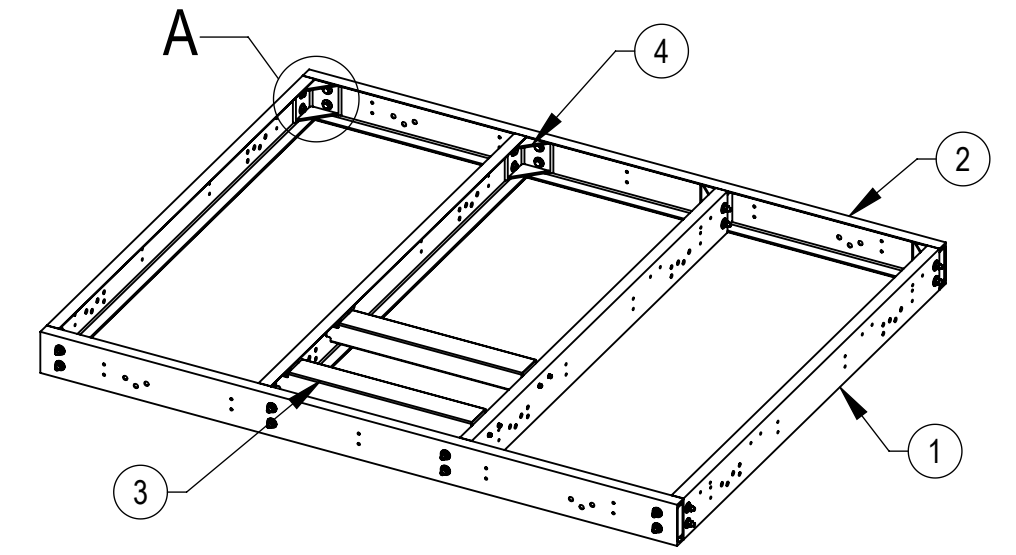
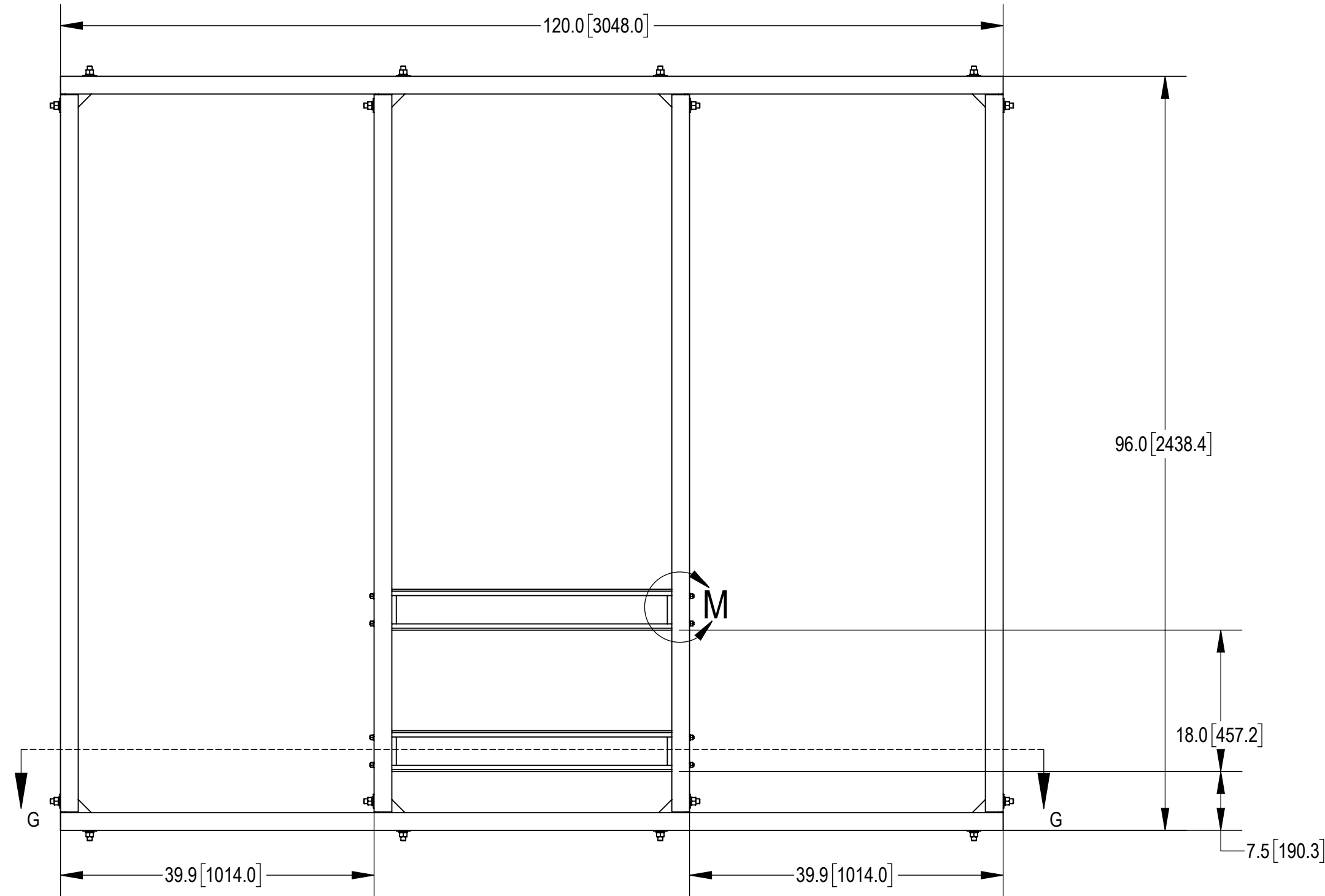
FINISH: _____ MATERIAL: _____

NAME	DATE	TITLE
CE MAC	10/07/2021	08X10 EQP FOR ELEVATED SITES
RW LS1146	02/08/2023	
AD BA1025	02/09/2023	
RE LS1146	04/10/2023	

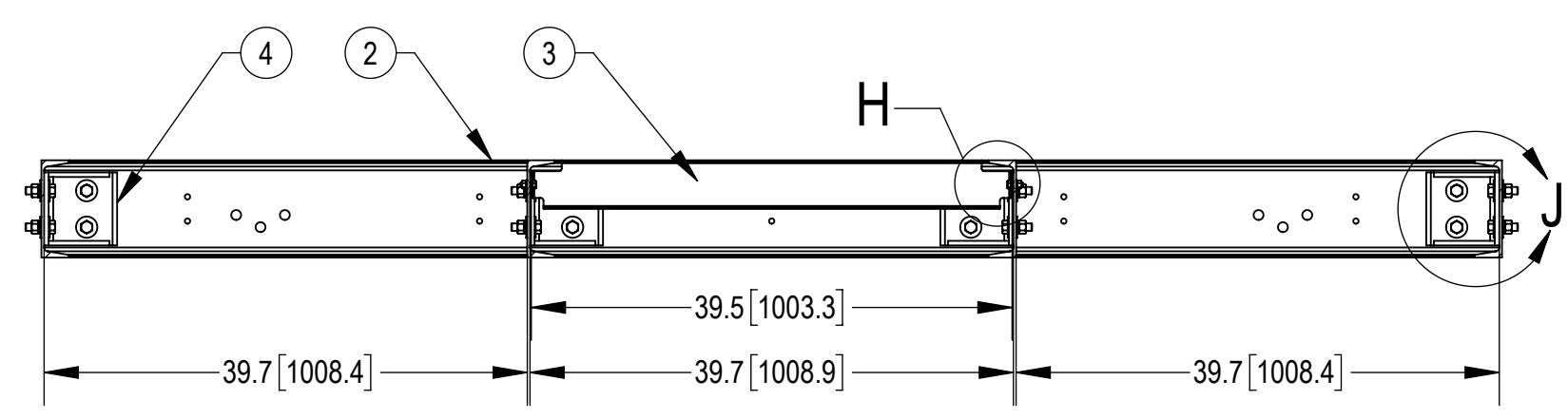
SCALE: **1:32** DOCUMENT NO.: **EQP0810-DSH**

SIZE	Auth Group	INSL	MODEL	DRAWING			SHEET		
C			VERSION	STATUS	REVISION	VERSION	STATUS	REVISION	1 OF 2
			02	RE	C	03	RE	C	

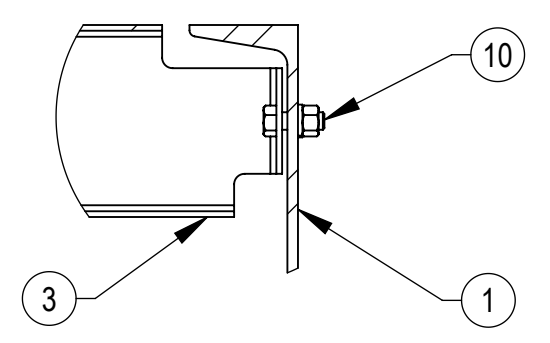
BASE FRAME ASSEMBLY ONLY



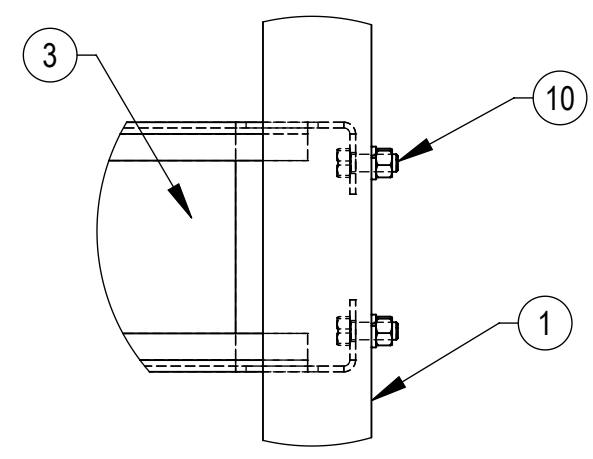
DETAIL A
SCALE 1 : 4



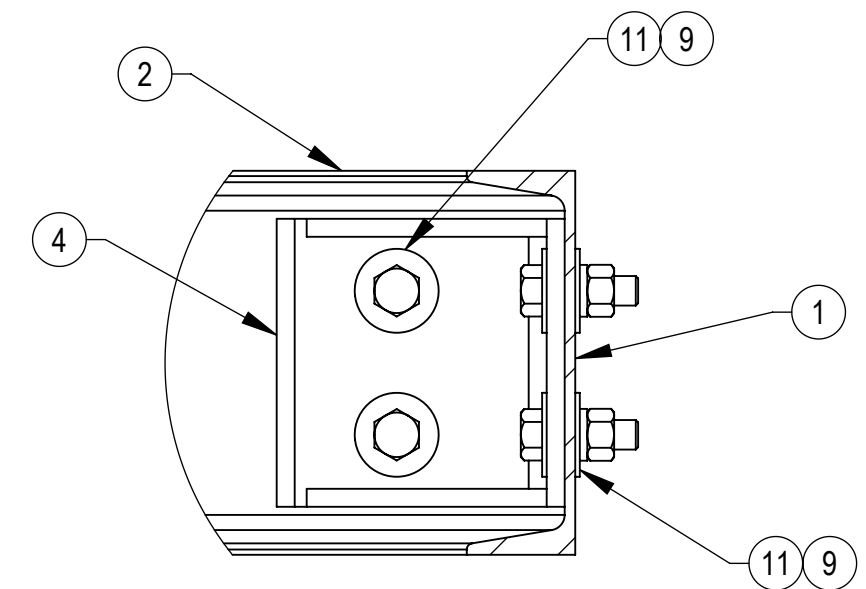
SECTION G-G
SCALE 1 : 15



DETAIL H
SCALE 1 : 4



DETAIL M
SCALE 1 : 4



DETAIL J
SCALE 1 : 4

COMMSCOPE, INC. OF NORTH CAROLINA				
TITLE 08X10 EQP FOR ELEVATED SITES				
SIZE C	SCALE 1:32	DOCUMENT NO. EQP0810-DSH		
		DRAWING		SHEET
		VERSION	STATUS	REVISION
		03	RE	C
				2 OF 2