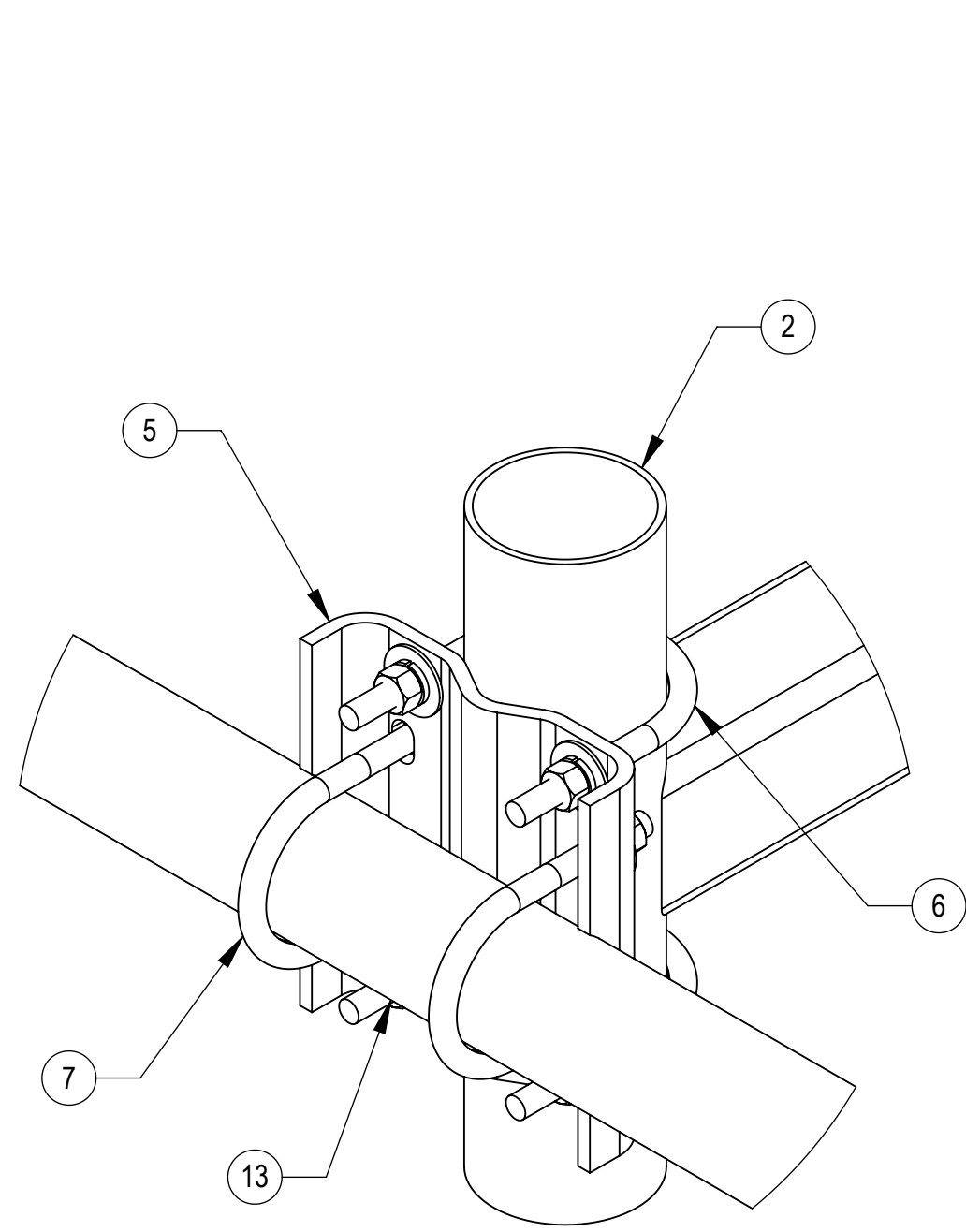


4

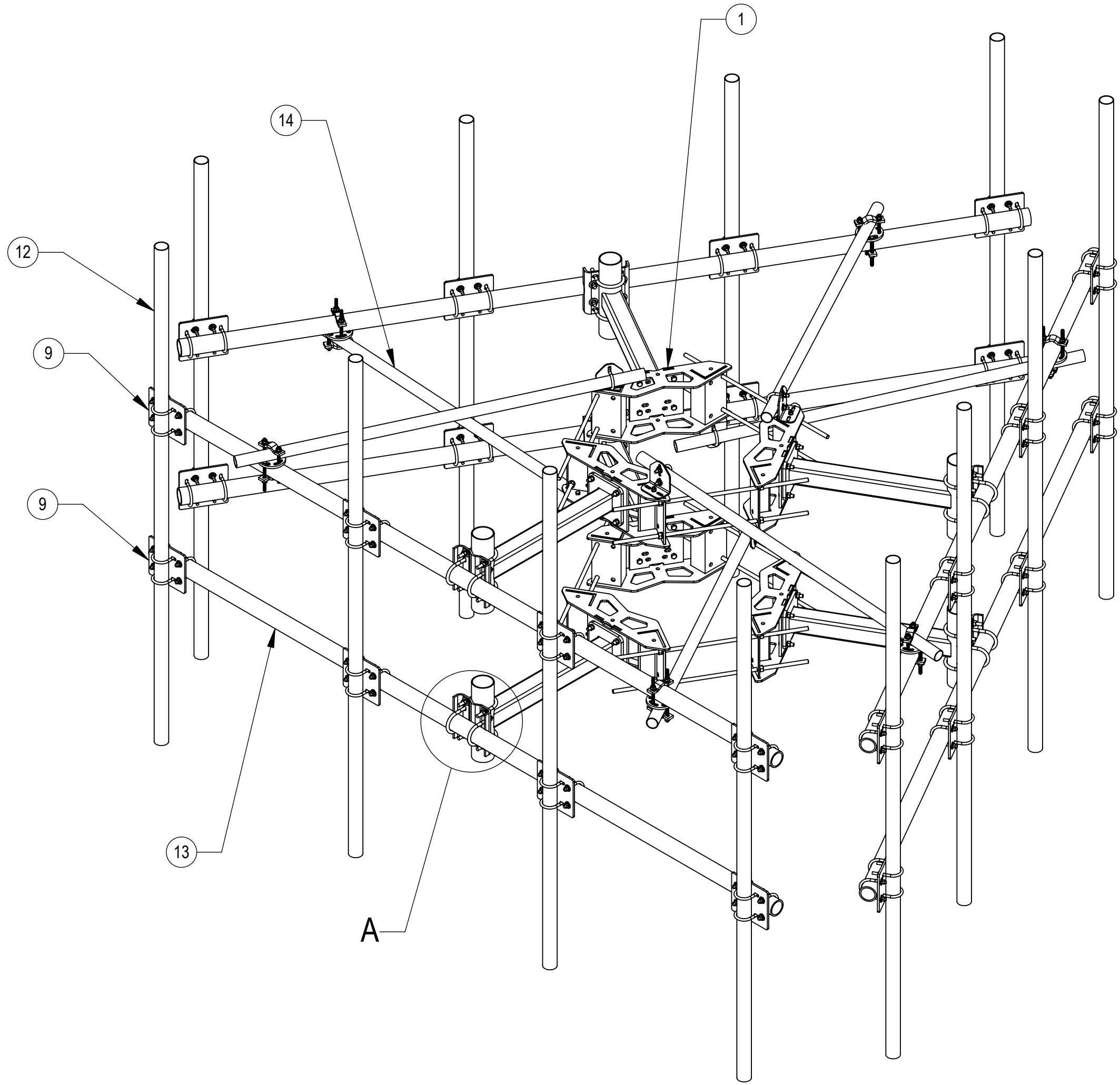
3

2

1


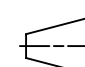


DETAIL A
SCALE 1 : 4



COMPONENT PART NUMBERS PROVIDED FOR ASSEMBLY PURPOSES;
INDIVIDUAL COMPONENTS MAY BE SHIPPED AS PARTS WITHIN AN INCLUDED KIT.

| ITEM NO. | PART NUMBER | DESCRIPTION | QTY. | WEIGHT | NOTE NO. |
|----------|-------------|--|------|-------------|----------|
| 1 | MC-RM1550-3 | 15" - 50" OD RINGMOUNT | 2 | 229.90 LBS | |
| 2 | MT19701 | 36" SINGLE SUPPORT ARM | 6 | 57.29 LBS | |
| 3 | GB-05245 | 5/8" X 2-1/2" GALV BOLT KIT | 24 | 0.30 LBS | |
| 4 | GB-04145 | 1/2" X 1-1/2" GALV BOLT KIT | 6 | 0.13 LBS | |
| 5 | MT216.13 | CENTER BRACKET | 6 | 11.80 LBS | |
| 6 | GUB-5456 | 5/8" X 4-5/8" X 6 1/2" GALV U-BOLT | 12 | 1.43 LBS | |
| 7 | GUB-53560 | 5/8" X 3-5/8" X 6" GALV U-BOLT | 12 | 1.30 LBS | |
| 8 | GUB-4240 | 1/2" X 2-1/2" X 4" GALV U-BOLT | 6 | 0.56 LBS | |
| 9 | XP-2530 | CROSSOVER PLATE ϕ 2.875" O.D. TO | 24 | 12.69 LBS | |
| 10 | XP-R | CROSSOVER PLATE, ROUND, UP TO 3.5" OD | 6 | 6.20 LBS | |
| 11 | XAU01 | ANGLE, CROSSOVER, 1.9-3.5" X 1.9-3.5" OD | 6 | 2.98 LBS | |
| 12 | MT546120120 | PIPE, 2.875"OD X 120" | 12 | 35.44 LBS | |
| 13 | MT547174300 | 3.5"OD X 174" GALV PIPE | 6 | 149.204 LBS | |
| 14 | MT-651-84 | 2.375" OD X 84" PIPE | 6 | 20.35 LBS | |

| | | | | |
|---|----------------------|--|--------------|---------------|
| COMMSCOPE, INC. OF NORTH CAROLINA | | | | |
| TITLE MONOPOLE, DBL T-ARM, 14' FACE, (12) 120" AP | | | | |
| SIZE C | SCALE 1:20 | DOCUMENT NO. MC-KD14M-12-H10 | | |
|   | | DRAWING | | SHEET |
| | | VERSION 02 | STATUS RE | REVISION C |

© 2024 CommScope, Inc. Confidential

4

3

2

1

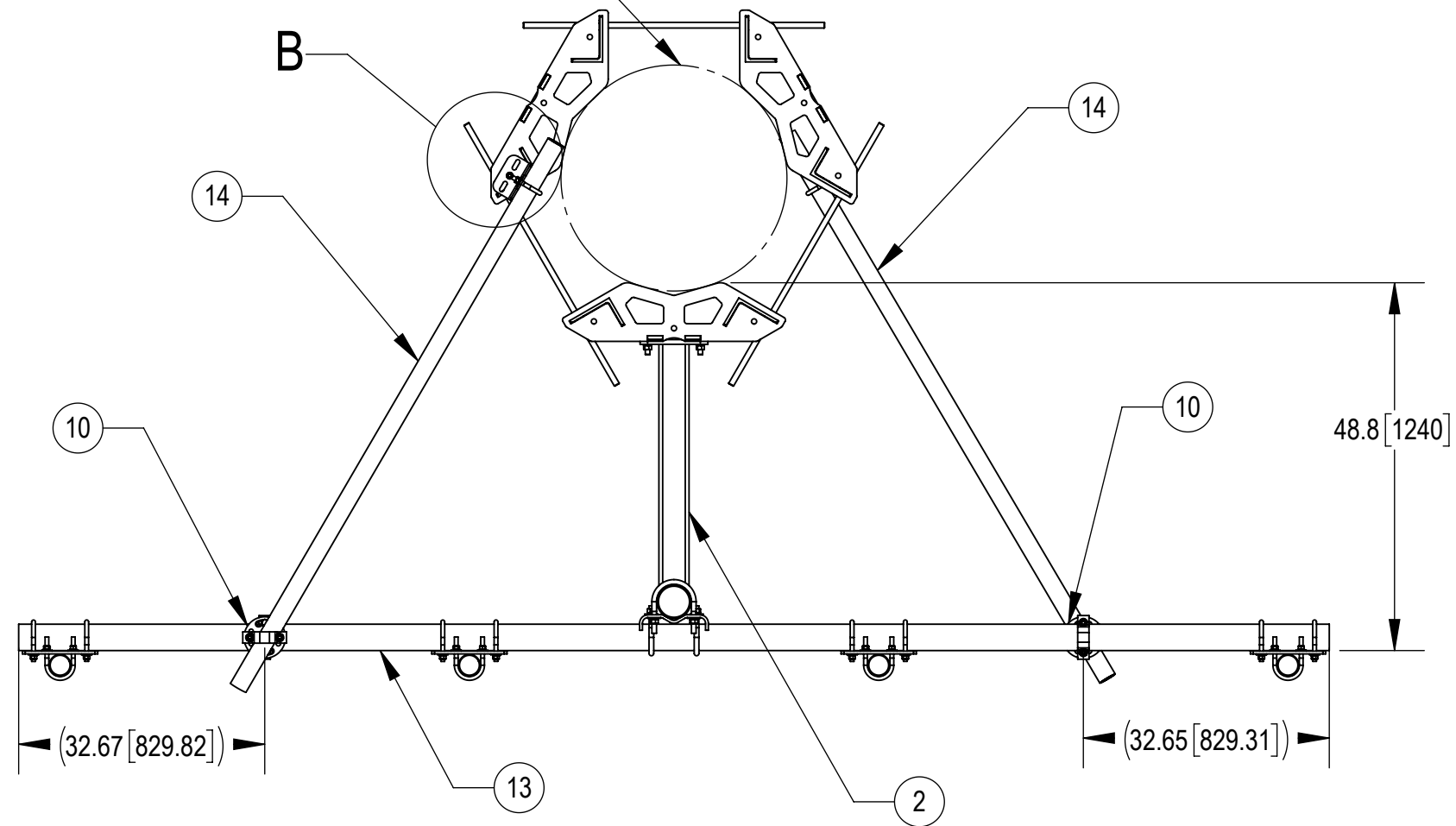
4

3

2

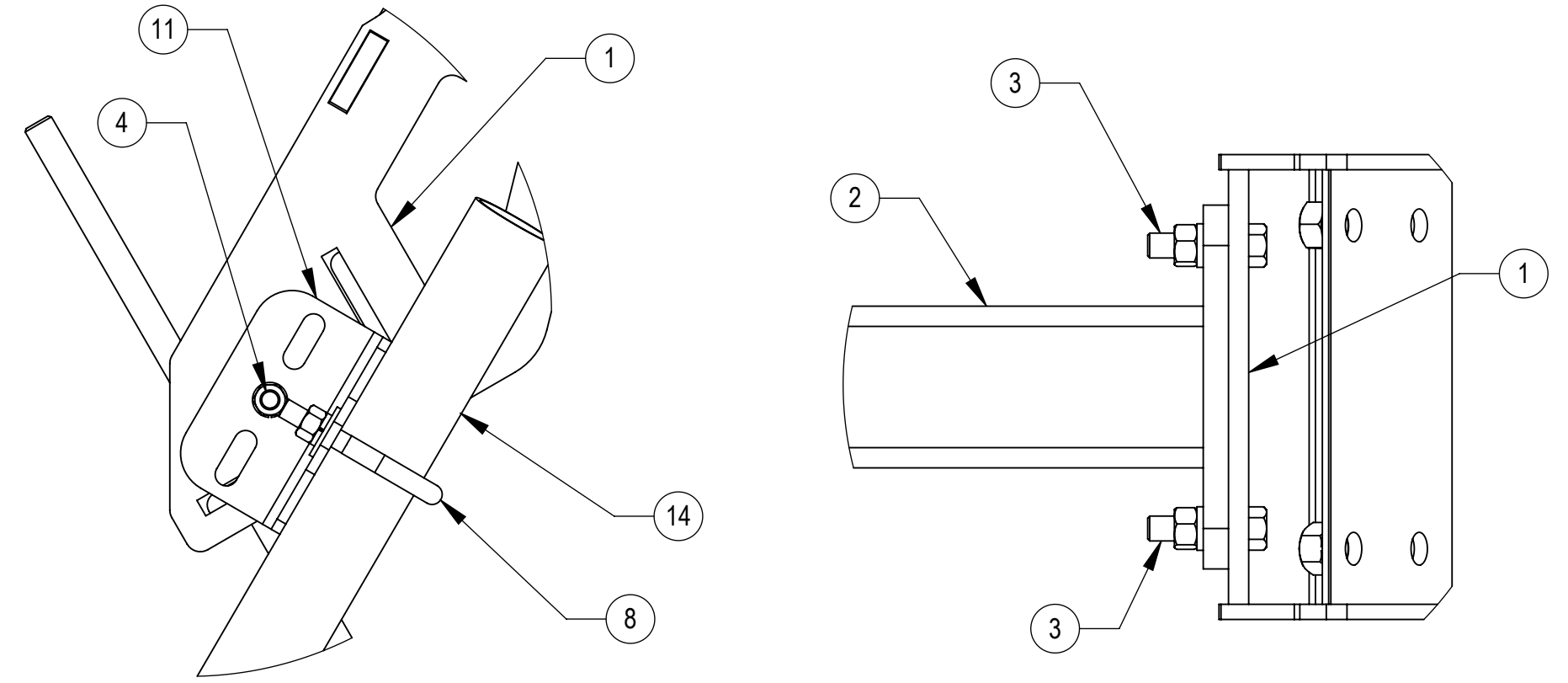
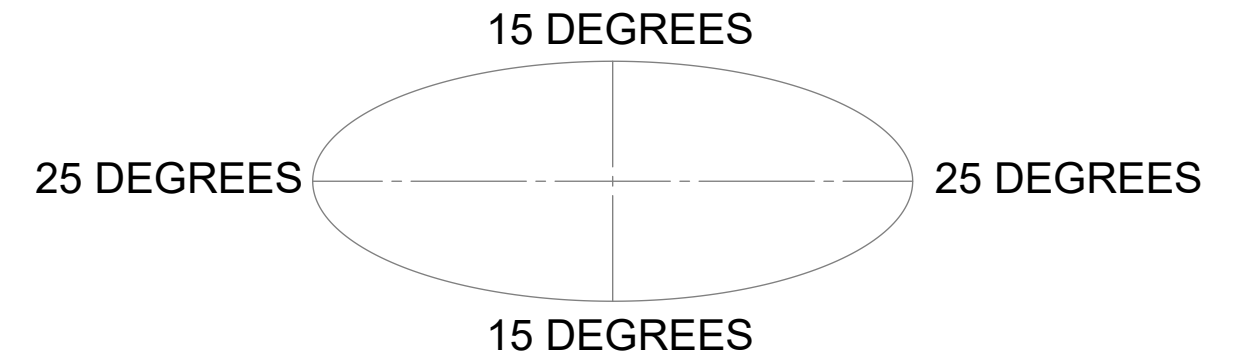
1

14'6" FACE MODELS: Ø 15"-50" POLE



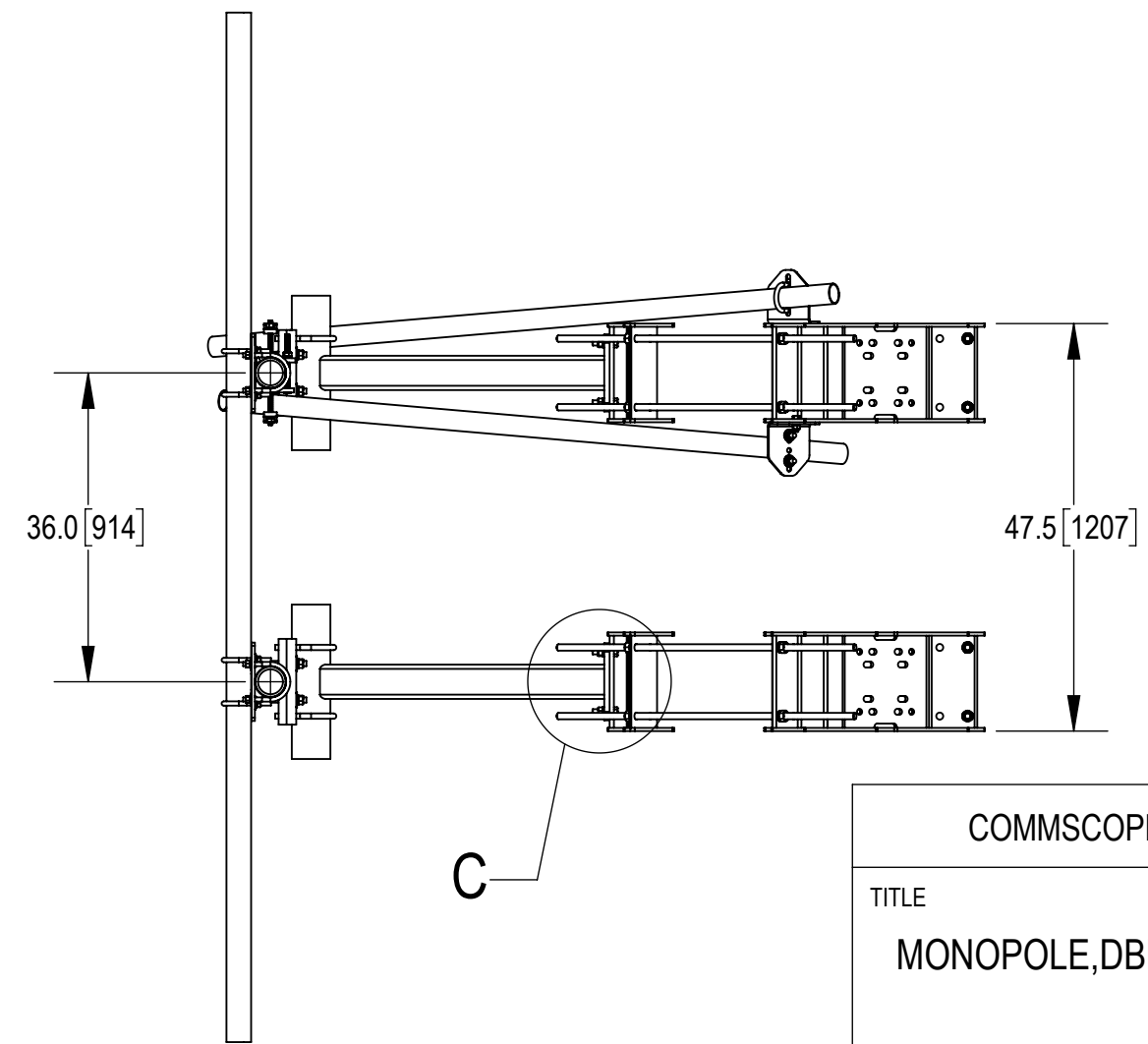
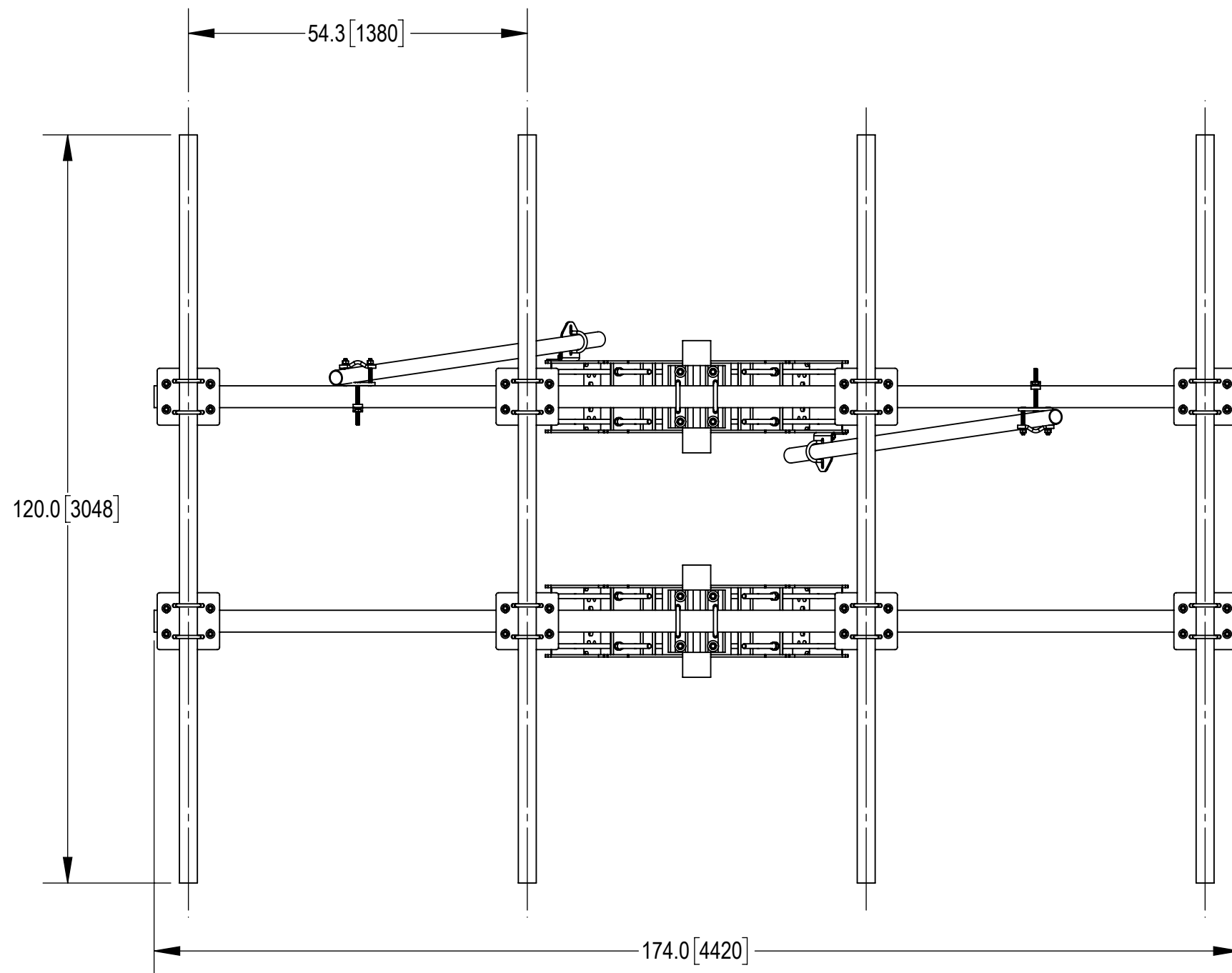
ALLOWABLE TIEBACK ANGLE

+15 DEGREES VERTICAL
±25 DEGREES HORIZONTAL



DETAIL B
SCALE 1 : 4

DETAIL C
SCALE 1 : 4



| | | | | |
|--|---------------|---------------------------------|--------|-----------------|
| COMMSCOPE, INC. OF NORTH CAROLINA | | | | |
| TITLE MONOPOLE, DBL T-ARM, 14' FACE, (12) 120" AP | | | | |
| SIZE C | SCALE 1:20 | DOCUMENT NO. MC-KD14M-12-H10 | | |
| | | DRAWING | | SHEET |
| | | VERSION | STATUS | REVISION |
| | | 02 | RE | C |
| | | | | SHEET 3 OF 3 |

4

3

2

1