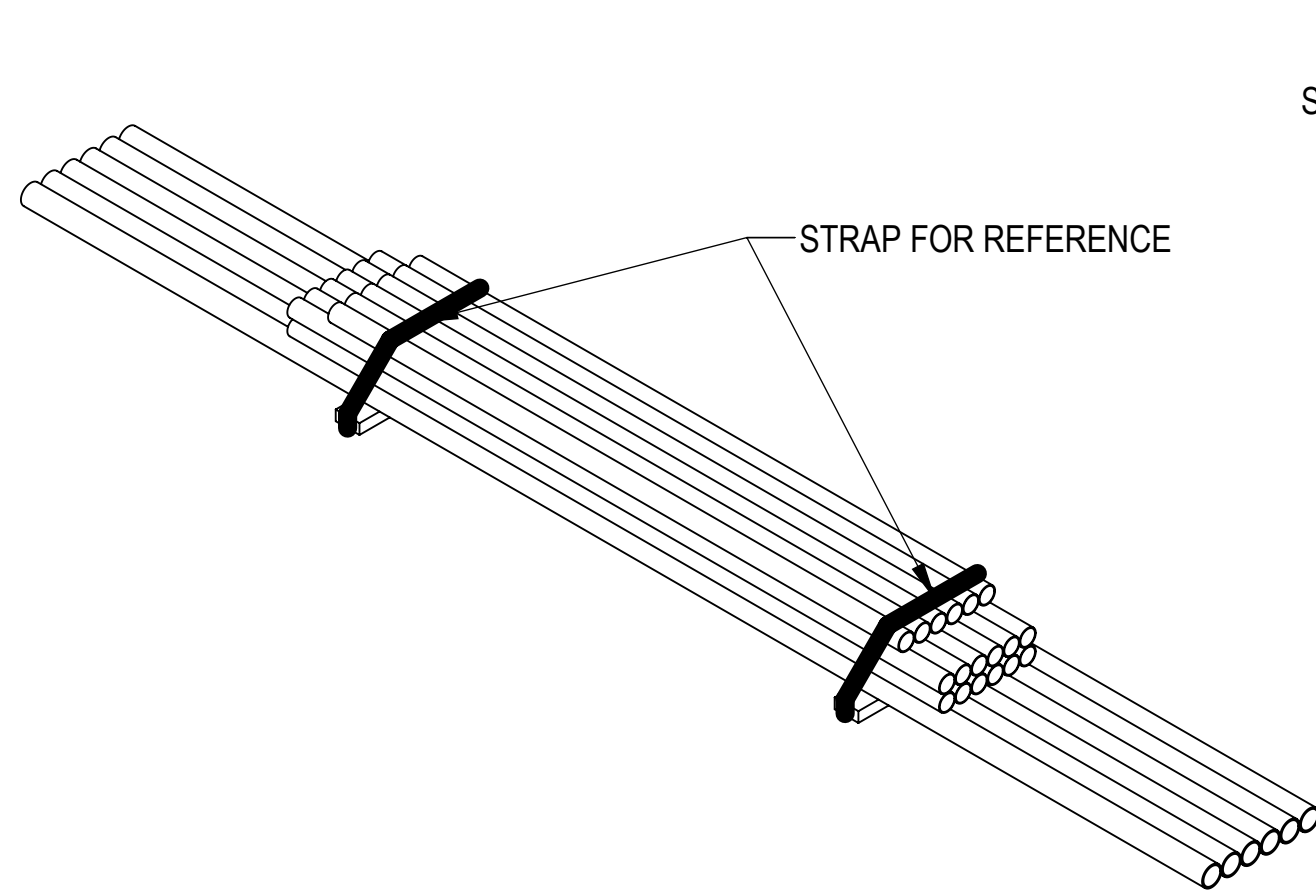
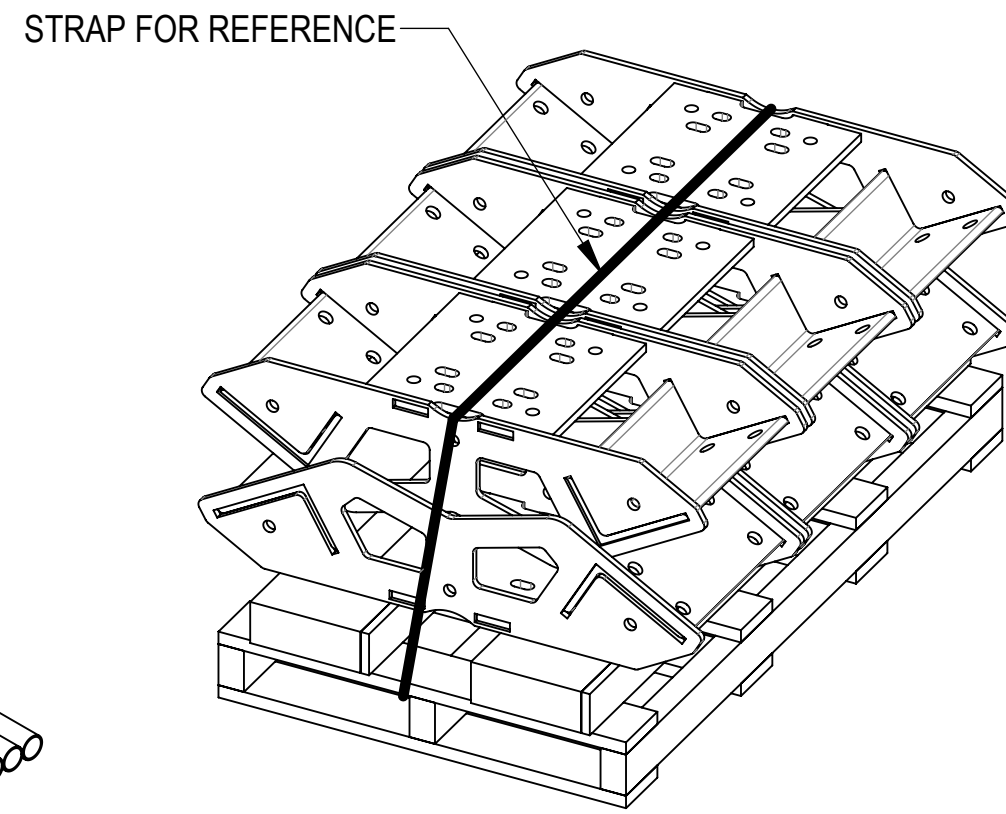


- 1.0 GENERAL NOTES
 - 1.1 ALL METRIC DIMENSIONS ARE IN BRACKETS [X. X]
 - 1.2 FOR PATENT INFO: <https://www.cs-pat.com>
- 2.0 DESIGN NOTES
 - 2.1 ANY HAZARDS OR OBSTRUCTIONS TO THE CLIMBING FACILITY AND SAFETY CLIMB MUST BE IDENTIFIED PRIOR TO INSTALLING THE APPURTENANCE. ADDITIONAL PRODUCTS MAY BE REQUIRED TO MAINTAIN THE INTEGRITY OF THE SAFETY CLIMB. DURING INSTALLATION, TEMPORARY AND/OR PERMANENT PRECAUTIONARY MEASURES SHOULD BE TAKEN TO PRESERVE THE CLIMBING FACILITY AND/OR SAFETY CLIMB.
 - 2.2 FITS MONOPOLES 15" TO 50" OD.
- 3.0 MANUFACTURING/SPECIAL REQUIREMENTS
 - 3.1 TIGHTEN ALL BOLTS SECURING FLAT PLATES BY THE TURN-OF-NUT METHOD. TIGHTEN ALL U-BOLTS USING TURN-OF-NUT METHOD WITH ATTENTION TO LEAVE EQUAL DISTANCE AND EQUAL FORCE ON EACH LEG OF THE U-BOLT.
- 4.0 TEST
- 5.0 PACKAGING
 - 5.1 PACKAGING SHALL MEET COMMSCOPE REQUIREMENTS PER DOCUMENT IS-PL-3005.
 - 5.2 PRINTED DOCUMENT TO BE PLACED INSIDE POLYBAG AND THEN IN SHIPPING CONTAINER.
 - 5.3 EXTRA HARDWARE MAY BE SUPPLIED, BAGGED AND SHIPPED.

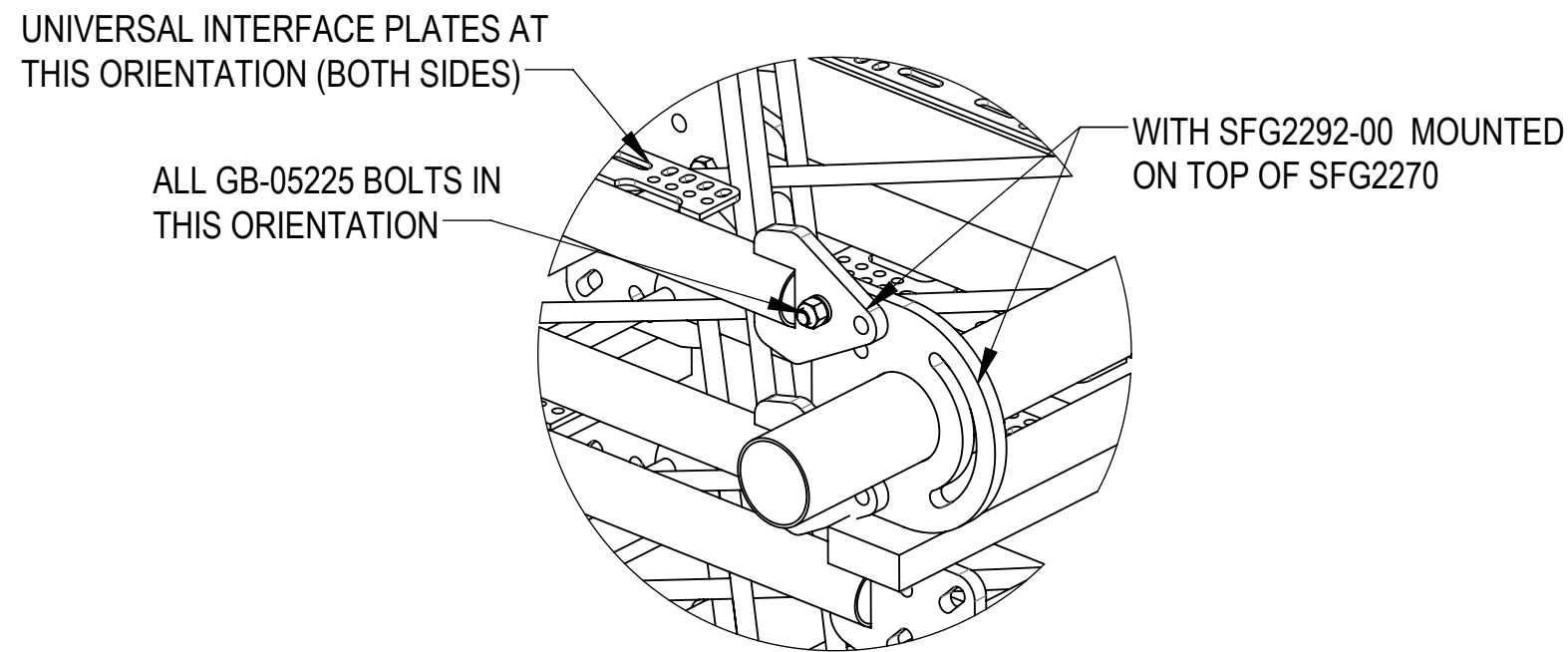
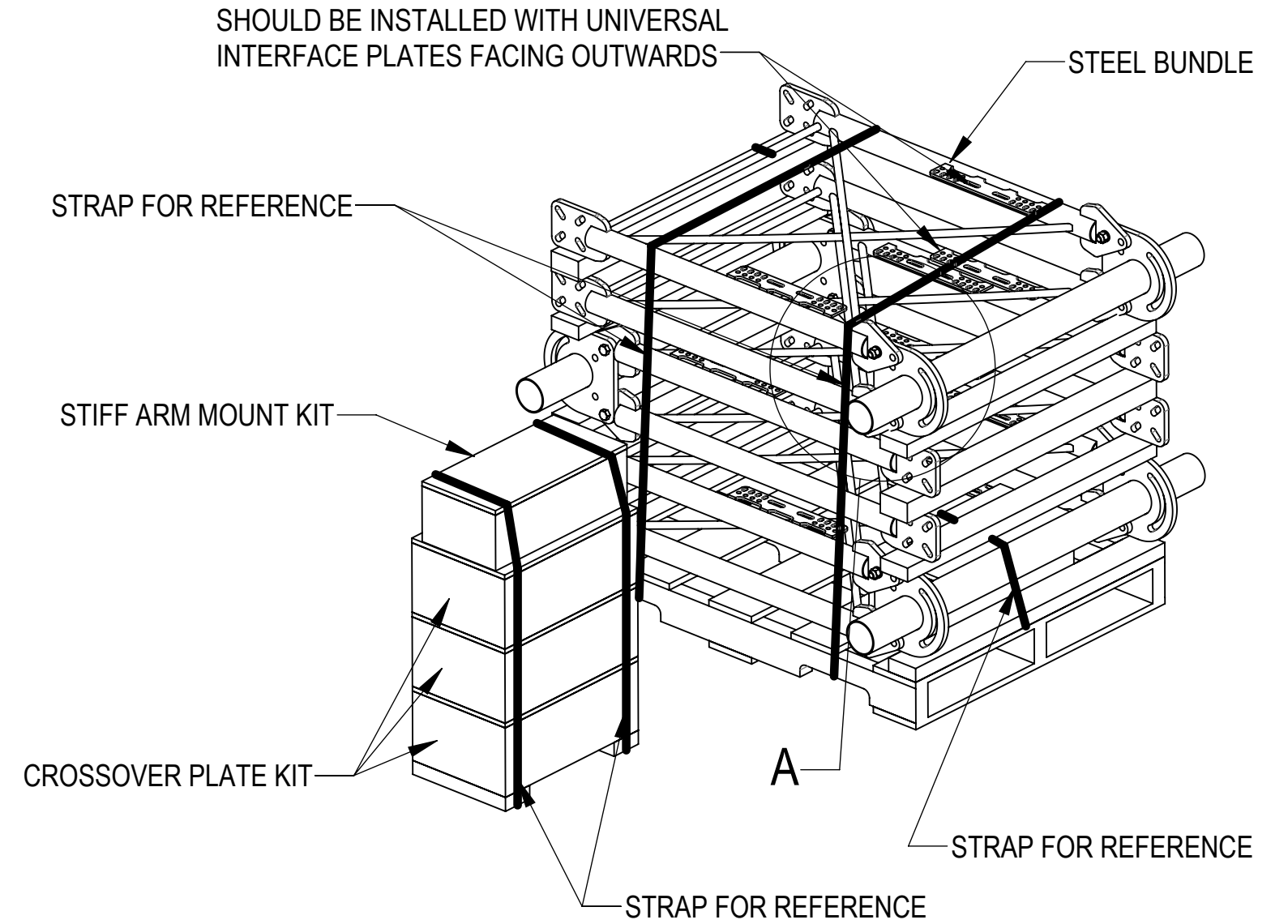
REVISIONS			
REV.	DESCRIPTION	DATE	APPROVED
B	BOM STANDARDIZATION	JL1183 19APR22	BCROSS 40146706CMO
C	REMOVED SFG2250, UPDATED NOTES	YMENG 17APR23	BA1025 40146772CMO
D	ADDED SHEET 2; ADDED SFG2254 TO THE TOP OF V-ARM	RY1002 02JAN24	YW1045 40185559CMO
E	SFG2292-00(ITEM2) WAS SFG2278	YX1027 01NOV24	BA1025 40208036CMO



PIPE BUNDLE



RING MOUNT



DETAIL A
SCALE 1 : 7

DENSITY	lbs/in ³
MASS	lbs
VOLUME	in ³
SURFACE AREA	in ²
HEIGHT	
LENGTH	
WIDTH	

COMMSCOPE, INC. OF NORTH CAROLINA										
TOLERANCES					SAP MATERIAL MASTER					
1 PLACE .X[X] ± .25[6.3]		3 PLACE .XXX[X] ± .060[1.5]			SEE TABLE 1					
2 PLACE .XX[X] ± .12[3.0]		ANGLES ± 2°								
FINISH					MATERIAL					
UNLESS OTHERWISE SPECIFIED DIMENSIONS ARE IN INCHES INTERPRET PER ANSI Y 14.5M-1994	NAME	DATE	TITLE							
	CE JL1183	04/19/2022	MCG22HD STANDARD SECTOR FRAME SERIES							
	RW YMENG	12/19/2024								
	AD YX1027	12/19/2024								
	RE YMENG	12/19/2024								
ECN 40208036CMO										
SCALE	DOCUMENT NO.									
1:16	MCG22HD-STD									
SIZE	Auth Group	INSL	MODEL			DRAWING				SHEET
C			VERSION	STATUS	REVISION	VERSION	STATUS	REVISION	REVISION	1 OF 9
			05	RE	E	06	RE	E		

PART NUMBERS, WEIGHTS, & EPA

TABLE 1: CONFIGURATIONS

PART NUMBER	DESCRIPTION	WEIGHT (LBS)	(EPA)A (FT ²)*	(EPA)A 1/2" ICE THICKNESS (FT ²)*	ANTENNA PIPES	INCLUDED PARTS																
						MC-RM1550-3D	MCG22HD-HK01	MCG22HD-SB01	PB0910A0607A0610K	PB0908A0607A0610K	PB0607A0610K	PB1210A0607A0612K	PB1208A0607A0612K	PB0607A0612K	PB1210A0607A0614K	PB1208A0607A0614K	PB0607A0614K	XP-2025-6	XP-2025-8	SFG2254		
MCG22HD-10M-9-126	MONO 3 SCTR FR 10' FACE,(9) 126" ANT	1879.73	16.64	24.81	9	1	1	1	1	-	-	-	-	-	-	-	-	3	-	3		
MCG22HD-10M-9-96	MONO 3 SCTR FR 10' FACE,(9) 96" ANT	1814.93			9	1	1	1	-	1	-	-	-	-	-	-	-	-	3	-	3	
MCG22HD-10M-B	MONO 3 SCTR FR 10' FACE, BASE KIT	1460.40			-	1	1	1	-	-	1	-	-	-	-	-	-	-	-	-	-	3
MCG22HD-12M-12-126	MONO 3 SCTR FR 12' FACE,(12) 126" ANT	2089.28	17.92	26.51	12	1	1	1	-	-	-	1	-	-	-	-	-	-	-	3	3	
MCG22HD-12M-12-96	MONO 3 SCTR FR 12' FACE,(12) 96" ANT	2002.88			12	1	1	1	-	-	-	-	1	-	-	-	-	-	-	-	3	3
MCG22HD-12M-B	MONO 3 SCTR FR 12' FACE, BASE KIT	1530.17			-	1	1	1	-	-	-	-	-	1	-	-	-	-	-	-	-	3
MCG22HD-14M-12-126	MONO 3 SCTR FR 14' FACE,(12) 126" ANT	2159.05	19.20	28.21	12	1	1	1	-	-	-	-	-	-	-	1	-	-	-	3	3	
MCG22HD-14M-12-96	MONO 3 SCTR FR 14' FACE,(12) 96" ANT	2072.65			12	1	1	1	-	-	-	-	-	-	-	-	-	1	-	-	3	3
MCG22HD-14M-B	MONO 3 SCTR FR 14' FACE, BASE KIT	1599.93			-	1	1	1	-	-	-	-	-	-	-	-	-	-	1	-	-	3

* (EPA)A DOES NOT INCLUDE ANTENNA PIPES AND MOUNTING HARDWARE. IF DESIRED, ADD ANTENNA PIPE PER TABLE 2

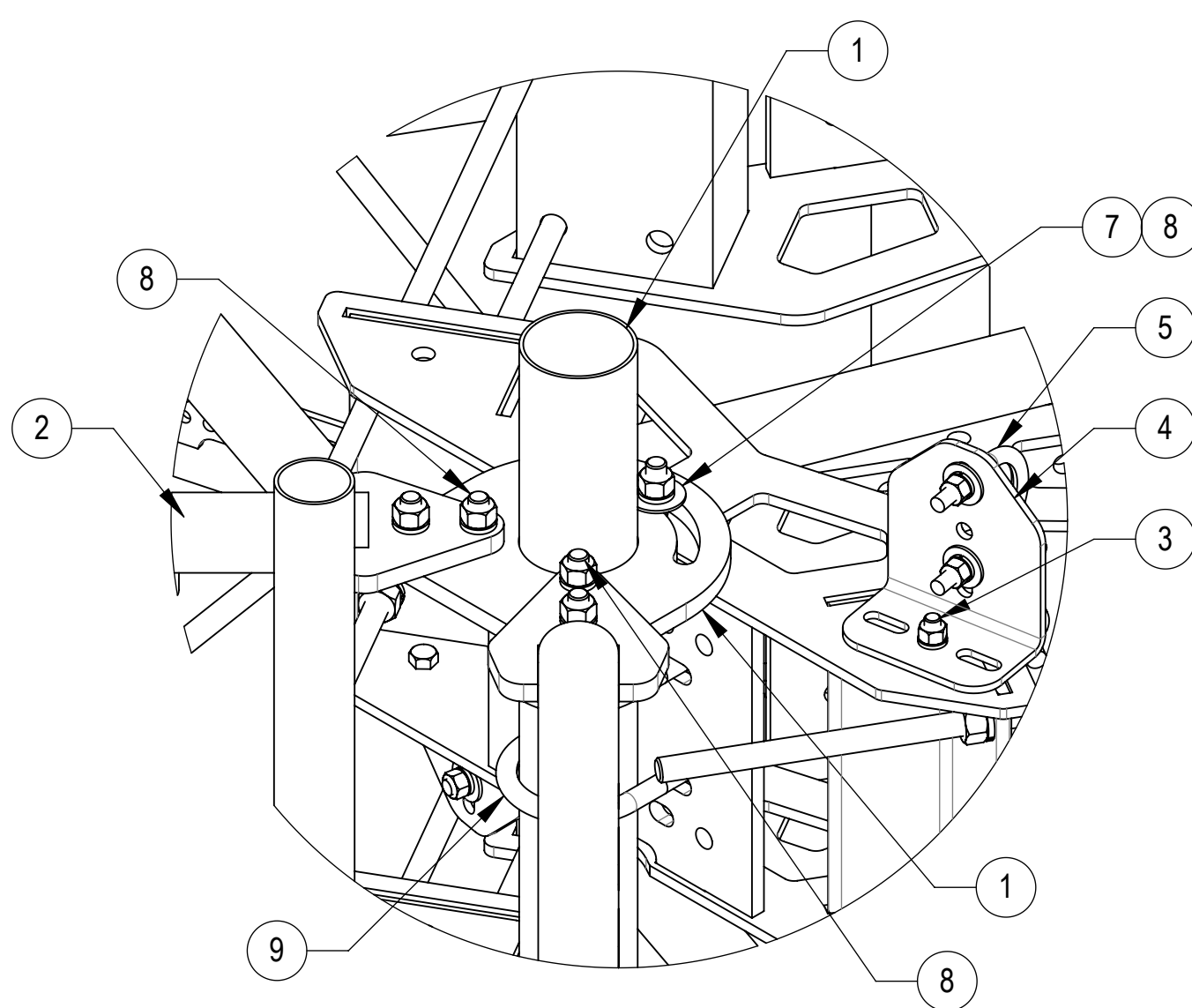
TABLE 2: EPA OF EACH ANTENNA PIPE

ANTENNA PIPE	(EPA)A (FT ²)	(EPA)A W/ 1/2" ICE THICKNESS (FT ²)
2-3/8" X 96"	1.52	2.16
2-3/8" X126"	2.00	2.84

NOTE:

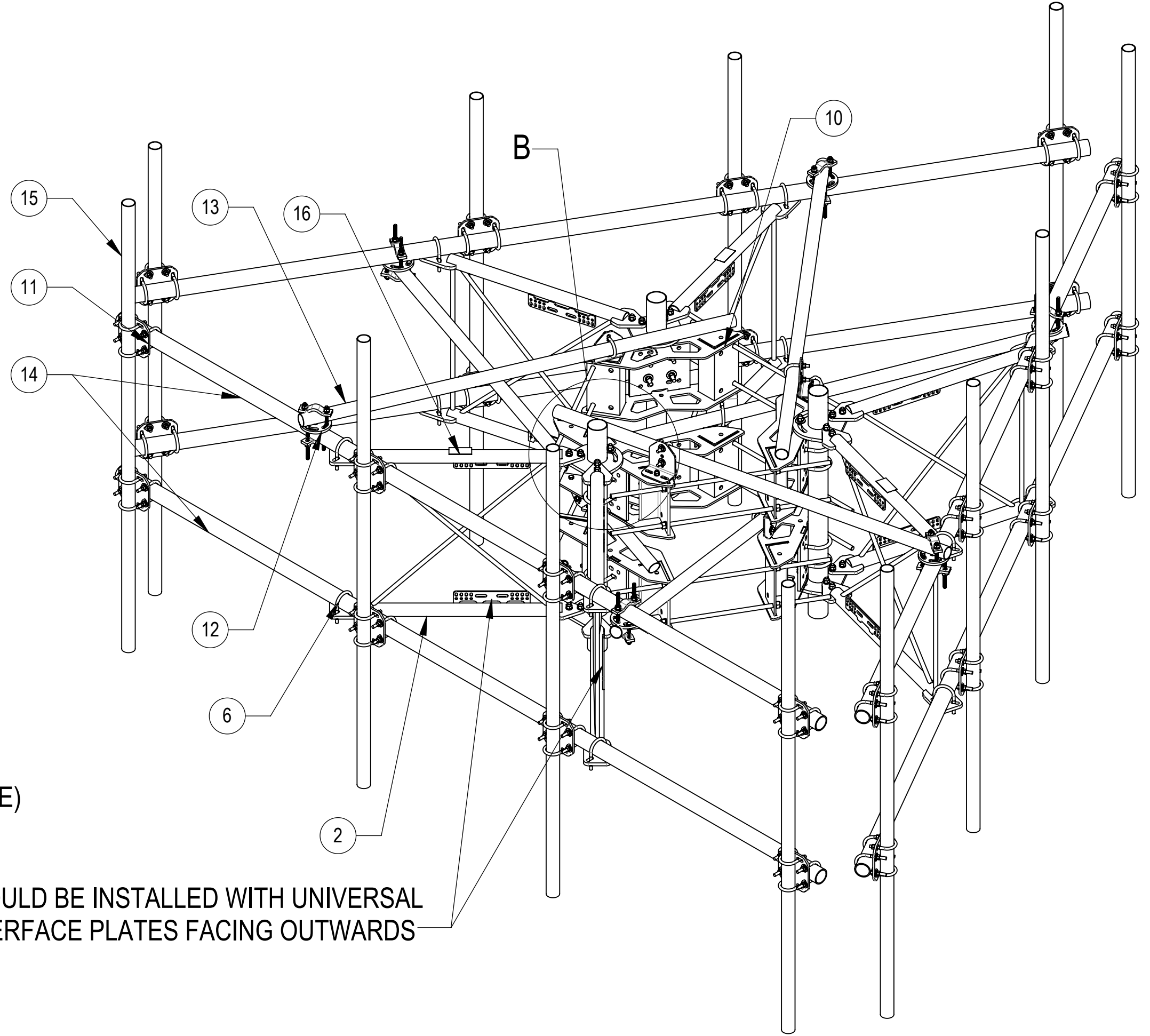
- ANTENNA PIPES ARE CONSIDERED SEPARATELY.
- KA FACTOR OF 3-SECTOR EPA INCLUDED.
- COMBINE THE ASSOCIATED EPA VALUES IN THE TABLES ABOVE TO DETERMINE THE EPA OF A MOUNT MODEL WITH A LISTED MOUNT PIPE CONFIGURATION. FOR EXAMPLE, MCG22HD-10M-9-126 HAS A 3-SECTOR EPA OF 16.64 FT² WITH NO ICE PLUS 9 ANTENNA PIPES WITH A 3-SECTOR EPA OF 9X2.00=18.00 FT² WITH NO ICE. SO, THE TOTAL EPA OF 34.64 FT² FOR THE MCG22HD-10M-9-126.

COMMSCOPE, INC. OF NORTH CAROLINA				
TITLE MCG22HD STANDARD SECTOR FRAME SERIES				
SIZE C	SCALE 1:30	DOCUMENT NO. MCG22HD-STD		
DRAWING				SHEET
VERSION 06		STATUS RE	REVISION E	2 OF 9



DETAIL B
SCALE 1 : 5

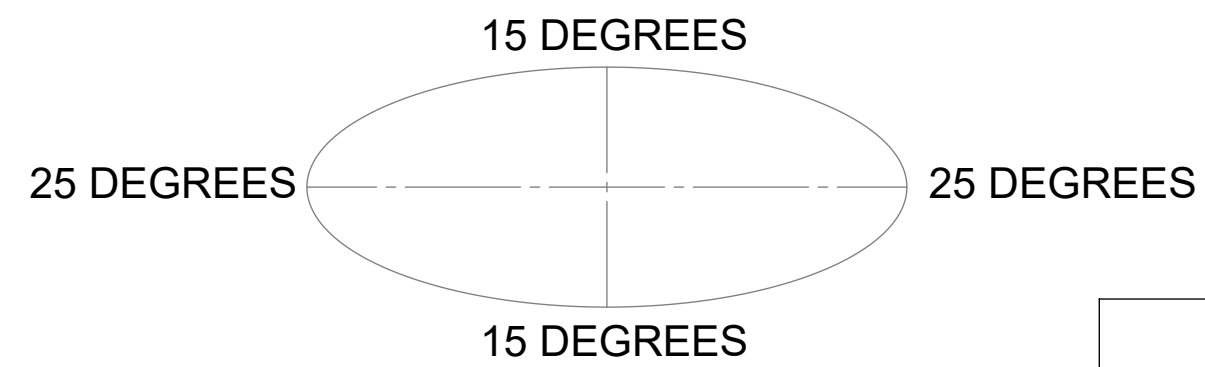
MCG22HD-14M-12-96 SHOWN FOR REFERENCE
(NOT ALL CONFIGURATIONS INCLUDE ALL ITEMS SEE NOTES IN TABLE)



TOP
↓
BOTTOM

SHOULD BE INSTALLED WITH UNIVERSAL
INTERFACE PLATES FACING OUTWARDS

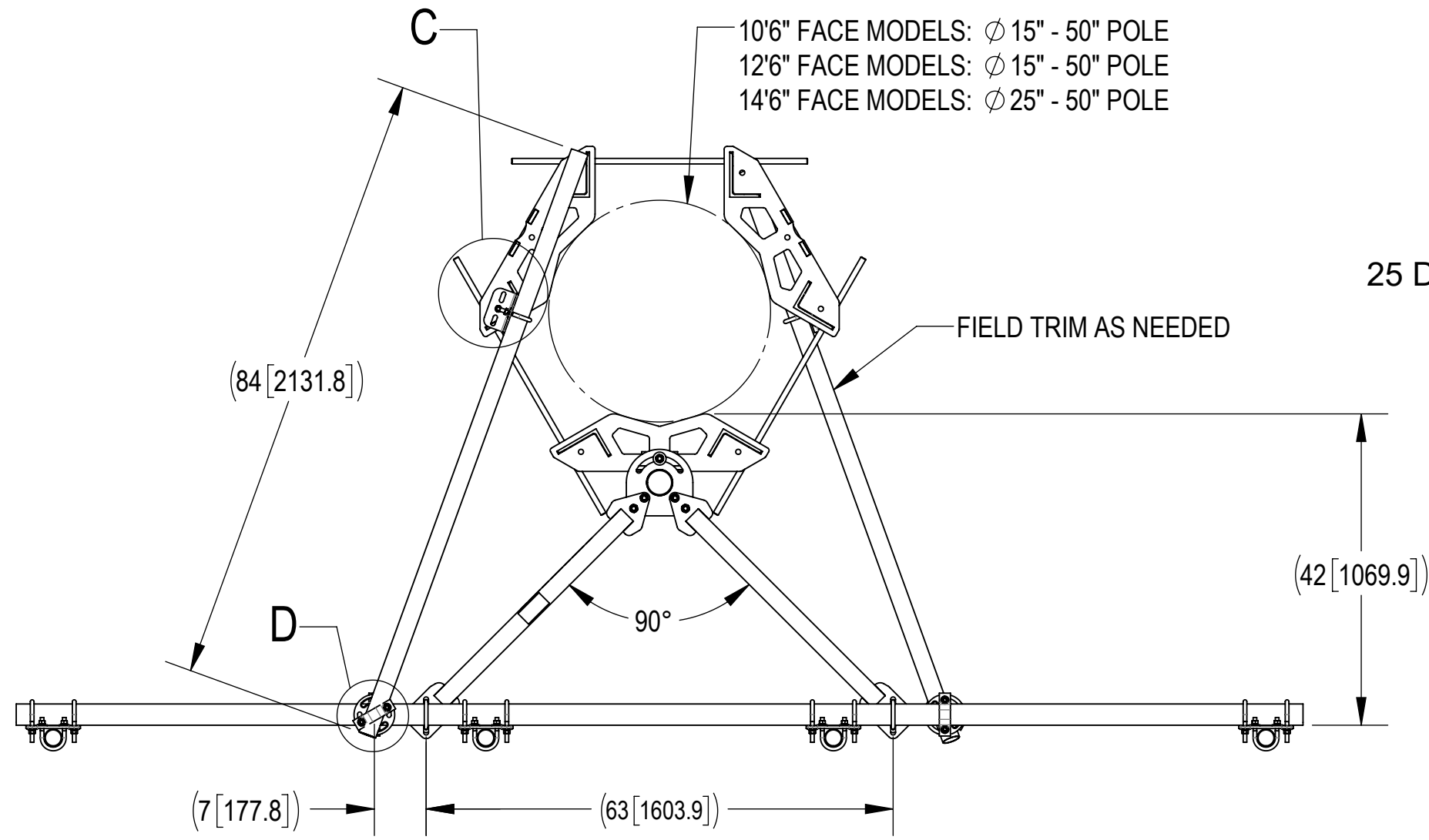
ALLOWABLE TIEBACK ANGLE
± 15 DEGREES VERTICAL
± 25 DEGREES HORIZONTAL



COMPONENT PART NUMBERS PROVIDED FOR ASSEMBLY PURPOSES;
INDIVIDUAL COMPONENTS MAY BE SHIPPED AS PARTS WITHIN AN INCLUDED KIT.

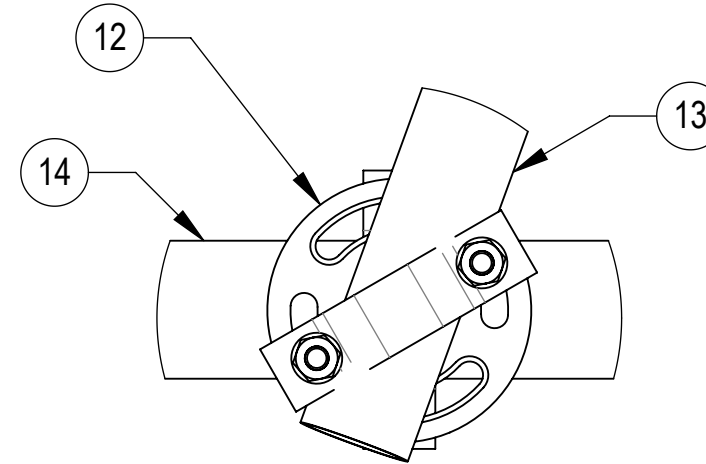
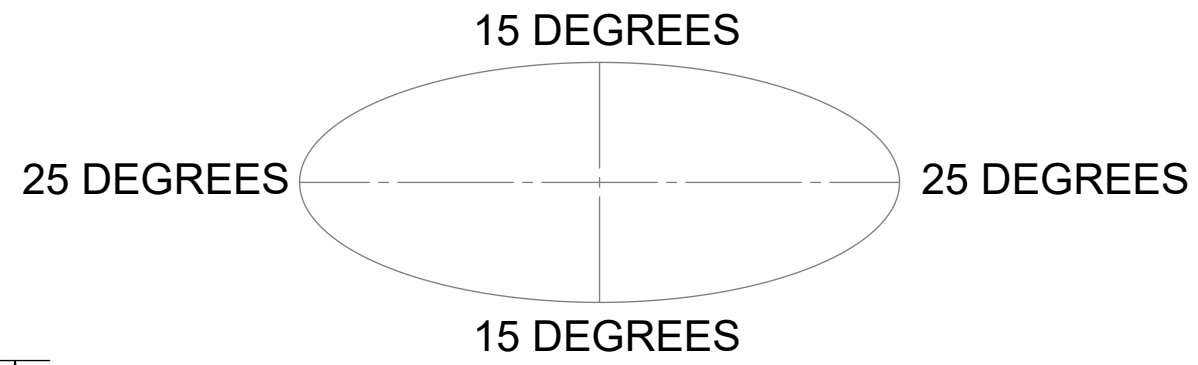
ITEM	PART NO.	DESCRIPTION	QTY.	WEIGHT	NOTE
1	SFG2270	BACK VERTICAL ARM MOUNT	3	36.96 LBS	
2	SFG2292-00	WELDMNT, V-ARM, SECTOR FRAME 22	6	49.69 LBS	
3	GB-04145	1/2" X 1-1/2" GALV BOLT KIT	6	0.13 LBS	
4	XAU01	ANGLE, CROSSOVER, 1.9-3.5" X 1.9-3.5" OD	6	2.98 LBS	
5	GUB-4240	1/2" X 2-1/2" X 4" GALV U-BOLT	6	0.56 LBS	
6	GUB-4352	1/2" X 3" X 5-1/4" GALV U-BOLT	12	0.71 LBS	
7	GWF-05	5/8" GALV FLAT WASHER, 1.7OD	6	0.06 LBS	
8	GB-05225	5/8" X 2-1/4" GALV BOLT KIT	30	0.28 LBS	
9	GUB-53560	5/8" X 3-5/8" X 6" GALV U-BOLT	12	1.30 LBS	
10	MC-RM1550-3	15" - 50" OD RINGMOUNT	2	229.90 LBS	
11	XP-2025	CROSSOVER PLATE KIT, 2-3/8 OD X 2-7/8 OD	24	12.61 LBS	QTY SEE INDIVIDUAL DRAWING
12	XP-R	CROSSOVER PLATE, ROUND, UP TO 3.5" OD	6	6.20 LBS	
13	MT-651-84	2.375" OD X 84" PIPE	6	20.35 LBS	
14	MT-546-174	PIPE, 2.875"OD X 174"	6	84.30 LBS	PART NO. SEE INDIVIDUAL DRAWING
15	MT-651-96	2.375" OD X 96" PIPE	12	23.05 LBS	PART NO. AND QTY SEE INDIVIDUAL DRAWING
16	SFG2254	LABEL, SFG22HD	3	0.04 LBS	

COMMSCOPE, INC. OF NORTH CAROLINA				
TITLE MCG22HD STANDARD SECTOR FRAME SERIES				
SIZE C	SCALE 1:18	DOCUMENT NO. MCG22HD-STD		
DRAWING		VERSION	STATUS	REVISION
		06	RE	E
				SHEET 3 OF 9

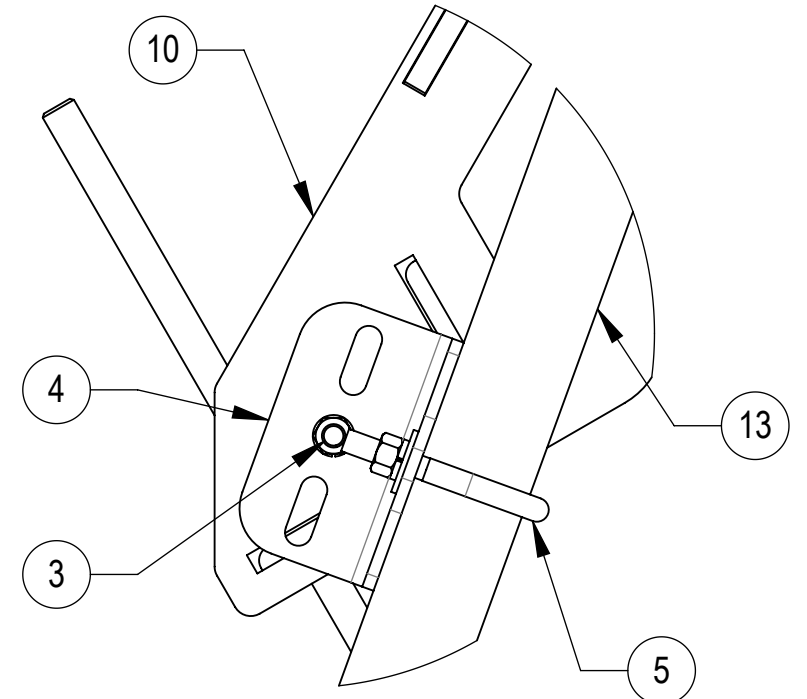


ALLOWABLE TIEBACK ANGLE

±15 DEGREES VERTICAL
±25 DEGREES HORIZONTAL

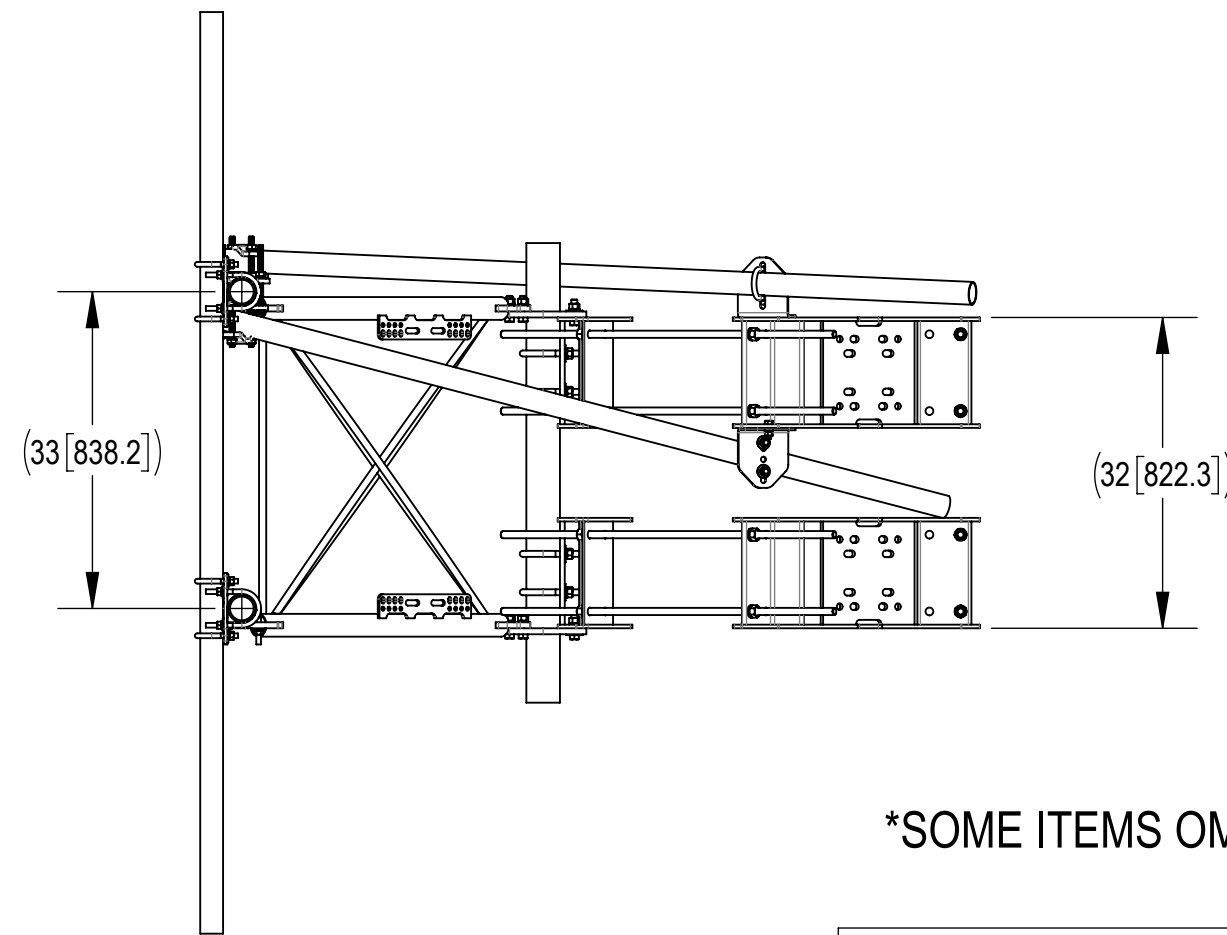
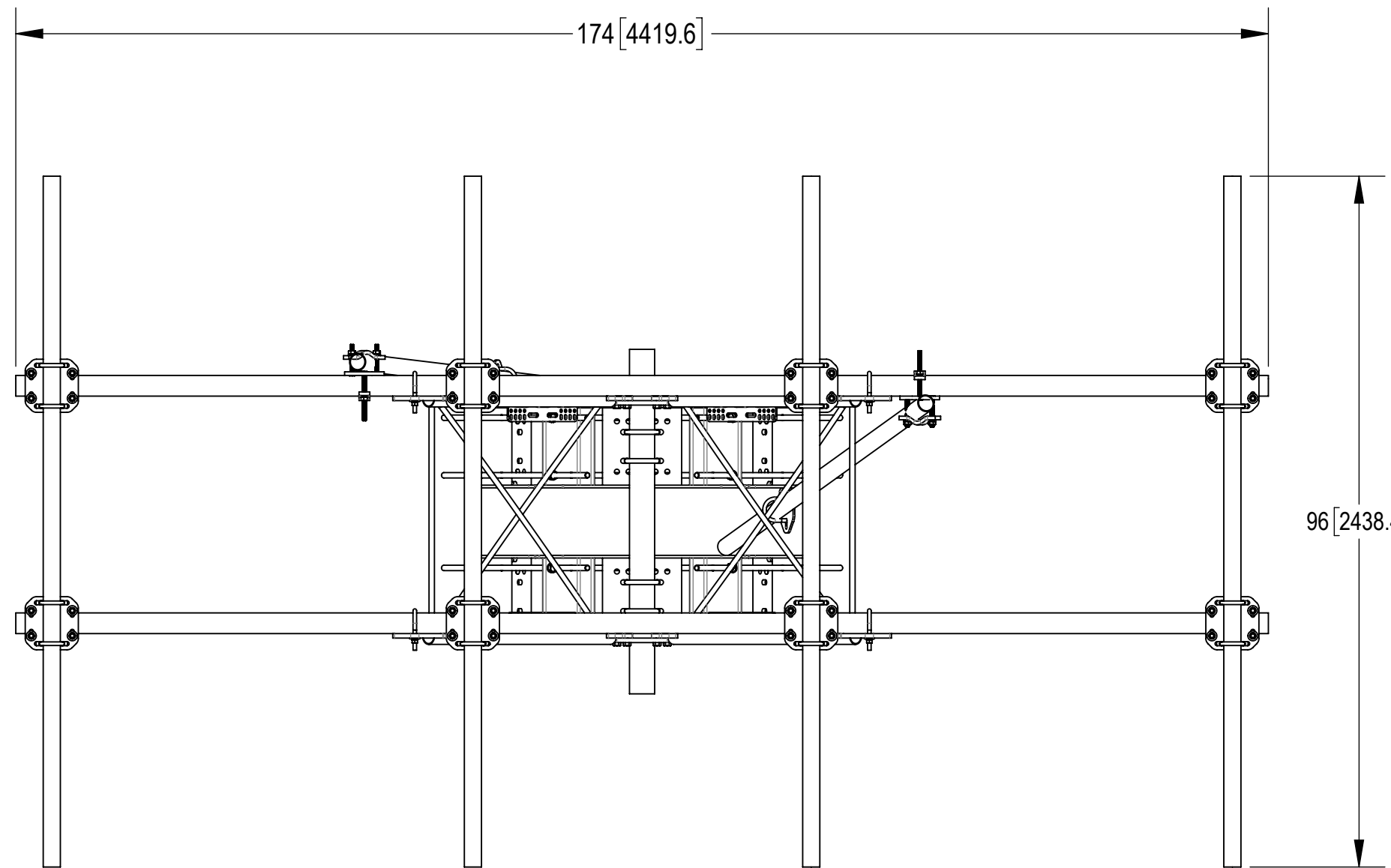


DETAIL D
SCALE 1 : 4



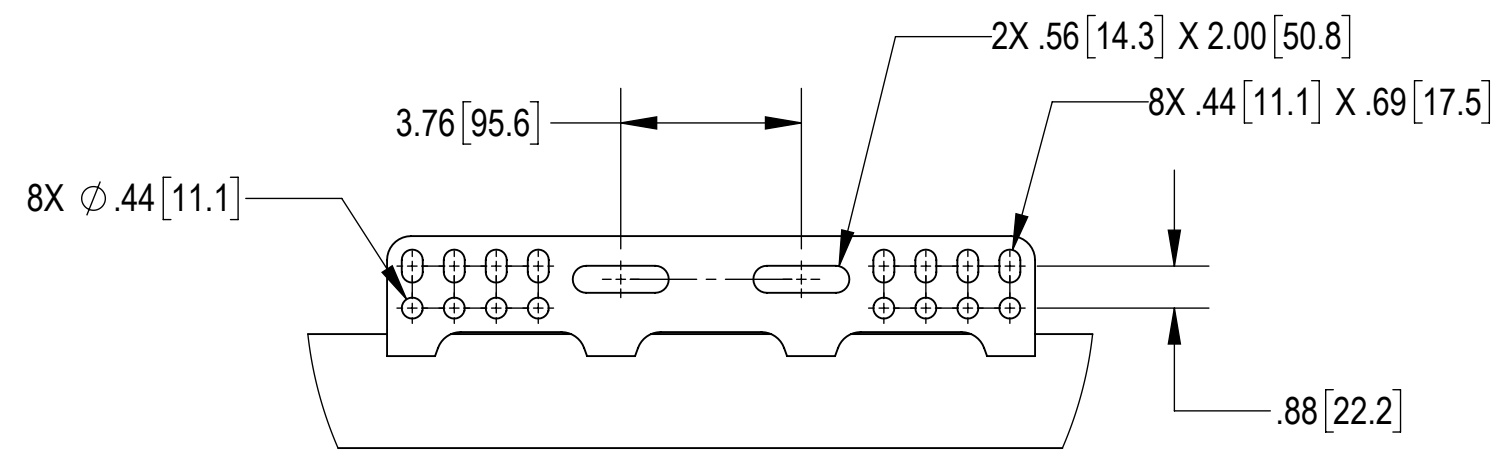
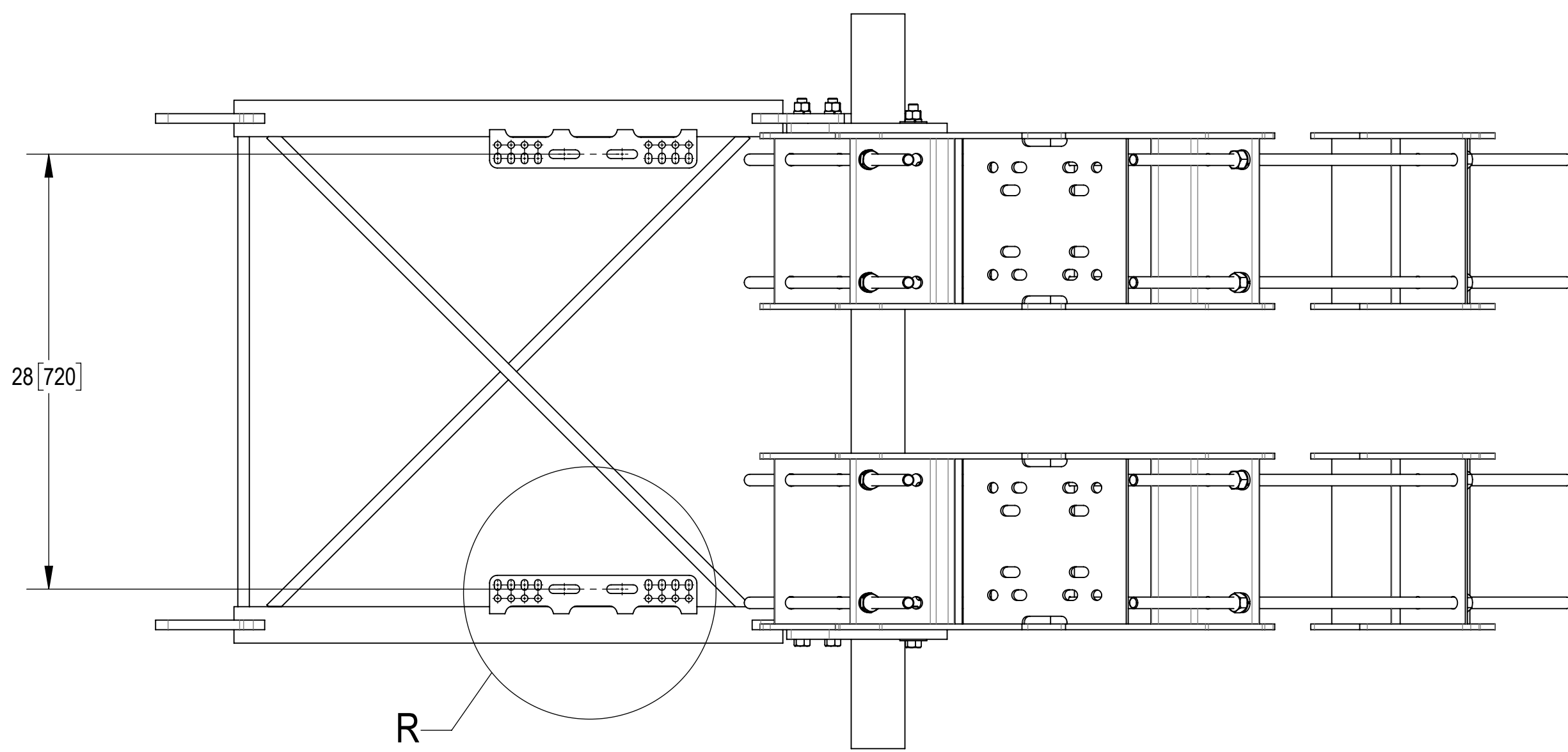
DETAIL C
SCALE 1 : 4

MCG22HD-14M-12-96 SHOWN FOR REFERENCE
(NOT ALL CONFIGURATIONS INCLUDE ALL ITEMS
SEE NOTES IN TABLE ON PAGE 3)



SOME ITEMS OMITTED FOR CLARITY

COMMSCOPE, INC. OF NORTH CAROLINA				
TITLE MCG22HD STANDARD SECTOR FRAME SERIES				
SIZE C	SCALE 1:20	DOCUMENT NO. MCG22HD-STD		
		DRAWING		SHEET
		VERSION	STATUS	REVISION
		06	RE	E
				SHEET 4 OF 9



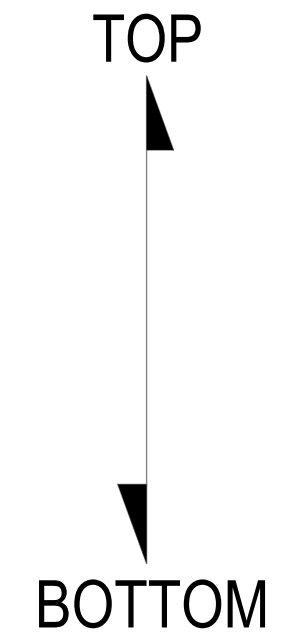
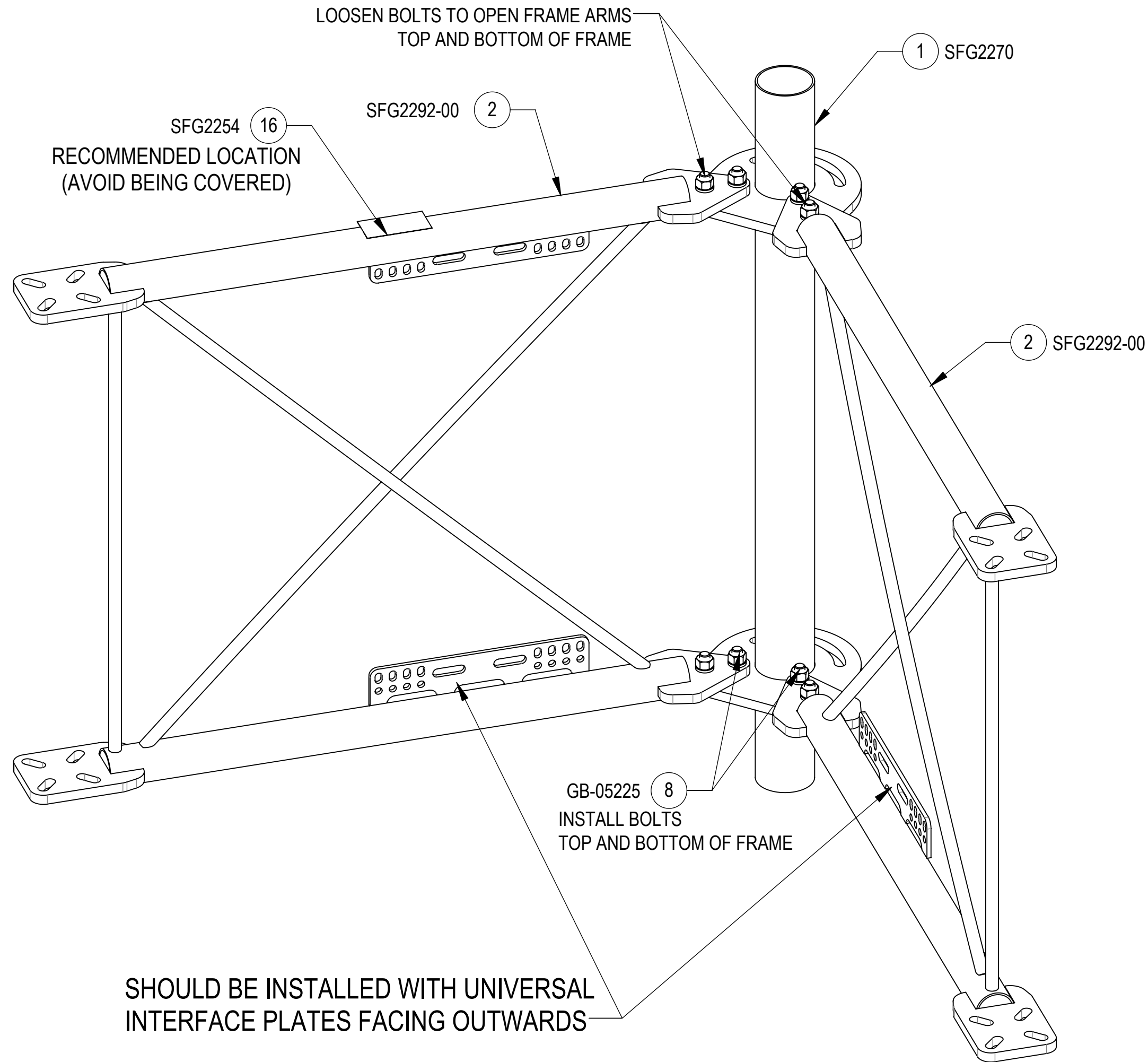
DETAIL R
SCALE 1 : 4

COMMSCOPE, INC. OF NORTH CAROLINA				
TITLE MCG22HD STANDARD SECTOR FRAME SERIES				
SIZE C	SCALE 1:32	DOCUMENT NO. MCG22HD-STD		
		DRAWING		SHEET
		VERSION 06	STATUS RE	REVISION E

INSTALLATION SEQUENCE - REFERENCE ONLY

STEP 1: LOOSEN BOLT KITS (GB-05225) TO OPEN FRAME SUPPORT ARMS. INSTALL ADDITIONAL 4X BOLT KITS (GB-05225).

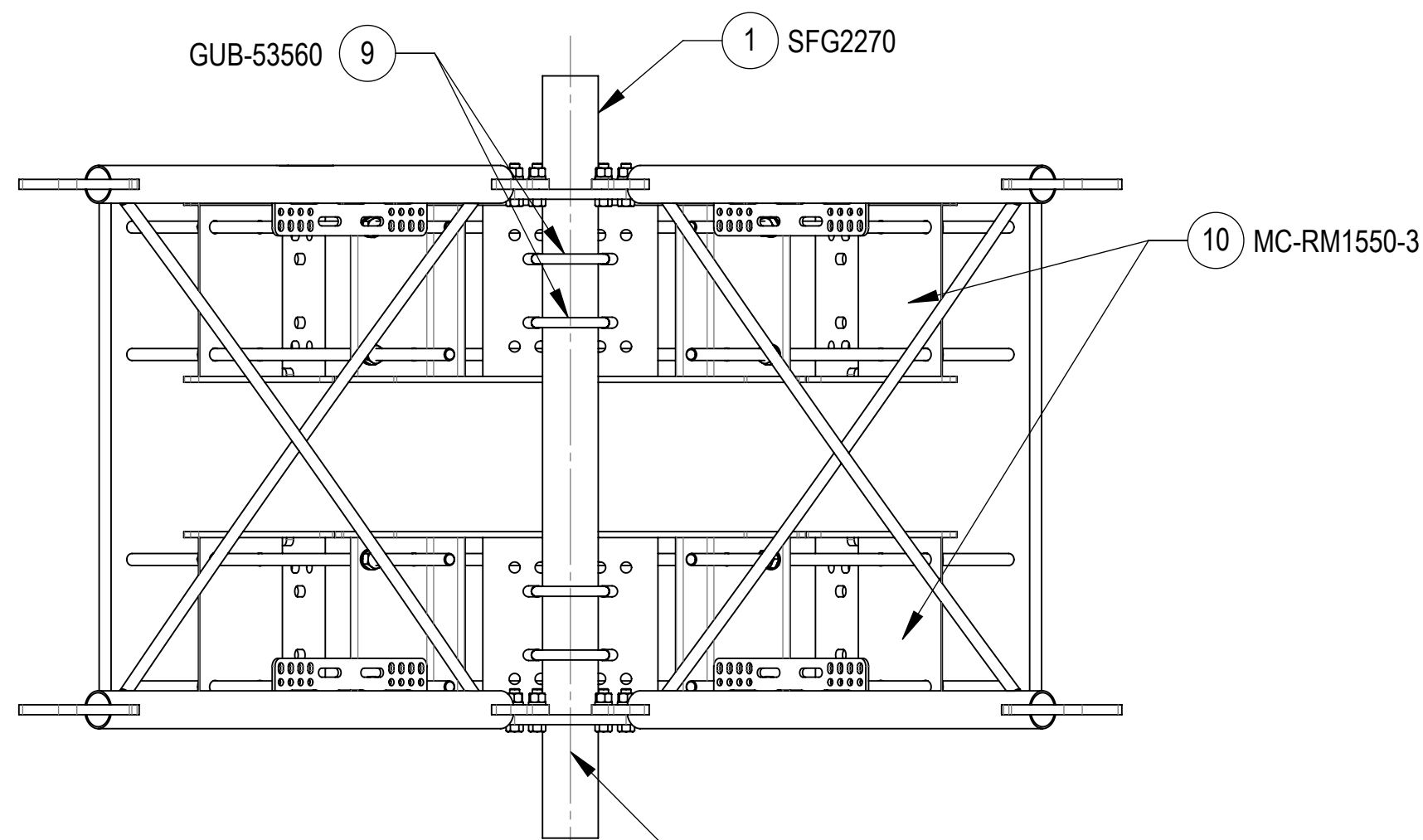
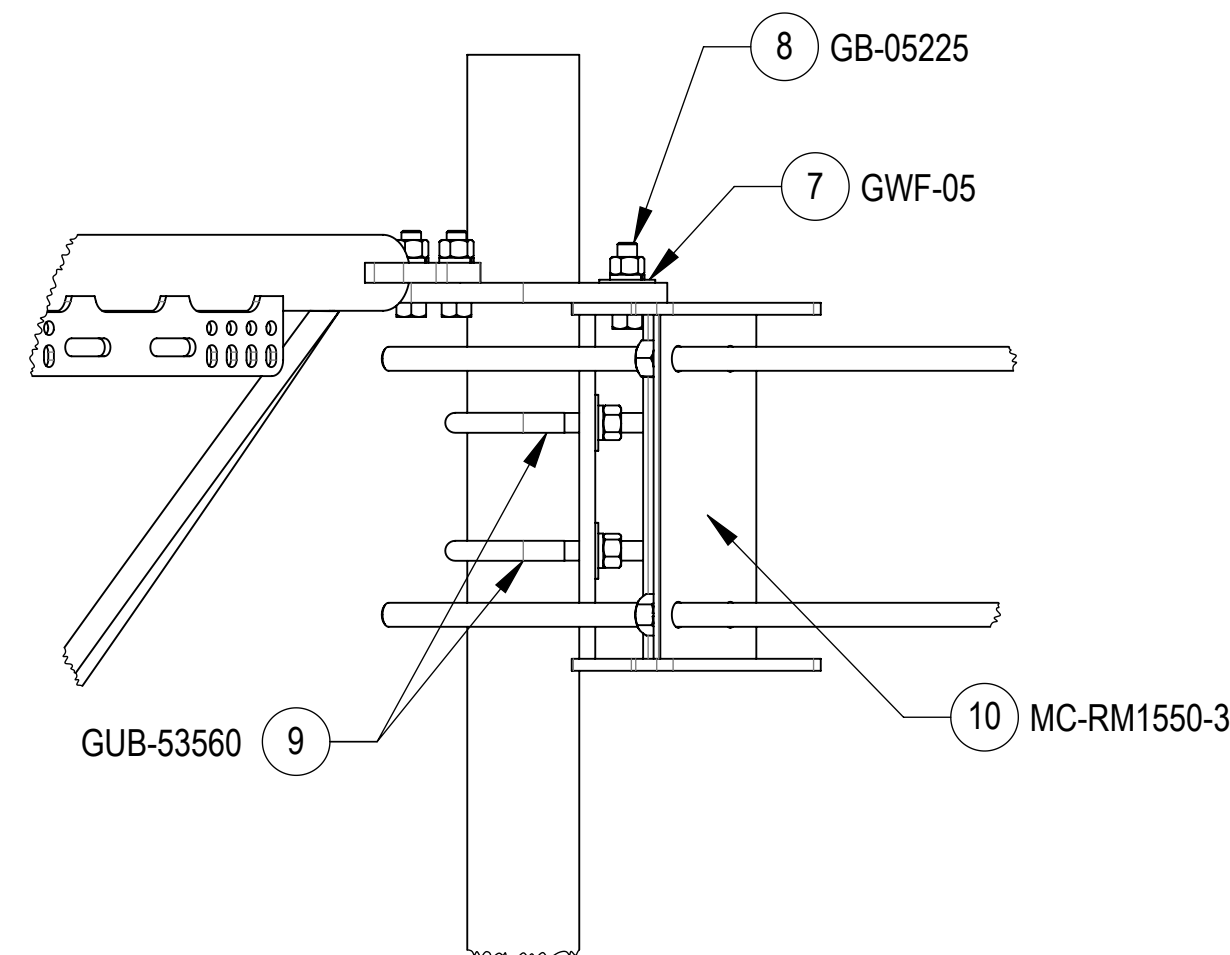
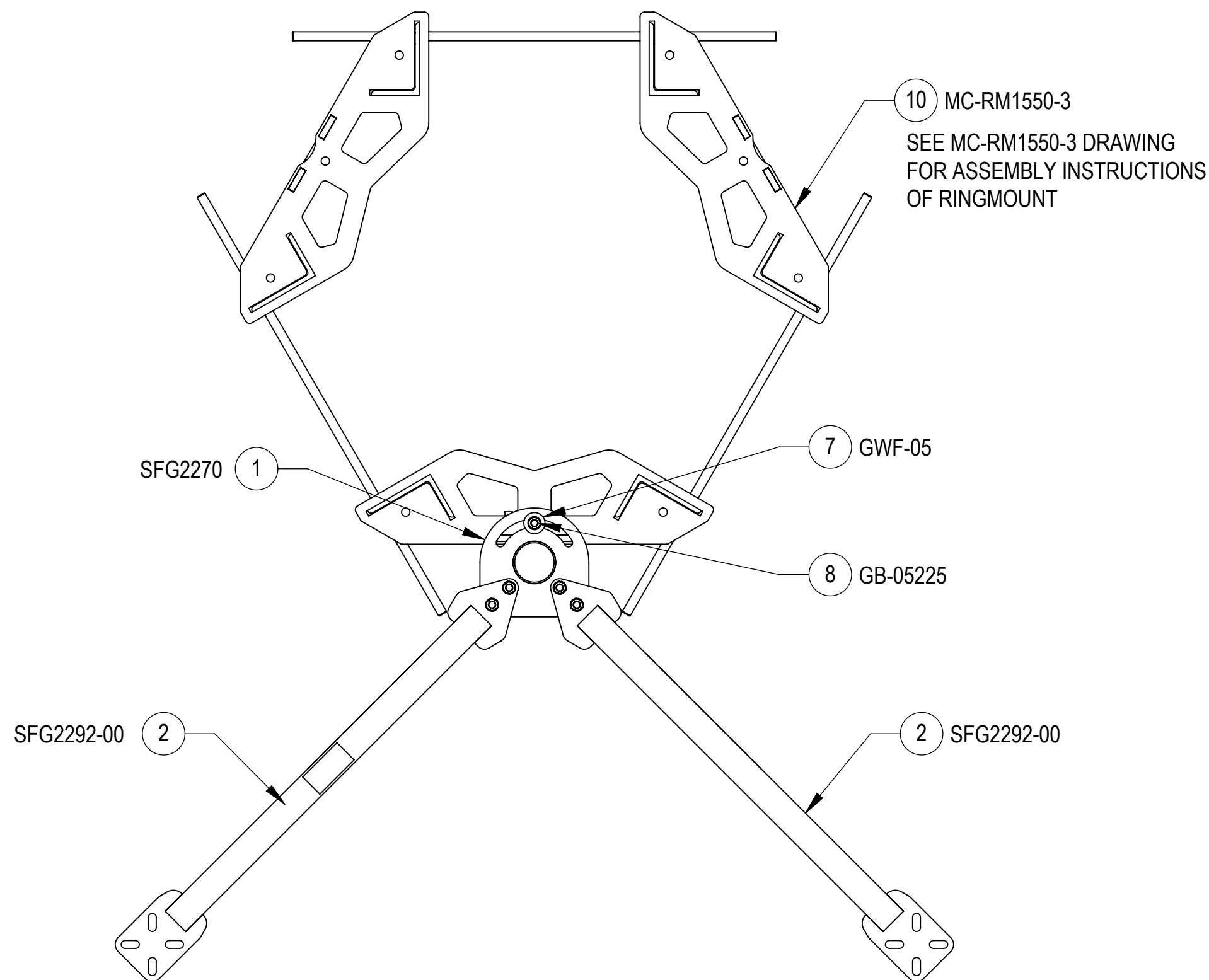
ATTACH LABEL (SFG2254) ON TOP OF STANDOFF ARMS (SFG2292-00). (WIPE GALVANIZED SURFACE WITH ALCOHOL CLEANER BEFORE APPLYING LABEL).



ISO VIEW

COMMSCOPE, INC. OF NORTH CAROLINA				
TITLE MCG22HD STANDARD SECTOR FRAME SERIES				
SIZE C	SCALE 1:18	DOCUMENT NO. MCG22HD-STD		
		DRAWING		SHEET 6 OF 9
		VERSION 06	STATUS RE	

STEP 2: ATTACH RINGMOUNT (MC-RM1550-3) TO BACK VERTICAL ARM MOUNT (SFG2270) USING BOLT KITS (GB-05225), FLAT WASHERS (GWF-05) AND U-BOLTS (GUB-53560).

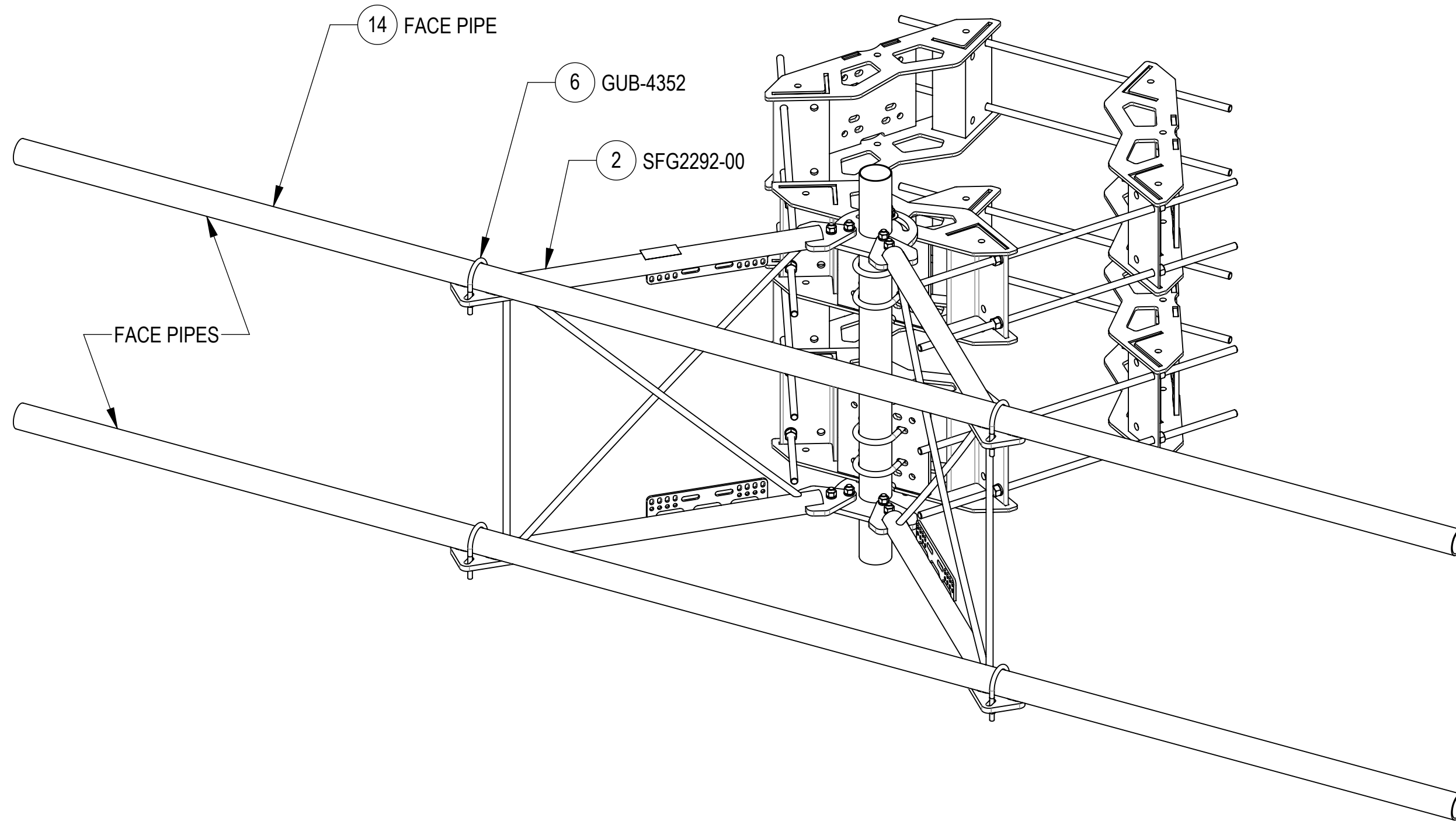


TOP
 ↓
 BOTTOM

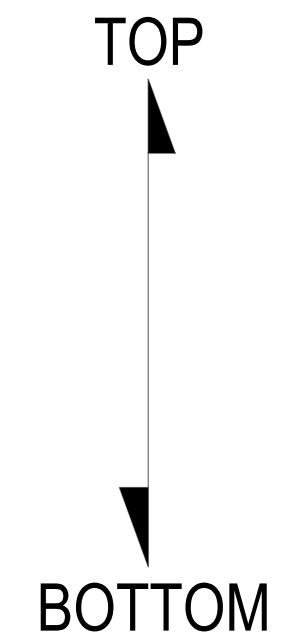
RINGMOUNT SECTOR CENTERLINES
 MUST VERTICALLY ALIGN TO ALLOW
 SECTOR FRAME SPINE PROPER MOUNTING

COMMSCOPE, INC. OF NORTH CAROLINA				
TITLE MCG22HD STANDARD SECTOR FRAME SERIES				
SIZE C	SCALE 1:18	DOCUMENT NO. MCG22HD-STD		
		DRAWING		SHEET
		VERSION 06	STATUS RE	REVISION E
				7 OF 9

STEP 3: ATTACH FACE PIPES TO STANDOFF ARMS (SFG2292-00) USING U-BOLTS (GUB-4352).

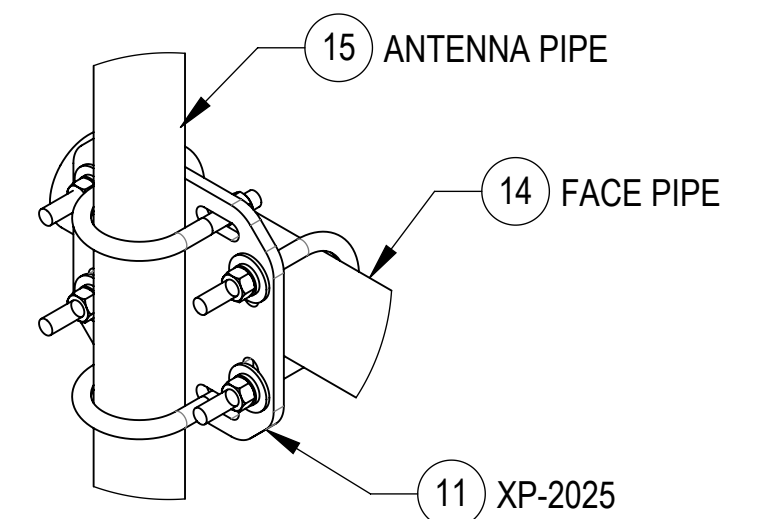
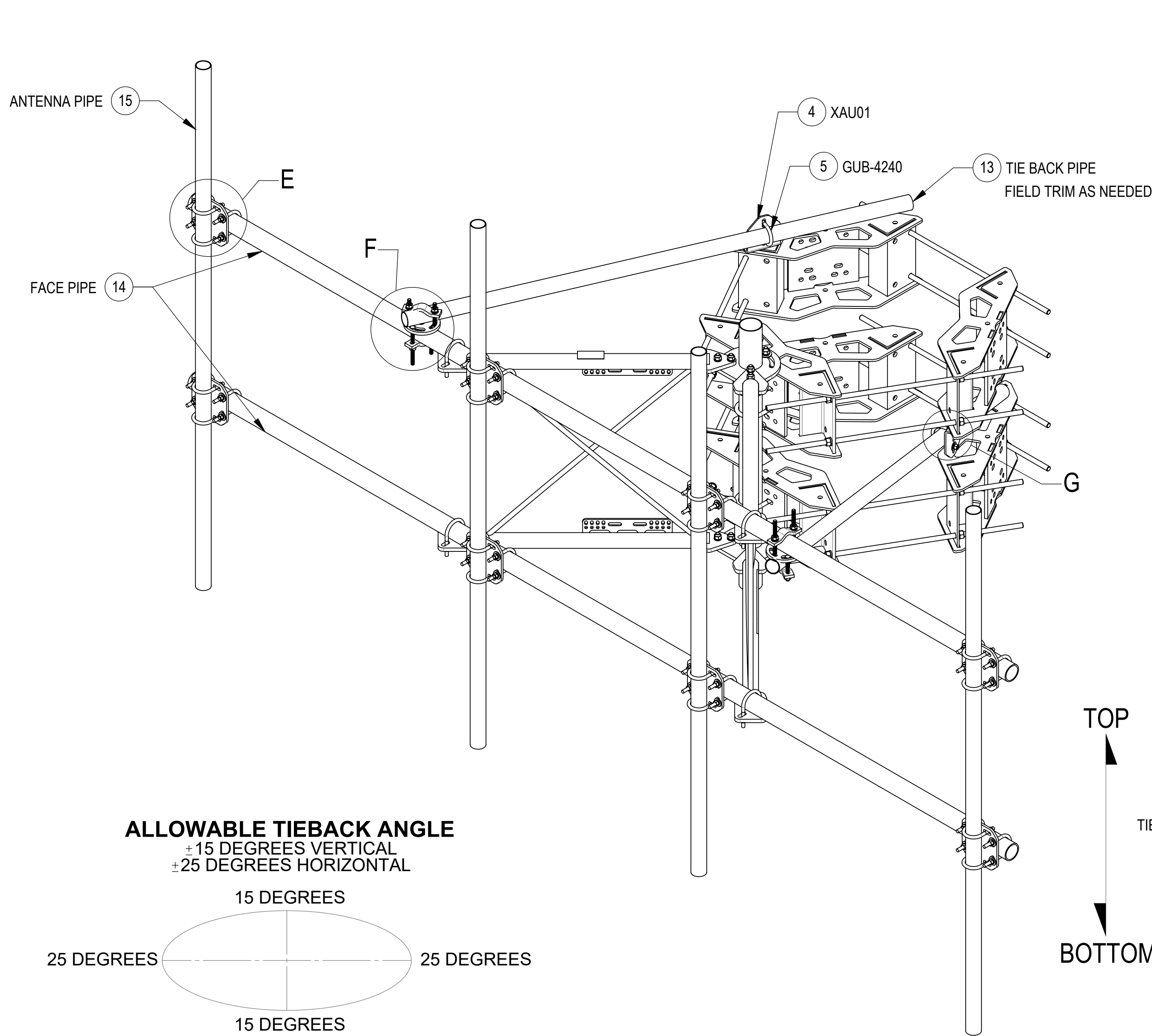


ISO VIEW

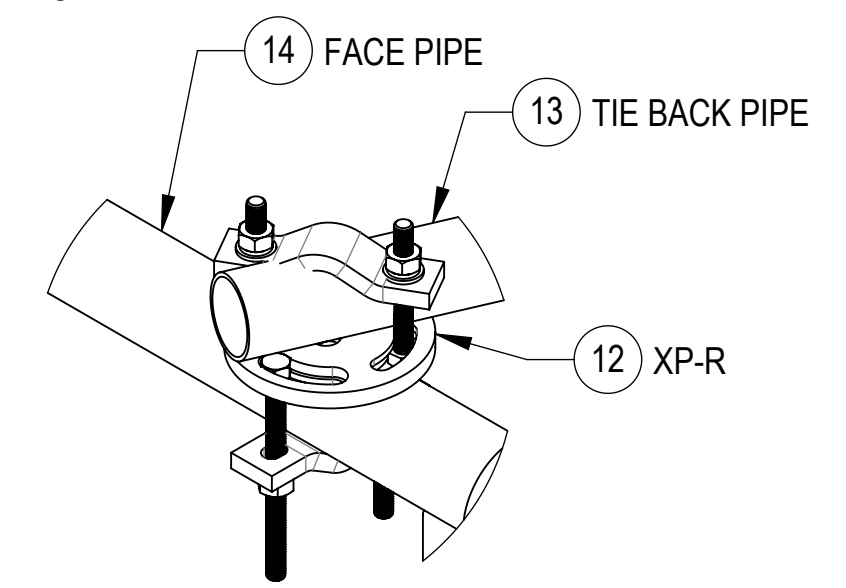


COMMSCOPE, INC. OF NORTH CAROLINA				
TITLE MCG22HD STANDARD SECTOR FRAME SERIES				
SIZE C	SCALE 1:18	DOCUMENT NO. MCG22HD-STD		
		DRAWING		SHEET 8 OF 9
		VERSION 06	STATUS RE	

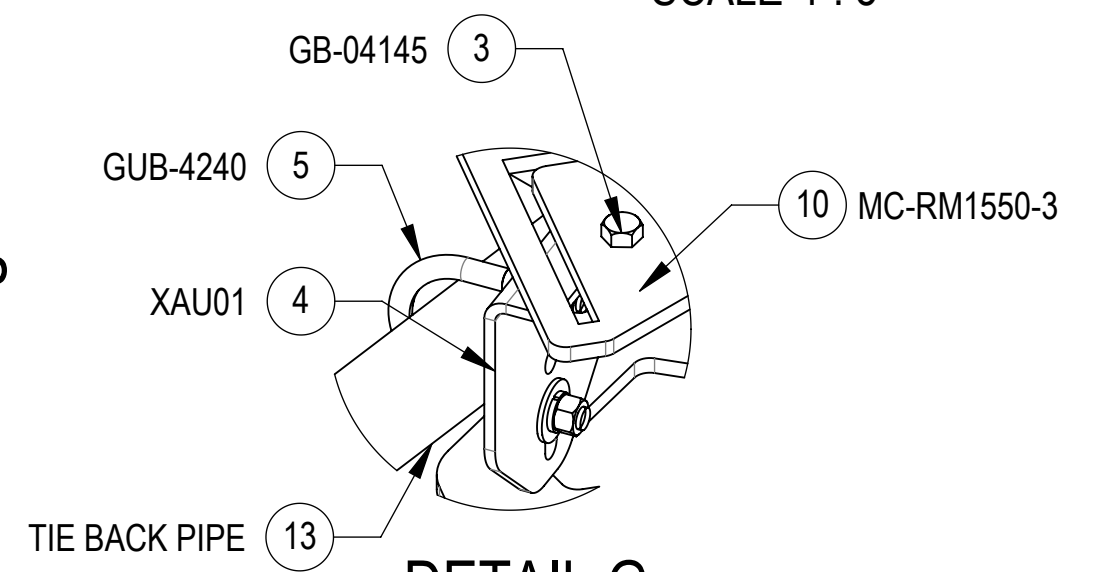
STEP 4: ATTACH ANTENNA PIPES TO FACE PIPES USING CROSSOVER PLATE KITS (XP-2025).
 ATTACH TIE BACK PIPES TO FACE PIPES USING ROUND CROSSOVER PLATE KITS (XP-R).
 ATTACH TIE BACK PIPES TO RINGMOUNT USING CROSSOVER ANGLES (XAU01), BOLT KITS (GB-04145) AND U-BOLTS (GUB-4240).



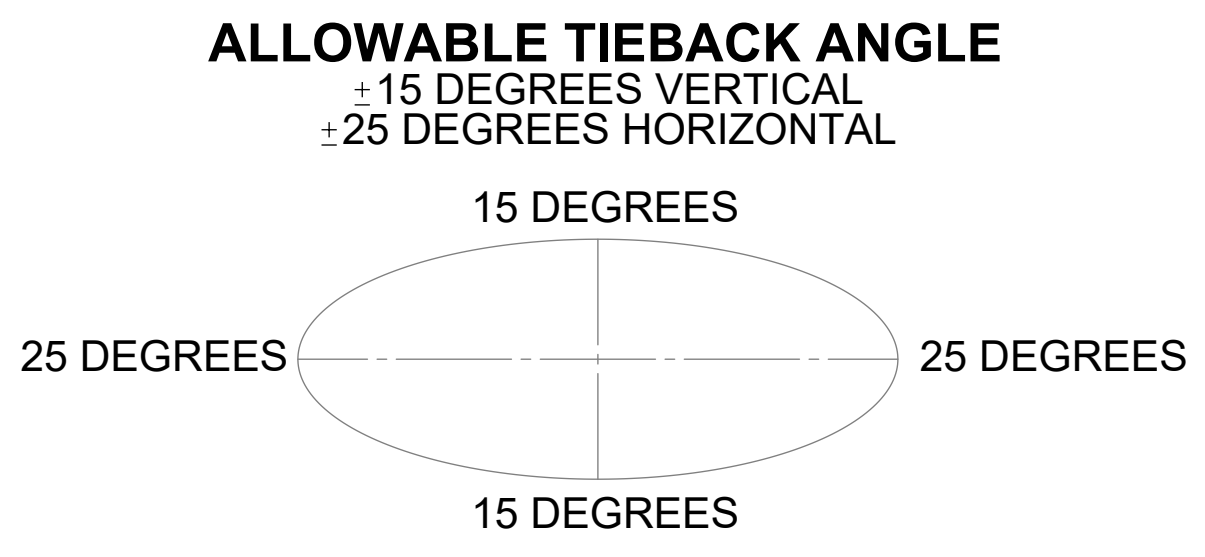
DETAIL E
SCALE 1 : 5



DETAIL F
SCALE 1 : 5



DETAIL G
SCALE 1 : 4



TOP
 ↓
 BOTTOM

ISO VIEW

COMMSCOPE, INC. OF NORTH CAROLINA				
TITLE MCG22HD STANDARD SECTOR FRAME SERIES				
SIZE C	SCALE 1:18	DOCUMENT NO. MCG22HD-STD		
		DRAWING		SHEET
		VERSION 06	STATUS RE	REVISION E
				9 OF 9