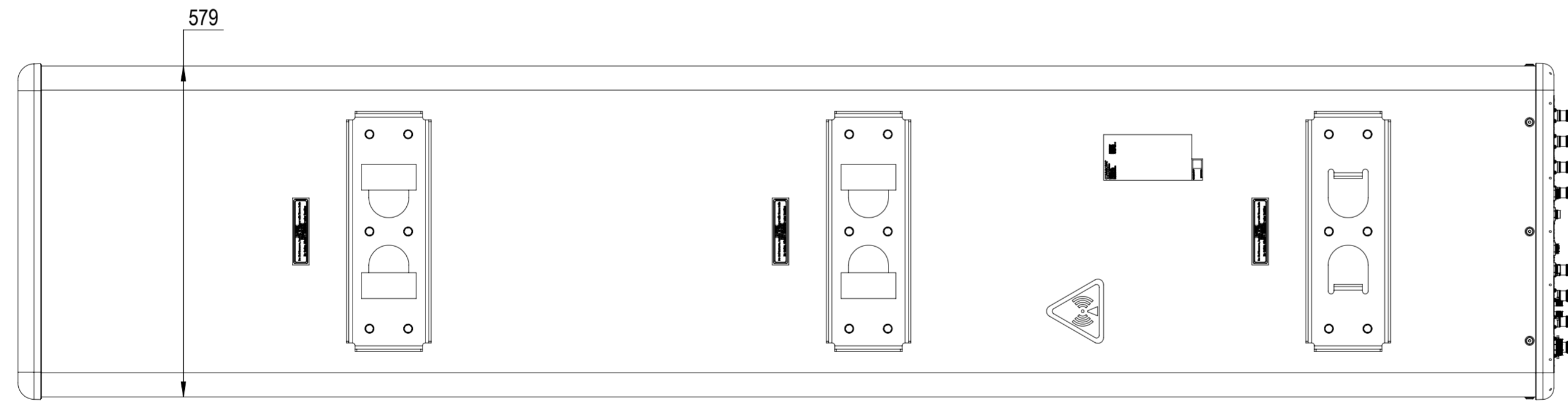
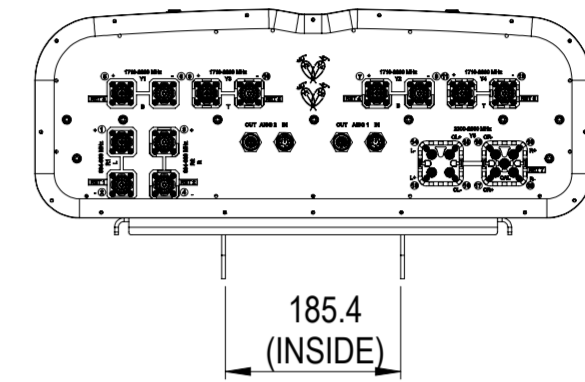
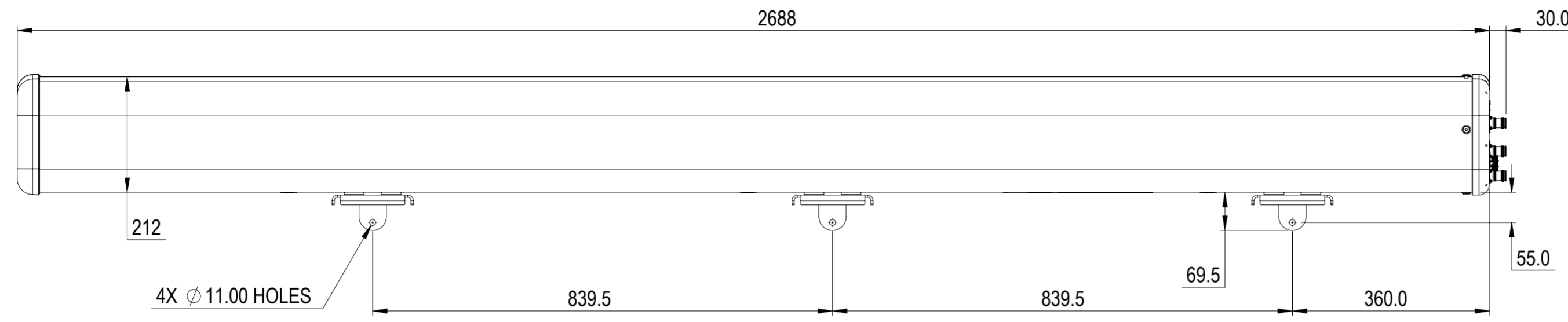


REVISIONS			
REV.	DESCRIPTION	DATE	APPROVED
A	ECR 15614PC: RELEASE TO PRODUCTION PER EAO 608142.	05JAN22 YZ	R.SU / PJ



RR2VVT4-6533D-R7

**COMMSCOPE, INC. OF NORTH CAROLINA**

TOLERANCES		SAP MATERIAL MASTER	
0 PLACE X ± 3	2 PLACE .XX ± 0.20		
1 PLACE .X ± 1.0	ANGLES ± 1°		
FINISH N/A		MATERIAL SEE BOM FOR MATERIAL LIST	
<small>UNLESS OTHERWISE SPECIFIED DIMENSIONS ARE IN MILLIMETERS INTERPRET PER ISO STANDARDS HANDBOOK TECHNICAL DRAWINGS VOLUMES 1 &amp; 2, THIRD EDITION (2002)</small>		NAME	DATE
		CE	
		RW	
		AD	
		RE	
ECN		TITLE <b>PRODUCT DRAWING</b>	
SCALE <b>1:8</b>	DOCUMENT NO. <b>RR2VVT4-6533D-R7-L</b>		
SIZE <b>A2</b>	Auth Group	MODEL	DRAWING
		VERSION	STATUS
		REVISION	VERSION
			STATUS
			REVISION
			SHEET
			<b>1 OF 1</b>

DENSITY	g/mm <sup>3</sup>
MASS	grams
VOLUME	mm <sup>3</sup>
SURFACE AREA	mm <sup>2</sup>
HEIGHT	
LENGTH	
WIDTH	