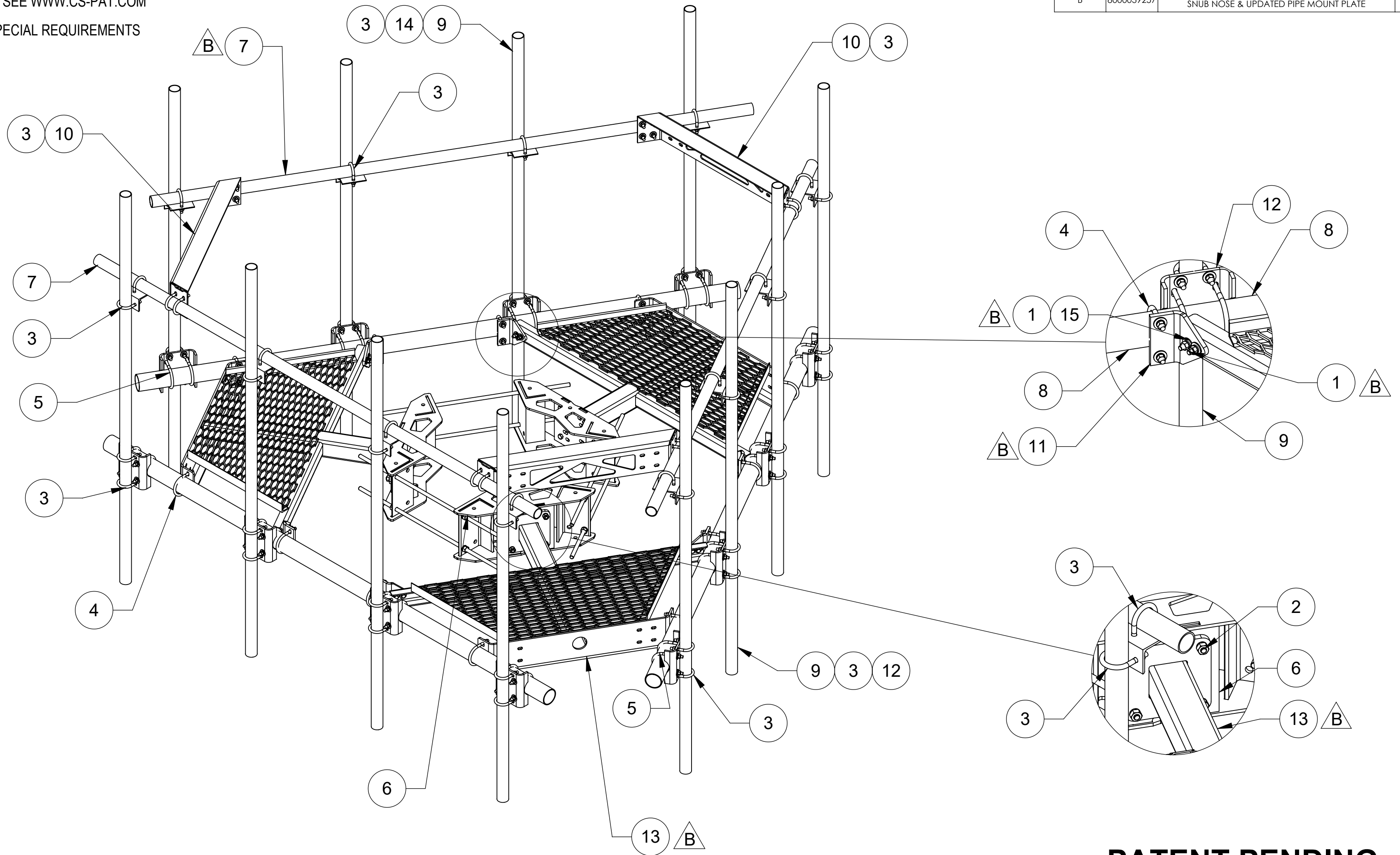


NOTES:

- 1.0 GENERAL
  - 1.1 ALL METRIC DIMENSIONS ARE IN BRACKETS
  - 1.2 FOR PATENTS, SEE WWW.CS-PAT.COM
- 2.0 DESIGN NOTES
- 3.0 MANUFACTURING/SPECIAL REQUIREMENTS
- 4.0 TEST
- 5.0 PACKAGING

REVISIONS				
REV.	ECN	DESCRIPTION	BY	DATE
A	8000026787	INITIAL RELEASE	MRC	04/05/18
B	8000039257	UPDATED HR PIPE TO SCH 40 AND UPDATED WELDMENT SNUB NOSE & UPDATED PIPE MOUNT PLATE	MRC	02/14/20



**PATENT PENDING**

**COMMSCOPE, INC. OF NORTH CAROLINA**

TOLERANCES		SAP MATERIAL MASTER	
0 PLACE $x \pm .25$	2 PLACE $.xx \pm 0.06$	<b>MC-PK10-C</b>	
1 PLACE $x \pm 0.12$	ANGLES $\pm 2^\circ$		
FINISH GALV A123		MATERIAL A500, A1011/A1018	
UNLESS OTHERWISE SPECIFIED DIMENSIONS ARE IN INCHES INTERPRET PER ANSI Y 14.5M-1994	NAME	DATE	TITLE
	CE MRC	02/14/20	<b>10'6\"/&gt; </b>
	RW MC1107	02/27/2020	
	RV		
	AD BCAMPBELLCON	02/27/2020	
RE FA1024	02/27/2020		
ECN 008000039257	SCALE	DOCUMENT NO.	
	<b>1:16</b>	<b>MC-PK10-C</b>	
SIZE	WORK AREA 24	MODEL	
<b>C</b>		VERSION	DRAWING
		01	STATUS
		RE	REVISION
		B	VERSION
		01	STATUS
		RE	REVISION
		B	SHEET
			1 OF 2

ITEM	PART NO.	DESCRIPTION	QTY.	NOTE NO.
1	GB-04205	1/2" X 2" GALV BOLT KIT	12	B
2	GB-0520A	5/8" X 2" GALV BOLT KIT (A325)	12	
3	GUB-4240	1/2" X 2-1/2" X 4" GALV U-BOLT	60	
4	GUB-4355	1/2" X 3-5/8" X 5" GALV U-BOLT	12	
5	GUB-4356	1/2" X 3-5/8" X 6" GALV U-BOLT	24	
6	MC-RM1550-3	12" - 50" OD RINGMOUNT	1	
7	MT651126154	2-38" O.D. X 126" PIPE, SHD 40	3	B
8	MT-547-126	Ø 3.5" O.D. X 126 PIPE	3	
9	MT-651-96	Ø 2.375" OD X 96" PIPE	12	
10	MT195801	Corner Weldment Snub Nose Handrail	3	
11	MTC300618	MT196 Pipe Mount Plate	6	B
12	MT21701	PIPE MOUNT PLATE	12	
13	MTC300602	LOW PROFILE CO-LOCATION PLTFM SNUB NOSE	3	B
14	XA2020.01	ANTENNA MOUNT ANGLE	12	
15	GWF-04	1/2" GALV FLAT WASHER	24	

DENSITY	0.15	lbs/in <sup>3</sup>
MASS	1582.84	lbs
VOLUME	10271.93	in <sup>3</sup>
SURFACE AREA		in <sup>2</sup>
HEIGHT		
LENGTH		
WIDTH		

4

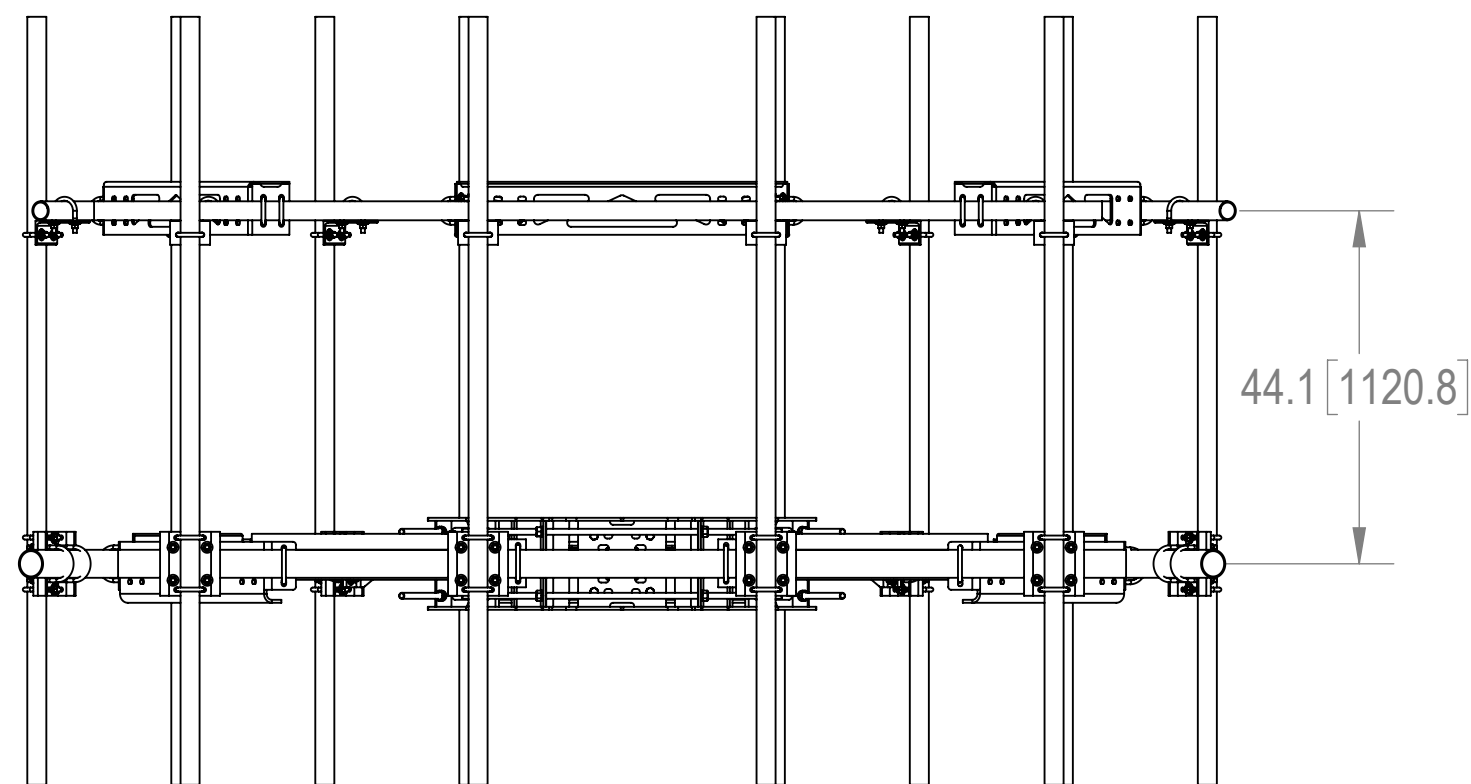
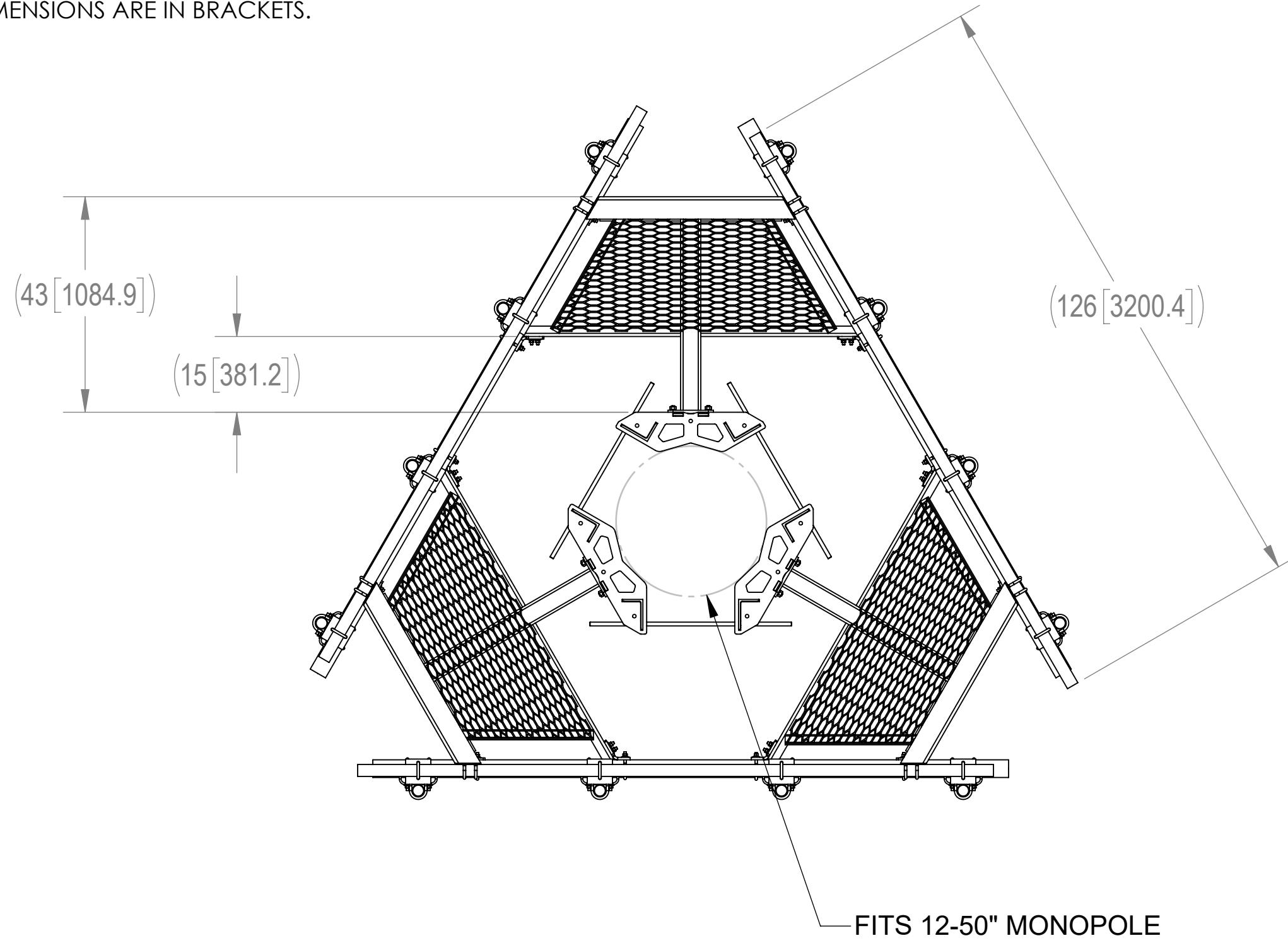
3

2

1

NOTES:

1.0 ALL METRIC DIMENSIONS ARE IN BRACKETS.



COMMSCOPE, INC. OF NORTH CAROLINA				
TITLE 10'6 FACE SNUB NOSE PLATFORM 12 PIPES				
SIZE <b>C</b>	SCALE <b>1:24</b>	DOCUMENT NO. <b>MC-PK10-C</b>		
		DRAWING		SHEET
		VERSION	STATUS	REVISION
		02	RE	B
				2 OF 2

4

3

2

1