

FIST-EDSA2



FIST® EDSA2 Fiber Optic Splice Closure

The FIST-EDSA2 FTTH closure enables faster and easier installation of a large amount of drop cables and micro ducts. The FIST-EDSA2 closure features innovative sealing and cable retention for a range of cables, combined with proven gel seal technology and FIST fiber management hardware.

Key features of the FIST-EDSA2 closures:

- Single-ended base and dome design with only two latches
- One oval shaped gel-sealed wrap around feeder port for up to 2 feeder cables or microtubes
 - Feeder loop possibility
 - Double layer gel seal for water/gas blocking
 - Feeder cable diameter 4 to 16 mm (0.157 to 0.630 in)
- Four long oval-shaped gel-sealed wrap around drop ports for up to 12 drop cables each (maximum 48 drops)
 - Direct buried cables or microtubes
 - Drop cable diameter range: 5 to 8 mm (0.197 to 0.315 in)
- One round entry/exit port for use with multi-out gel seal kits (FIST-RSKG)
 - Blown, standard, mini- and micro-drop cables
 - Drop cable diameter range: 0 to 14 mm (0 to 0.551 in)
- Fast, easy, toolless installation
- FIST fiber management system
- Repair and upgrade possibility
- Intuitive identification
- Reliable cable attachment systems

Product Classification

Regional Availability	Australia/New Zealand EMEA Latin America
Product Type	Single-ended, rectangular fiber closure
Product Brand	FIST®
Product Series	FIST-EDSA2
Ordering Note	Splice tray kits, mounting bracket and drop seals to be ordered separately

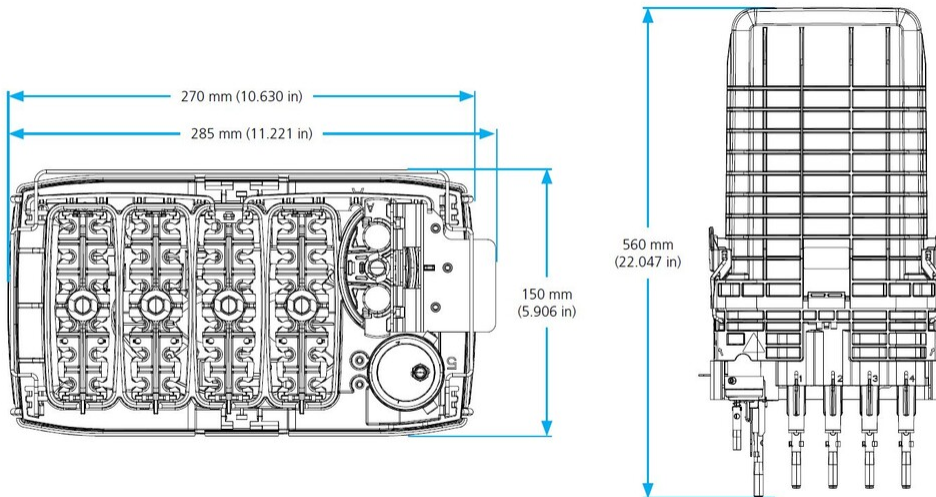
General Specifications

Cable Entry Drop Port Style	Gel block
Cable Entry Main Port Style	Gel block

FIST-EDSA2

Cable Ports Quantity, total	1 oval port (2 cables) + 5 multi-out ports (64 cables)
Cable Sealing Type	Compressed gel
Closure Sealing Type	Side latch
Closure Style	Single-ended
Color	Black
Mounting	Handhole Manhole Wall
Network Area Type	Distribution Drop
Splice Tray Included, quantity	0
Splice Tray Type Included	No trays
Splicing Type, Supported	Single fusion

Dimension Drawing



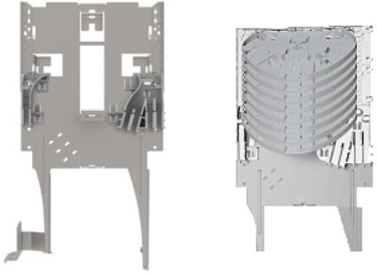

Splicing Configuration

FIST-EDSA2

	Standard splice version D5		High capacity splice version D5H	
	Trays	Fibers	Trays	Fibers
UMS units	16		24	
Single circuit cassettes SC (up to 4 splices)	16	64	24	96
Single element cassettes SE (up to 12 splices)	8	96	12	144
Single element cassettes slim SLE (up to 12 splices)	16	192	24	288

Ordering Tree

FIST-EDSA2-D -

5	<p>Standard splice version</p> 
5H	<p>High capacity version*</p>  <p>* with Fiber Arrangement System (FAS) block</p>

N	No valve
V	Valve

Kit includes:

- Closure with feeder seal
- UMS mounting frame
- FAS block and/or tube holder

FIST-EDSA2

Material Specifications

Material Type Impact-resistant polymer

Environmental Specifications

Environmental Space Above ground | Aerial | Below ground | Buried

Qualification Standards IEC 60529, IP68 + 2 m waterhead

Water Resistance 20 kPa

Regulatory Compliance/Certifications

Agency

ISO 9001:2015

Classification

Designed, manufactured and/or distributed under this quality management system

