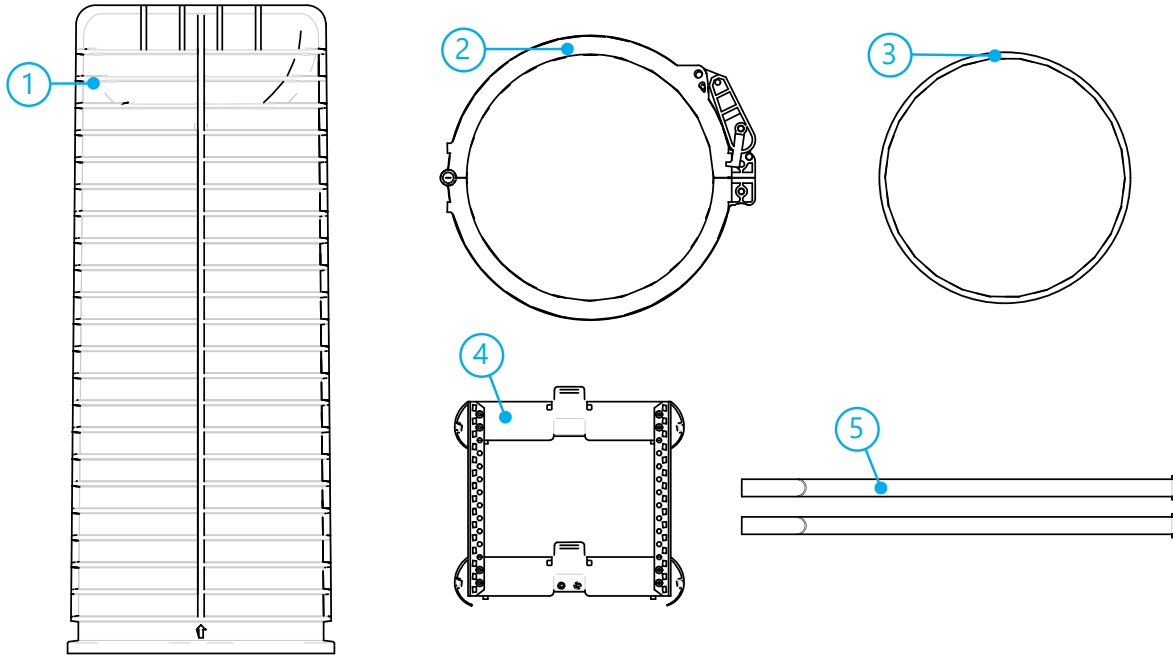


FIST-GC02-BC2BE extension kit

1 Kit contents

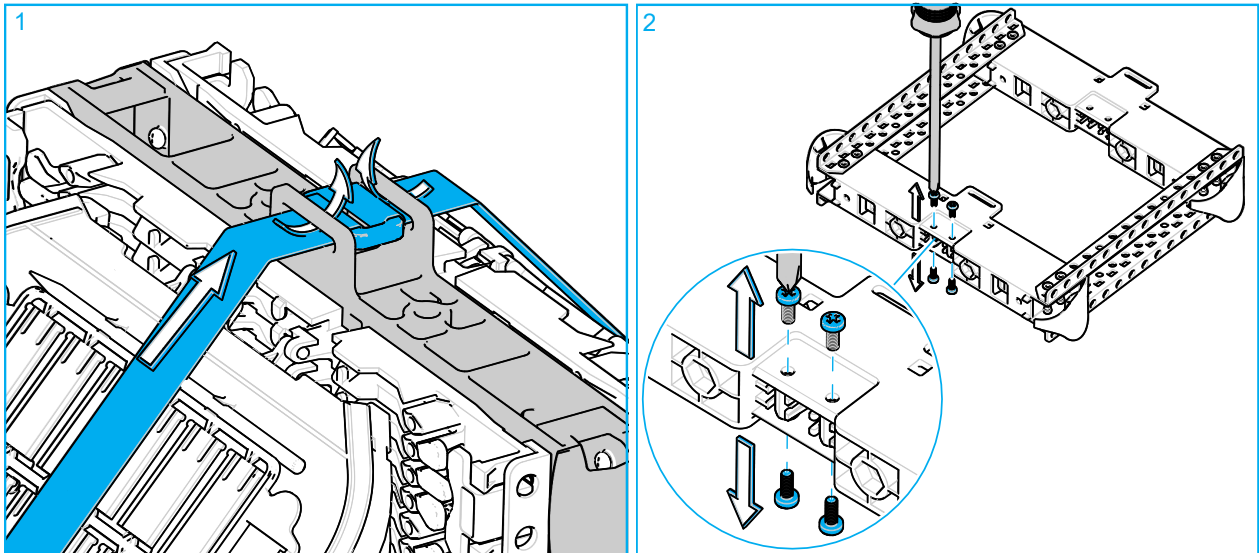


N°	Description	Qty
1	Dome BE	1
2	clamp	1
3	O-ring	1
4	UMS extension	1
5	Hook and loop fasteners	2

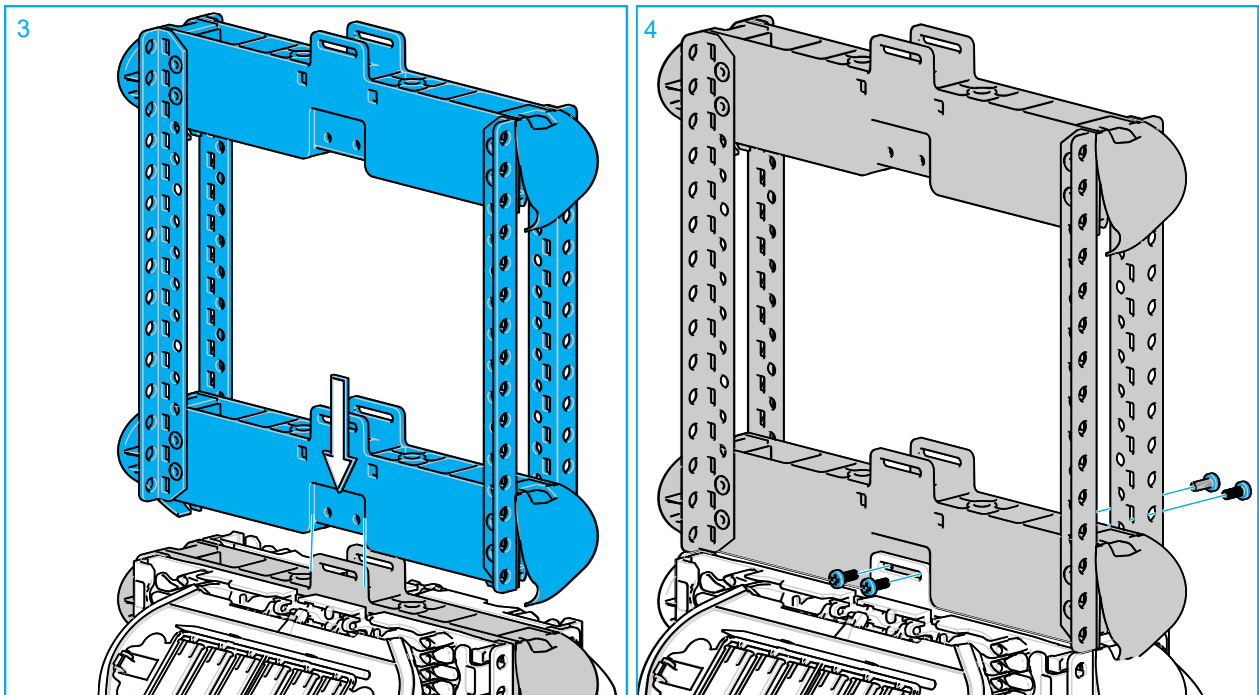
2 UMS units

This extension kit provides an additional 28 UMS units to each side.

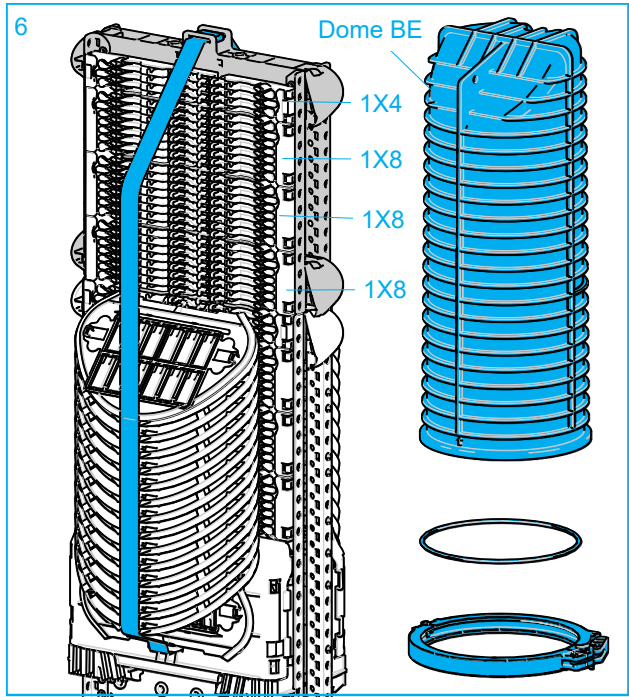
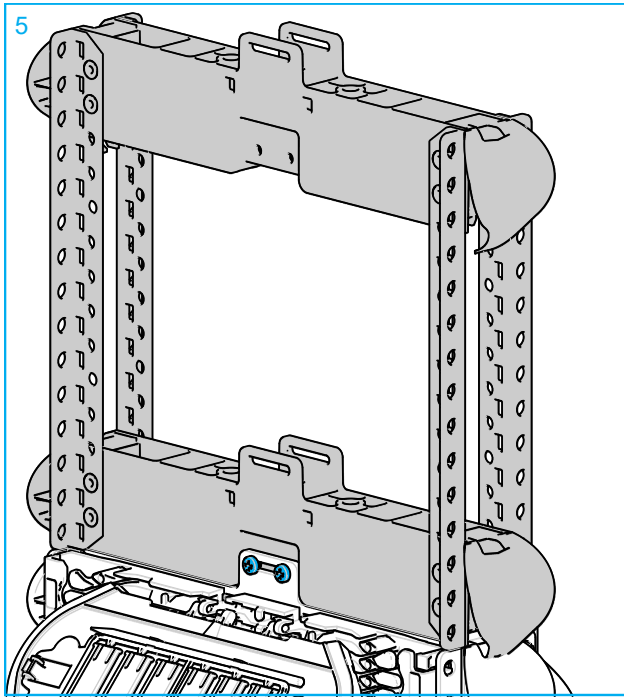
3 Install the BC2BE UMS extension



- 1 Remove the current hook and loop fasteners.
- 2 Loosen the 4 screws of the UMS extension and put these aside.



- 3 Position the UMS extension on the top bracket as shown.
- 4 Insert the 4 screws again and secure.



5 UMS extension installed.

6 3 1x8 grooveplates and 1 1x4 grooveplate can now be added (28 UMS units) per side. These grooveplates are not a part of the kit. Install the new hook and loop fasteners, seal, dome and clamp.