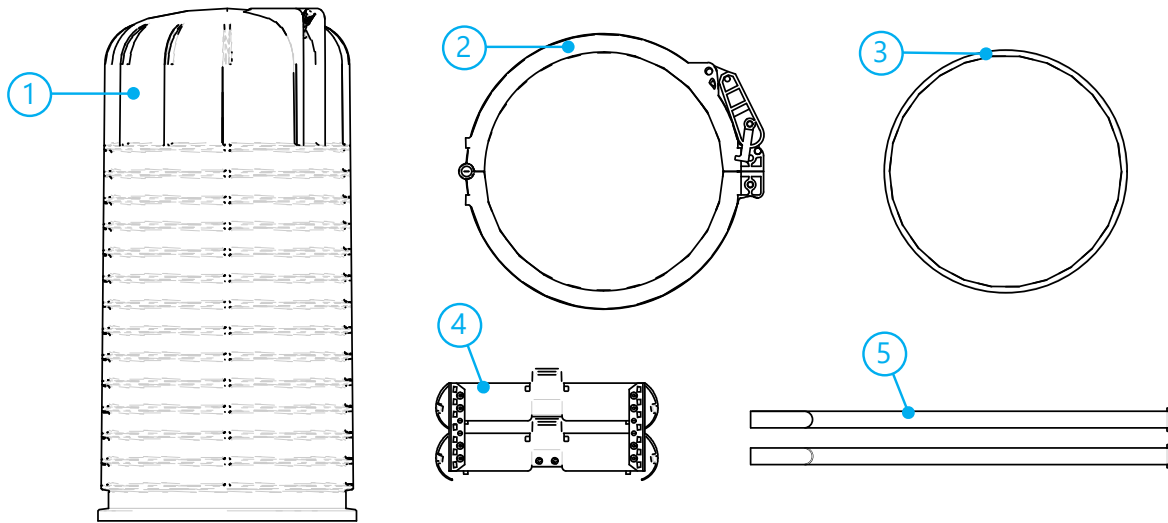


FIST-GC02-BC2BD extension kit

1 Kit contents

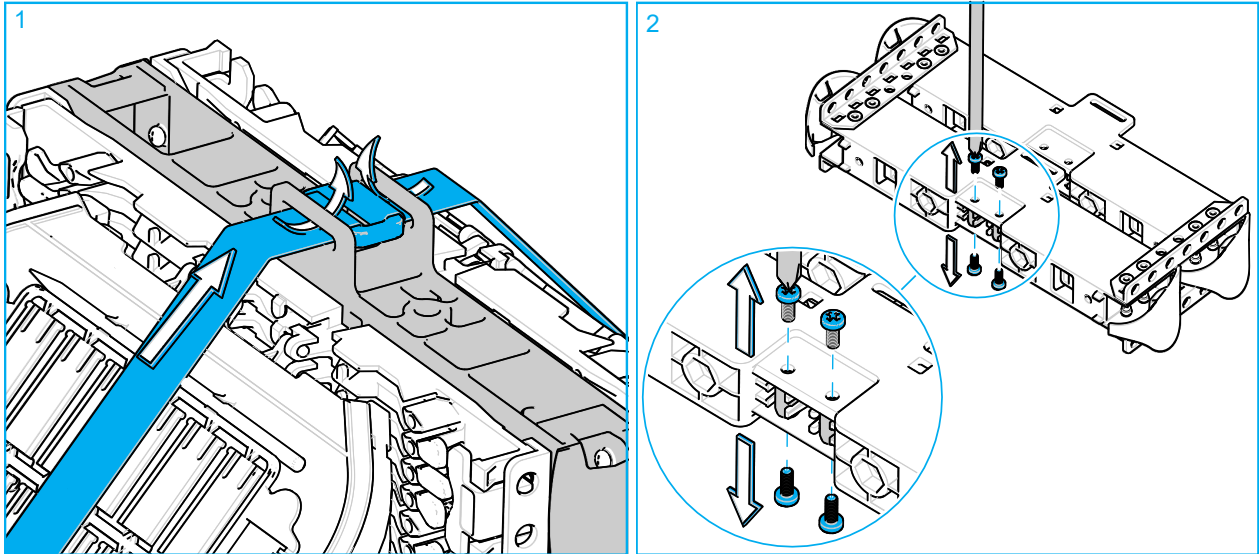


| N° | Description | Qty |
|----|-------------------------|-----|
| 1 | Dome BD | 1 |
| 2 | clamp | 1 |
| 3 | O-ring | 1 |
| 4 | UMS extension | 1 |
| 5 | Hook and loop fasteners | 2 |

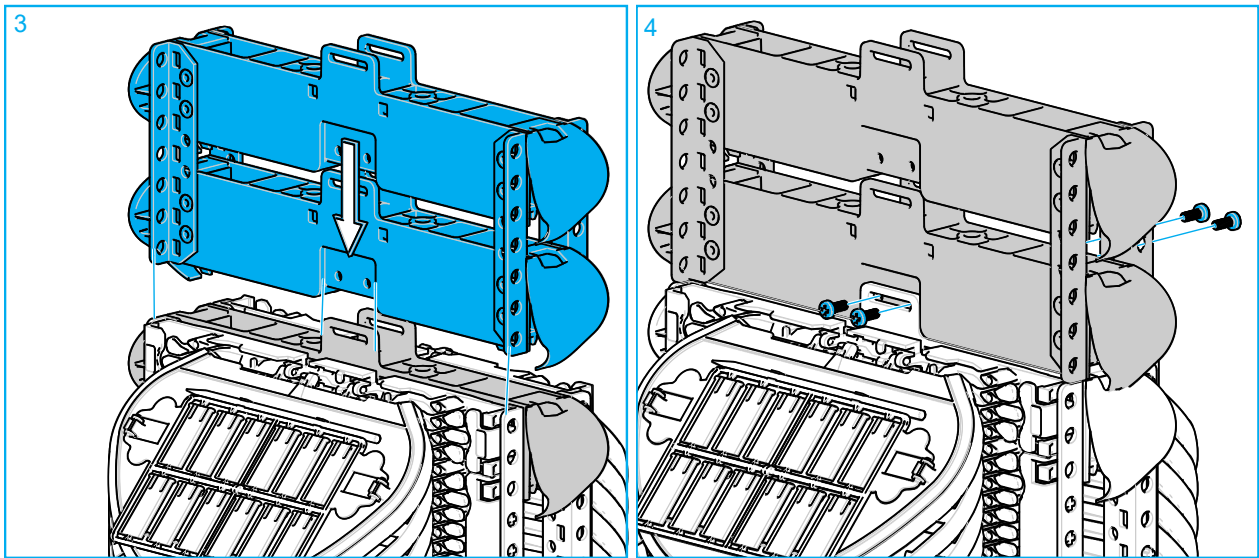
2 UMS units

This extension kit provides an additional 12 UMS units to each side.

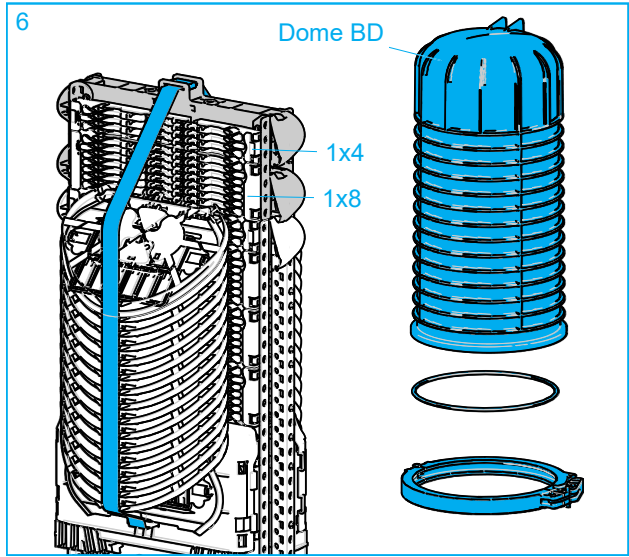
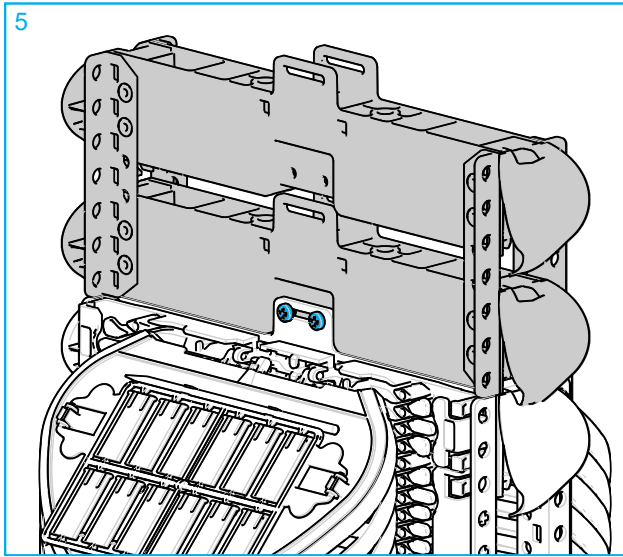
3 Install the BC2BD UMS extension.



- 1 Remove the current hook and loop fasteners.
- 2 Loosen the 4 screws of the UMS extension and put these aside.



- 3 Position the UMS extension on the top bracket as shown.
- 4 Insert the 4 screws again and secure.



- 5 UMS extension installed.
- 6 1 1x8 grooveplates and 1 1x4 grooveplate can now be added (12 UMS units) per side. These grooveplates are not a part of the kit. Install the new hook and loop fasteners, seal, dome and clamp.