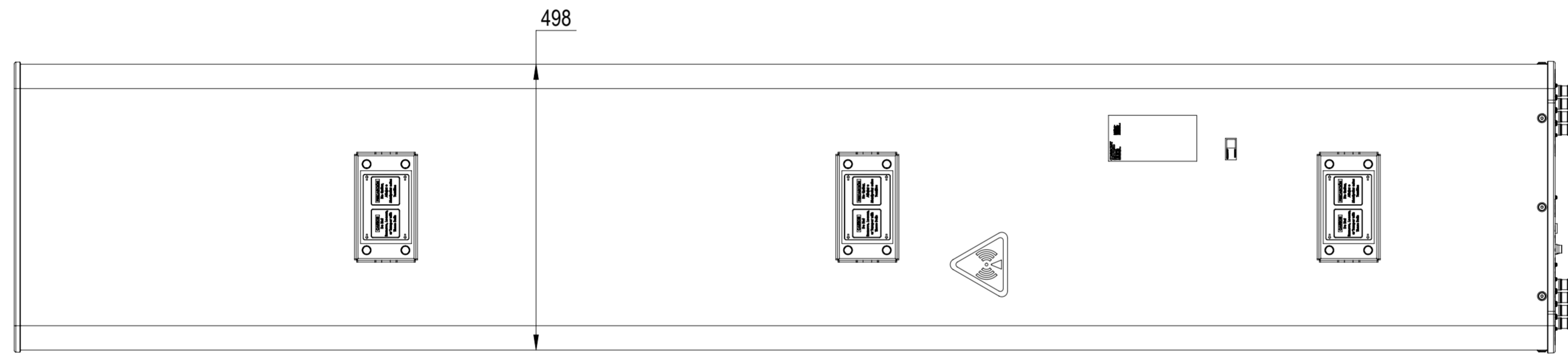
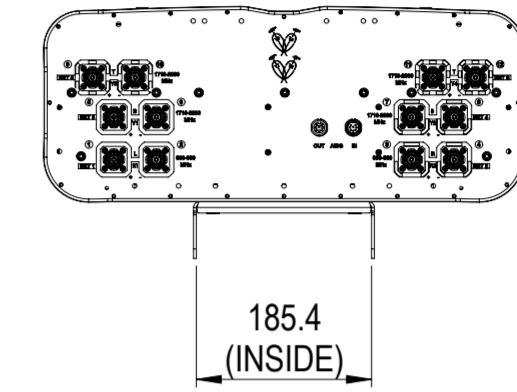
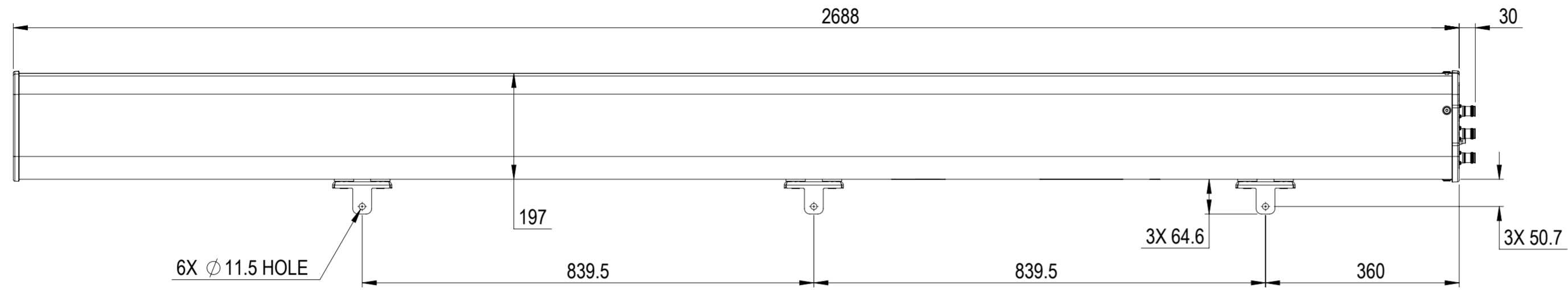


NOTES:

REVISIONS			
REV.	DESCRIPTION	DATE	APPROVED
A	ECR 8000040164: REL TO PRODUCTION PER EAO 608008.	15JUN20 MG	MB/AMIT.S



RR2VV-6533D-R6

<b>COMMSCOPE, INC. OF NORTH CAROLINA</b>																																									
TOLERANCES					SAP MATERIAL MASTER																																				
0 PLACE X ±		2 PLACE .XX ±																																							
1 PLACE .X ±		ANGLES ±																																							
FINISH					MATERIAL																																				
<b>PRODUCT DRAWING</b>																																									
<table border="1"> <thead> <tr> <th>REV</th> <th>NAME</th> <th>DATE</th> <th colspan="7">TITLE</th> </tr> </thead> <tbody> <tr> <td>CE</td> <td>MG1153</td> <td>15JUN20</td> <td colspan="7" rowspan="5" style="text-align: center; vertical-align: middle;"><b>RR2VV-6533D-R6-L</b></td> </tr> <tr> <td>RW</td> <td>MG1153</td> <td>07/13/2020</td> </tr> <tr> <td>RV</td> <td>MB1140</td> <td>07/14/2020</td> </tr> <tr> <td>AD</td> <td>AMSAWANT</td> <td>07/16/2020</td> </tr> <tr> <td>RE</td> <td>AC1095</td> <td>07/17/2020</td> </tr> </tbody> </table>										REV	NAME	DATE	TITLE							CE	MG1153	15JUN20	<b>RR2VV-6533D-R6-L</b>							RW	MG1153	07/13/2020	RV	MB1140	07/14/2020	AD	AMSAWANT	07/16/2020	RE	AC1095	07/17/2020
REV	NAME	DATE	TITLE																																						
CE	MG1153	15JUN20	<b>RR2VV-6533D-R6-L</b>																																						
RW	MG1153	07/13/2020																																							
RV	MB1140	07/14/2020																																							
AD	AMSAWANT	07/16/2020																																							
RE	AC1095	07/17/2020																																							
ECN 8000040164-O					SCALE 1:8		DOCUMENT NO.																																		
SIZE A2		WORK AREA 23		MODEL		DRAWING		SHEET																																	
				VERSION 00		STATUS RE		REVISION A																																	
				VERSION 00		STATUS RE		REVISION A																																	
				VERSION 00		STATUS RE		REVISION A																																	

DENSITY	g/mm <sup>3</sup>
MASS	grams
VOLUME	mm <sup>3</sup>
SURFACE AREA	mm <sup>2</sup>
HEIGHT	
LENGTH	
WIDTH	

© 2020 CommScope, Inc.