

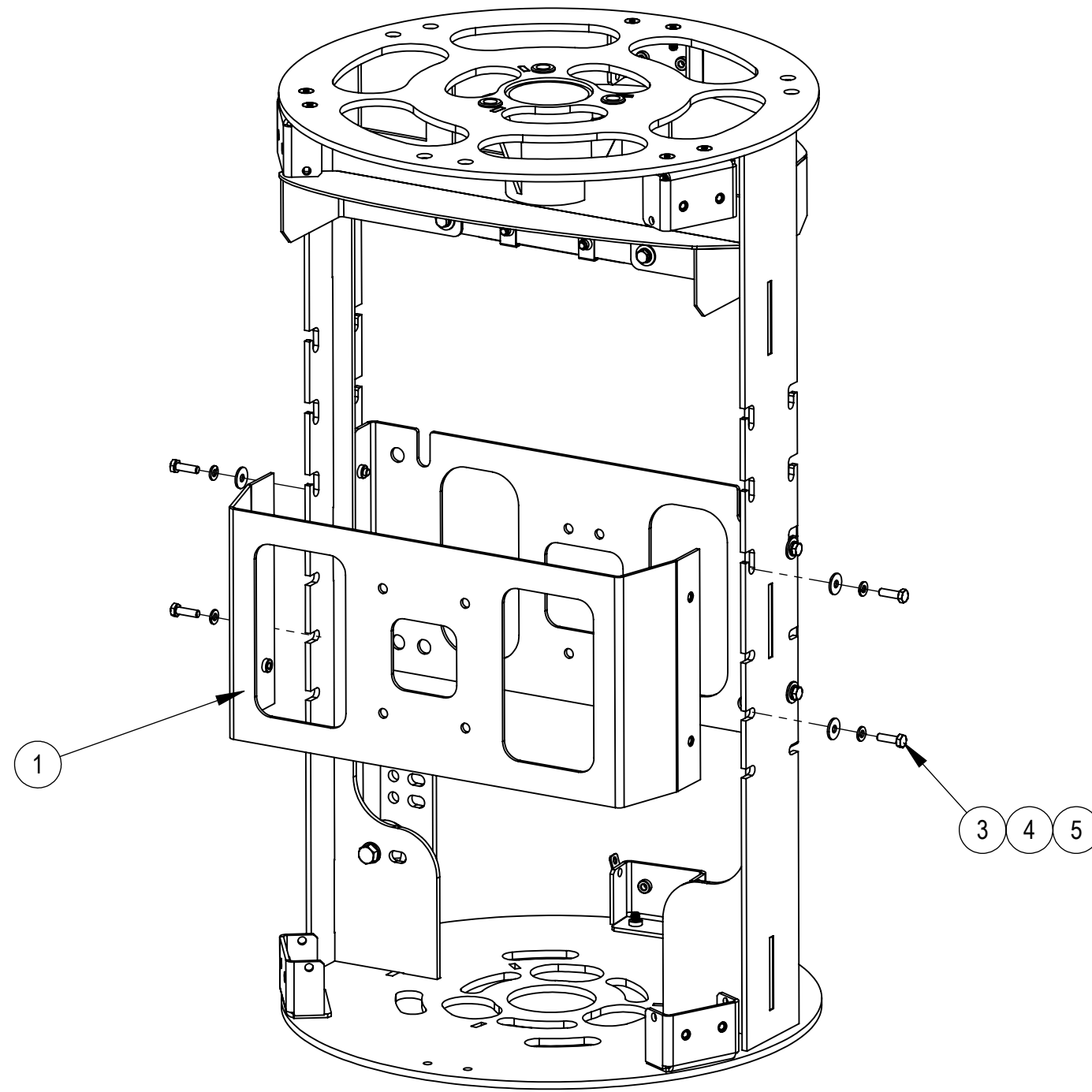
4

3

2

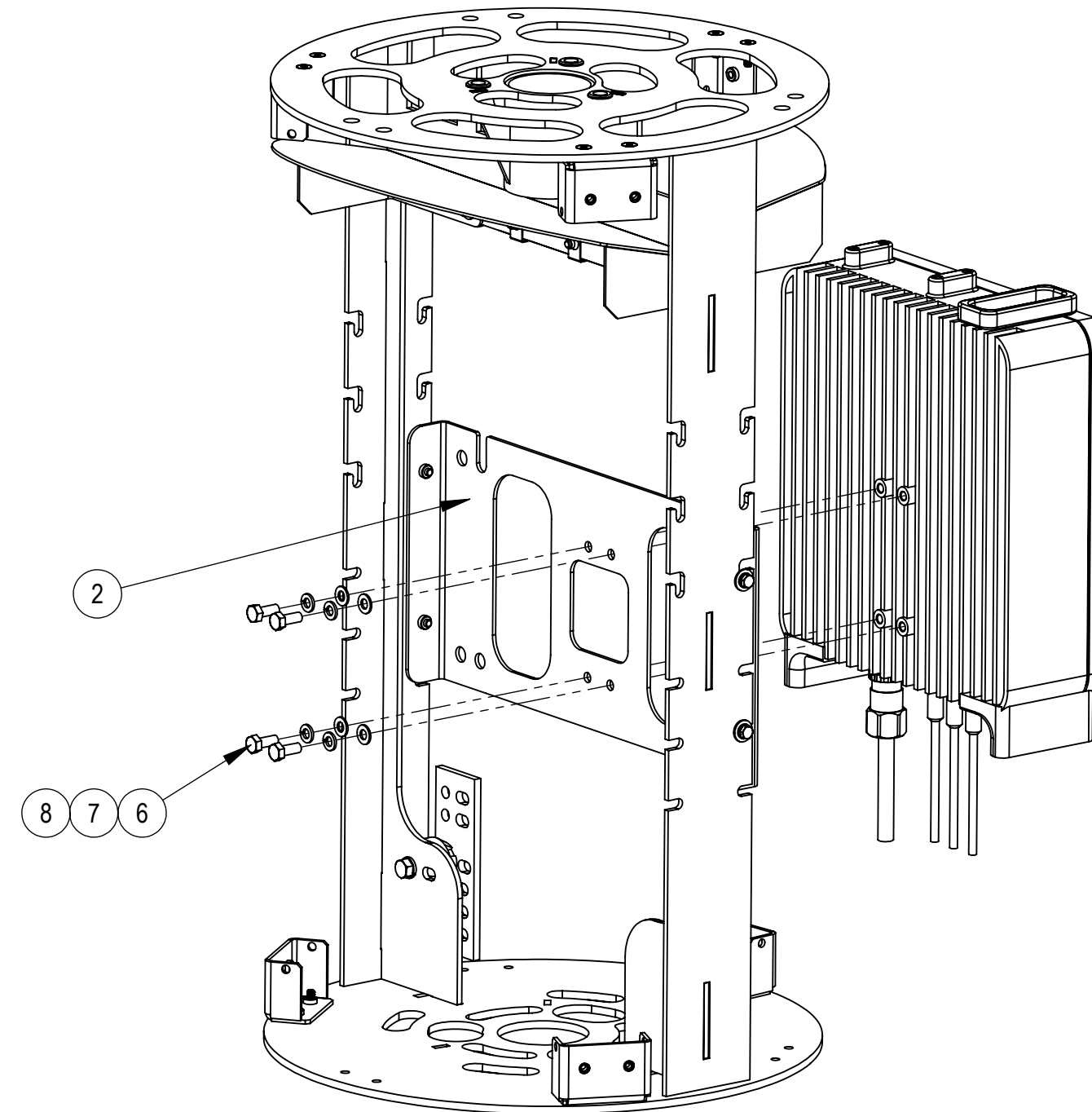
1

| REVISIONS |       |                 |        |           |
|-----------|-------|-----------------|--------|-----------|
| REV.      | ECN   | DESCRIPTION     | BY     | DATE      |
| A         | 14436 | INITIAL RELEASE | DM1121 | 8/24/2021 |



**STEP 1**

REMOVE PRE-INSTALLED 8863 RADIO MOUNT BRACKET (SQUARE HOLES)



**STEP 2**

INSTALL 6302 RECTIFIER USING 4X M8 SCREWS, LOCK WASHERS AND FLAT WASHERS

| ITEM NO. | PART NUMBER  | DESCRIPTION                            | QTY |
|----------|--------------|--|-----|
| 1        | MTM1141-2000 | RADIO 8863 MOUNT BRACKET ASSY          | 1   |
| 2        | MTM1141-3000 | POWER 6302 MOUNT BRACKET ASSY          | 1   |
| 3        | MTC9414      | BOLT, HEX HEAD M6 X20MM STAINLESSSTEEL | 4   |
| 4        | 100522-90    | WSHR,LK,SPLT, M6,SST, PASS             | 4   |
| 5        | 100525-71    | WSHR,FLAT,M6,6.4X18X1.6,SST,PASS       | 4   |
| 6        | 100534-303   | SCR,HCS,HEX,M8X20,SST,PASS             | 8   |
| 7        | 100522-31    | WSHR,LK,SPLT, M8,SST, PASS             | 8   |
| 8        | 100521-31    | WSHR,FLAT,M8,8.4X16X1.6,SST,PASS       | 8   |

**COMMSCOPE, INC. OF NORTH CAROLINA**

| TOLERANCES  |                    | SAP MATERIAL MASTER  |                                    |      |       |           |           |                             |           |            |           |            |           |            |                     |   |
|---|--------------------|--|------------------------------------|------|-------|-----------|-----------|-----------------------------|-----------|------------|-----------|------------|-----------|------------|---------------------|---|
| 1 PLACE .X ±  | 3 PLACE .XXX ±     |  |                                    |      |       |           |           |                             |           |            |           |            |           |            |                     |   |
| 2 PLACE .XX ±   | ANGLES ±           |  |                                    |      |       |           |           |                             |           |            |           |            |           |            |                     |   |
| FINISH<br>N/A   |                    | MATERIAL<br>N/A  |                                    |      |       |           |           |                             |           |            |           |            |           |            |                     |   |
| UNLESS OTHERWISE SPECIFIED<br>DIMENSIONS ARE IN INCHES<br>INTERPRET PER ANSI Y 14.5M-1994 |                    | <table border="1"> <tr><th>NAME</th><th>DATE</th><th>TITLE</th></tr> <tr><td>CE DM1121</td><td>8/24/2021</td><td rowspan="4" style="text-align: center; vertical-align: middle;"><b>760233122E60 INSTALL</b></td></tr> <tr><td>RW DM1121</td><td>08/26/2021</td></tr> <tr><td>AD LX1002</td><td>08/18/2021</td></tr> <tr><td>RE LX1002</td><td>08/18/2021</td></tr> </table> | NAME                               | DATE | TITLE | CE DM1121 | 8/24/2021 | <b>760233122E60 INSTALL</b> | RW DM1121 | 08/26/2021 | AD LX1002 | 08/18/2021 | RE LX1002 | 08/18/2021 | SCALE<br><b>1:8</b> | DOCUMENT NO.<br><b>760233122E60 INSTALL</b> |
| NAME  | DATE               | TITLE  |                                    |      |       |           |           |                             |           |            |           |            |           |            |                     |   |
| CE DM1121   | 8/24/2021          | <b>760233122E60 INSTALL</b>  |                                    |      |       |           |           |                             |           |            |           |            |           |            |                     |   |
| RW DM1121   | 08/26/2021         |  |                                    |      |       |           |           |                             |           |            |           |            |           |            |                     |   |
| AD LX1002   | 08/18/2021         |  |                                    |      |       |           |           |                             |           |            |           |            |           |            |                     |   |
| RE LX1002   | 08/18/2021         |  |                                    |      |       |           |           |                             |           |            |           |            |           |            |                     |   |
| SIZE<br><b>C</b>  | Auth Group<br>INSL | MODEL<br>VERSION STATUS REVISION   | DRAWING<br>VERSION STATUS REVISION |      |       |           |           |                             |           |            |           |            |           |            |                     |   |
|   |                    | 00 RW A  | 00 IW A                            |      |       |           |           |                             |           |            |           |            |           |            |                     |   |

|              |                     |
|--------------|---------------------|
| DENSITY      | lbs/in <sup>3</sup> |
| MASS         | lbs                 |
| VOLUME       | in <sup>3</sup>     |
| SURFACE AREA | in <sup>2</sup>     |
| HEIGHT       |                     |
| LENGTH       |                     |
| WIDTH        |                     |

4

3

2

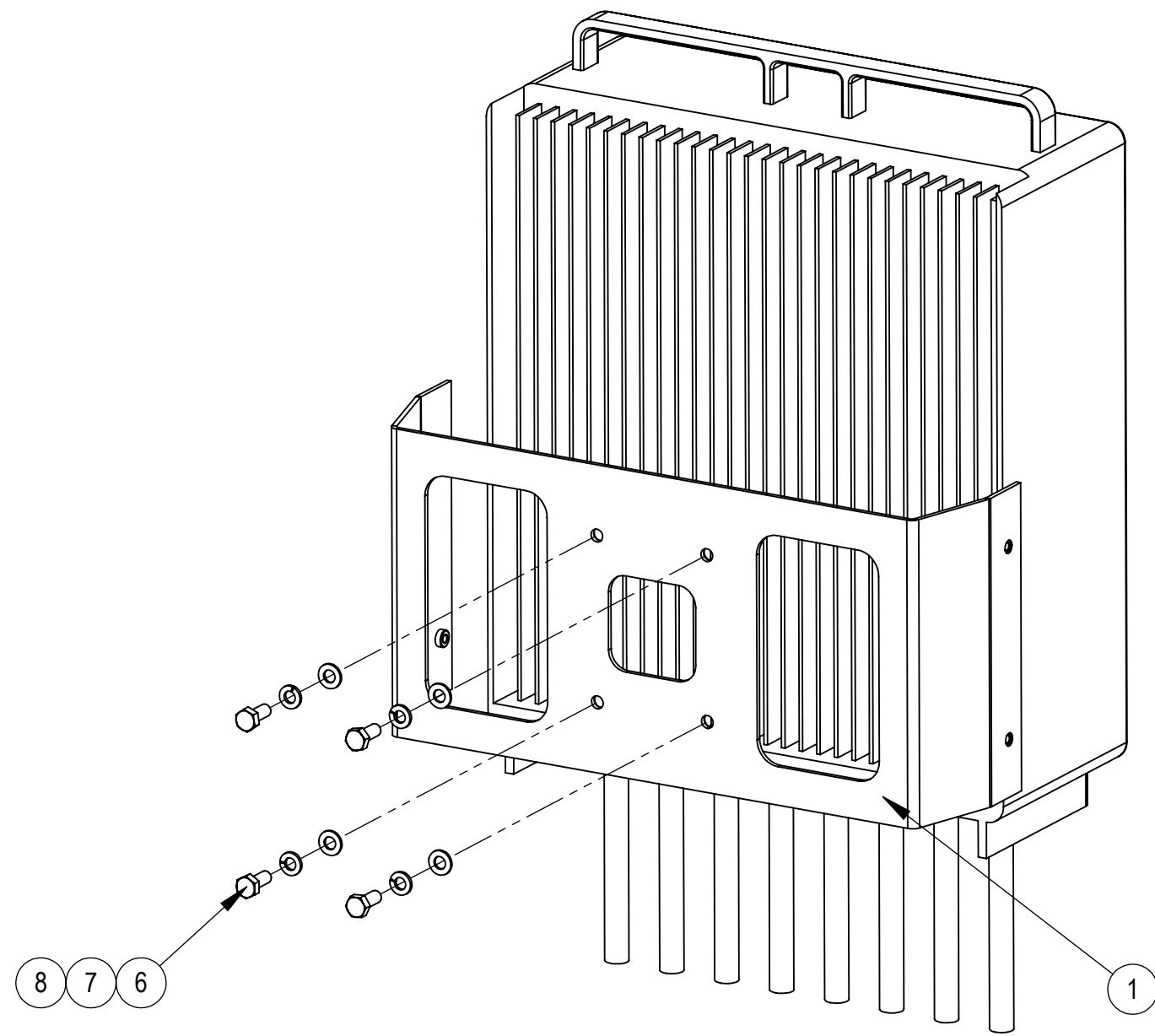
1

4

3

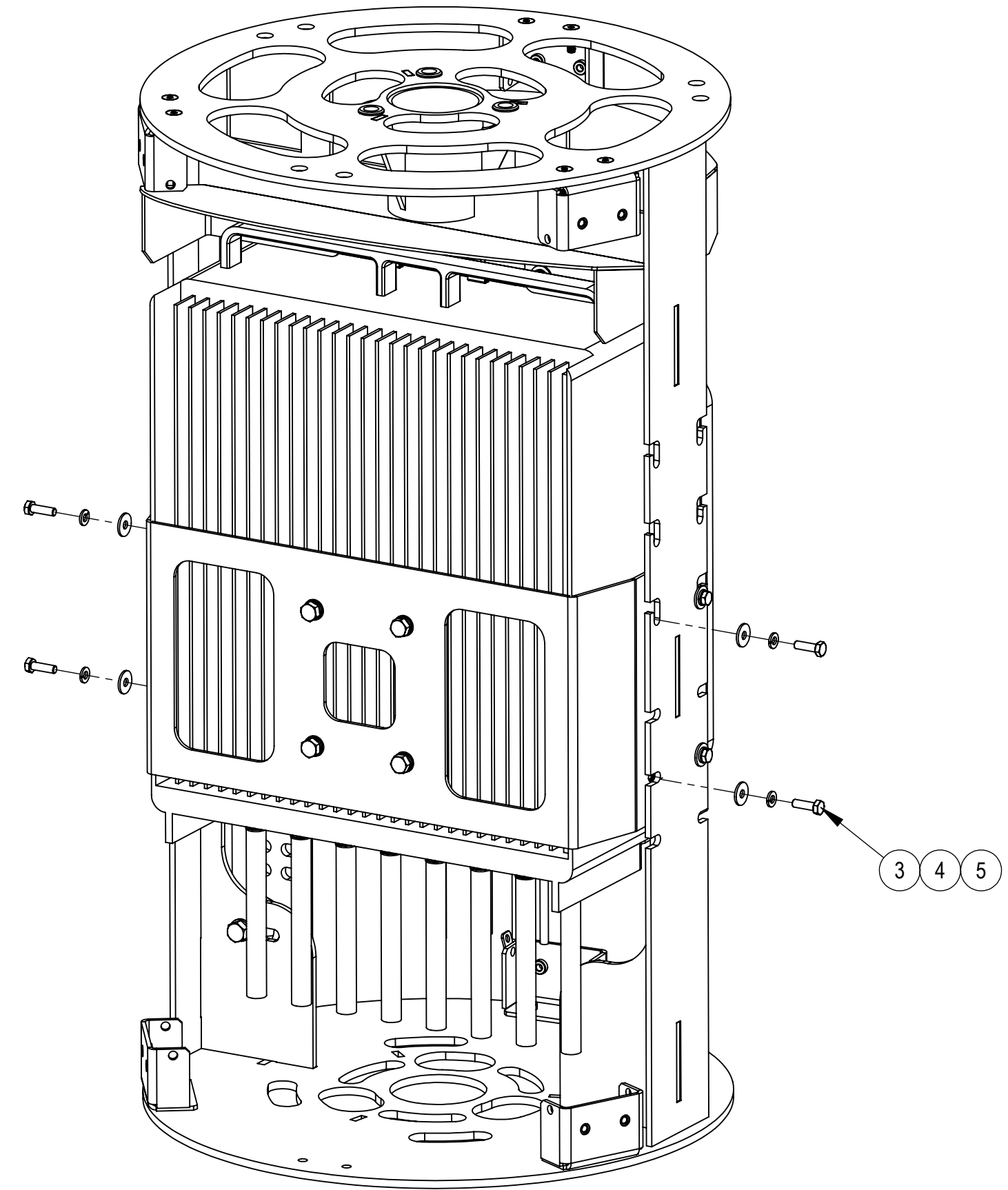
2

1



**STEP 3**

INSTALL RADIO 8863 TO THE BRACKET  
USING 4X M8 SCREWS, LOCK WASHERS  
AND FLAT WASHERS



**STEP 4**

INSTALL RADIO 8863 AND BRACKET TO THE POLETOP  
USING 4X M6 SCREWS, LOCK WASHERS  
AND FLAT WASHERS

COMMSCOPE, INC. OF NORTH CAROLINA

TITLE  
760233122E60 INSTALL

|                  |                     |   |
|------------------|---------------------|---|
| SIZE<br><b>C</b> | SCALE<br><b>1:1</b> | DOCUMENT NO.<br><b>760233122E60 INSTALL</b> |
|------------------|---------------------|---|

| DRAWING |        |          | SHEET<br>2 OF 2 |
|---------|--------|----------|-----------------|
| VERSION | STATUS | REVISION |                 |
| 00      | IW     | A        |                 |

© 2021 CommScope, Inc.

4

3

2

1