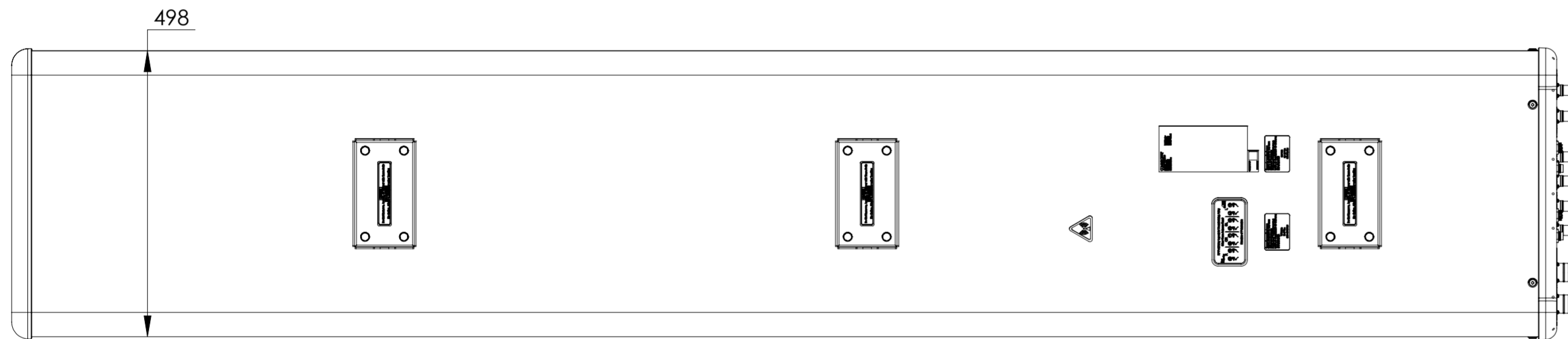
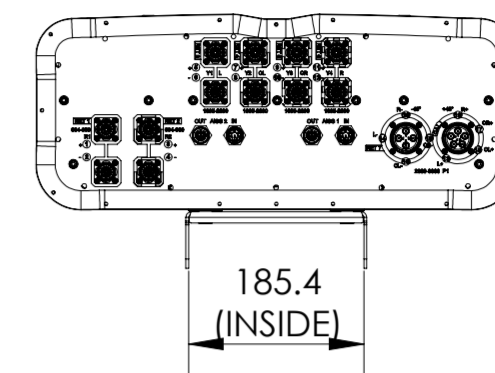
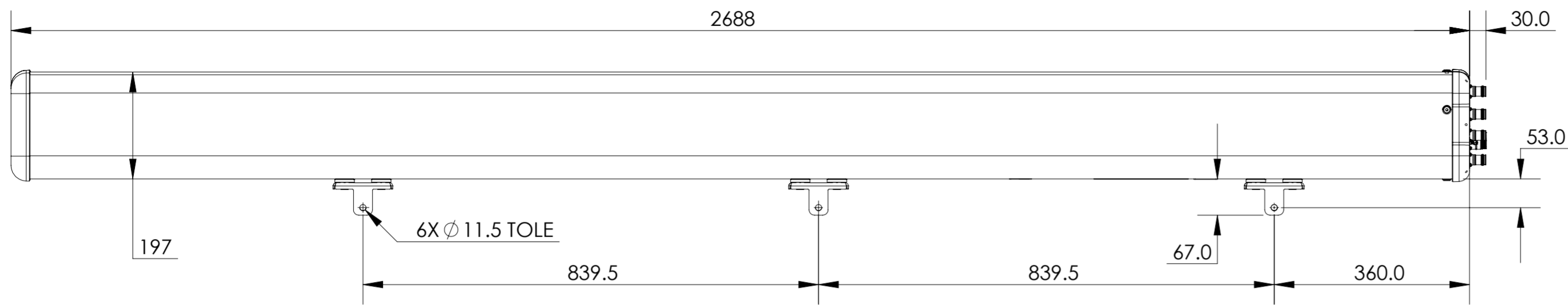


REVISIONS			
REV.	DESCRIPTION	DATE	APPROVED
A	ECR 16364PC: REL TO PRODUCTION PER EAO 610560.	07DEC21 CN	ZYL/YWQ



RRV4Q4-65D-R7V4

**COMMScope, INC. OF NORTH CAROLINA**

TOLERANCES		SAP MATERIAL MASTER	
0 PLACE	X ±	2 PLACE	.XX ±
1 PLACE	.X ±	ANGLES	±
FINISH		MATERIAL	
UNLESS OTHERWISE SPECIFIED DIMENSIONS ARE IN MILLIMETERS INTERPRET PER ISO STANDARDS HANDBOOK TECHNICAL DRAWINGS VOLUMES 1 & 2, THIRD EDITION (2002)	NAME	DATE	TITLE
	CE	NC1020	12/07/2021
	RW	PL1051	08/05/2021
	RV		
	AD	ELI2	08/08/2021
RE	QS1002	08/09/2021	
ECN 13225PC			SCALE
			1:8
			DOCUMENT NO.
			RRV4Q4-65D-R7V4-L
SIZE	WORK AREA	BSA	MODEL
A2			VERSION
			STATUS
			REVISION
			VERSION
			STATUS
			REVISION
			DRAWING
			VERSION
			STATUS
			REVISION
			SHEET
			1 OF 1

DENSITY	g/mm <sup>3</sup>
MASS	grams
VOLUME	mm <sup>3</sup>
SURFACE AREA	mm <sup>2</sup>
HEIGHT	
LENGTH	
WIDTH	

© 2021 CommScope, Inc.