

1 2 3 4 5 6 7 8 9 10 11 12

A

B

C

D

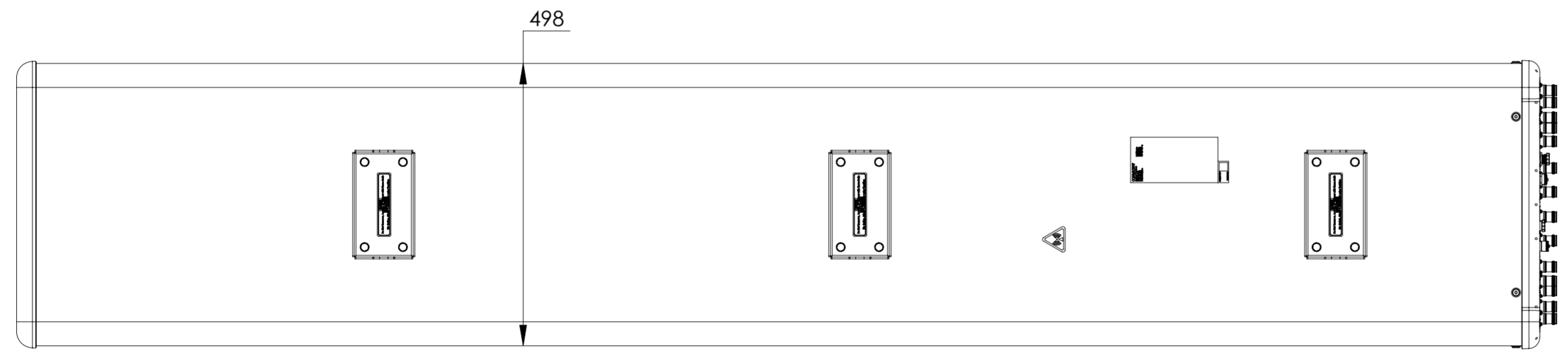
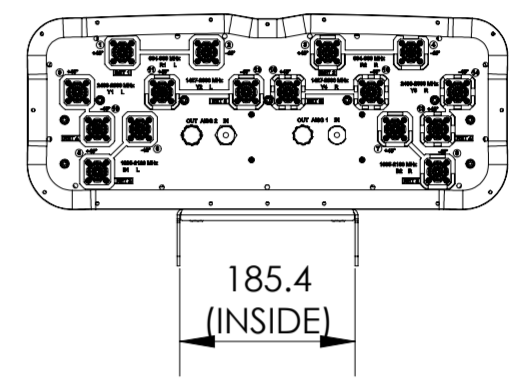
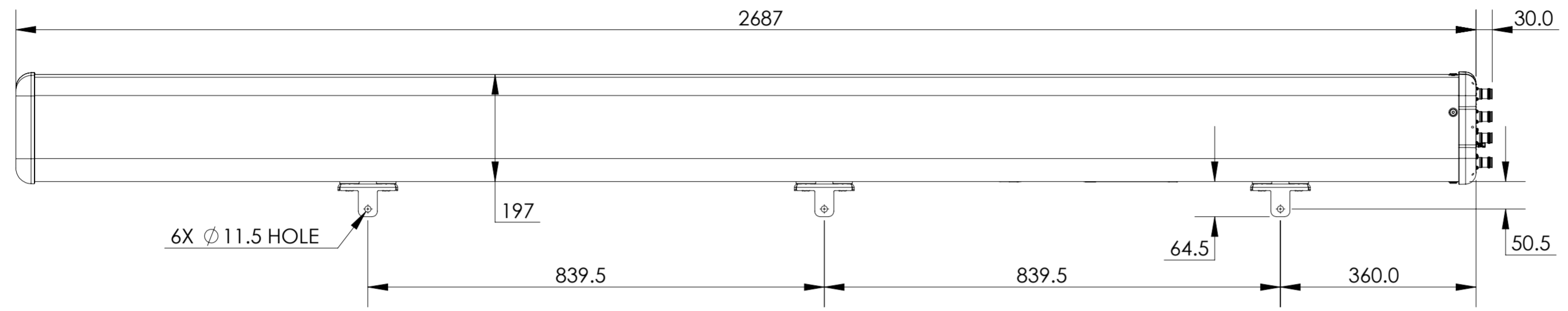
E

F

G

H

REVISIONS			
REV.	DESCRIPTION	DATE	APPROVED
A	ECR 8000038494: REL TO PRODUCTION PER EAO 607704.	03DEC19 CN	ZYL/YWQ
B			



RRZZHHTT65DR6MR

COMMScope, INC. OF NORTH CAROLINA

TOLERANCES		SAP MATERIAL MASTER	
0 PLACE X ±	2 PLACE .XX ±		
1 PLACE .X ±	ANGLES ±		
FINISH		MATERIAL	
<small>UNLESS OTHERWISE SPECIFIED DIMENSIONS ARE IN MILLIMETERS INTERPRET PER ISO STANDARDS HANDBOOK TECHNICAL DRAWINGS, VOLUMES 1 & 2, THIRD EDITION (2002)</small>		NAME	DATE
		CE NC1020	11/02/2019
		RW NC1020	12/09/2019
		RV ZL8001	12/10/2019
		AD WY8000	12/10/2019
RE ZHHCHEN	12/10/2019	TITLE	
ECN 8000038494-O		PRODUCT DRAWING	
		SCALE	DOCUMENT NO.
		1:8	RRZZHHTT65DR6MR-L
		SIZE	WORK AREA BSA
		A2	
		MODEL	
VERSION	STATUS	REVISION	DRAWING
00	RE	A	VERSION STATUS REVISION
		00	RE A
		SHEET	
		1 OF 1	

DENSITY	g/mm ³
MASS	grams
VOLUME	mm ³
SURFACE AREA	mm ²
HEIGHT	
LENGTH	
WIDTH	

© 2019 CommScope, Inc.

1 2 3 4 5 6 7 8 9 10 11 12