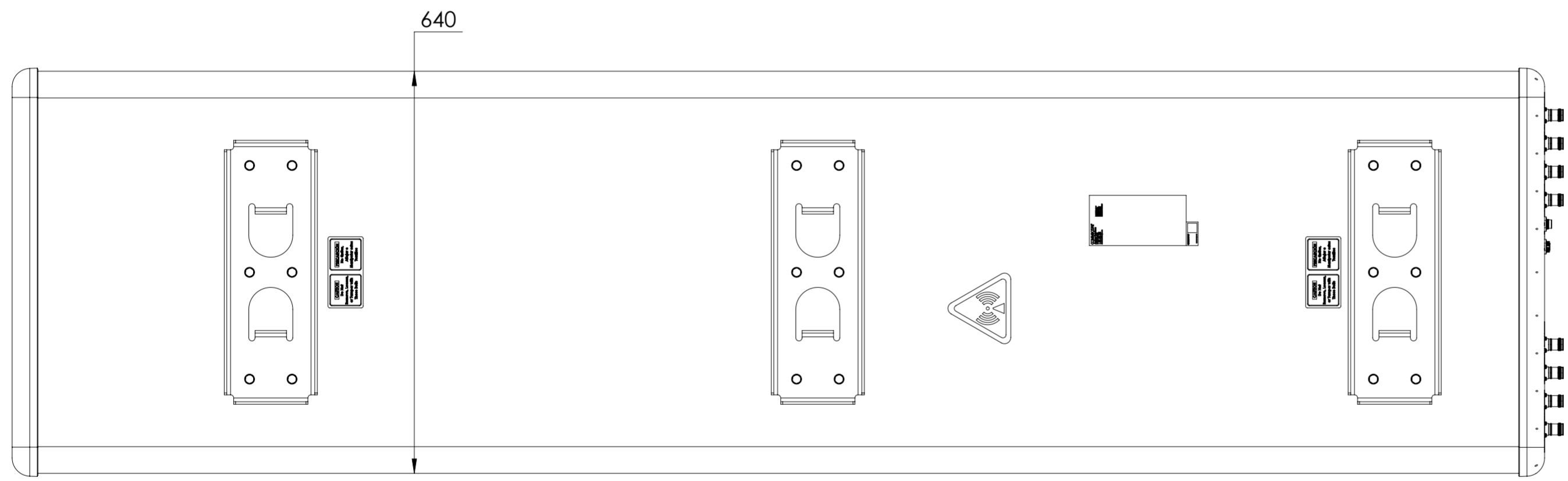
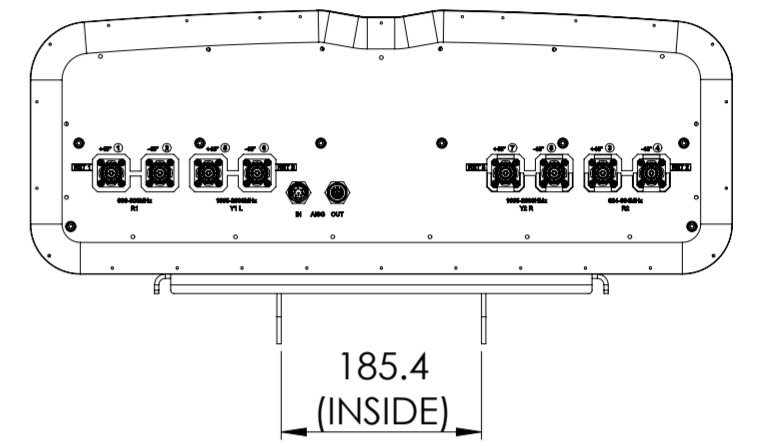
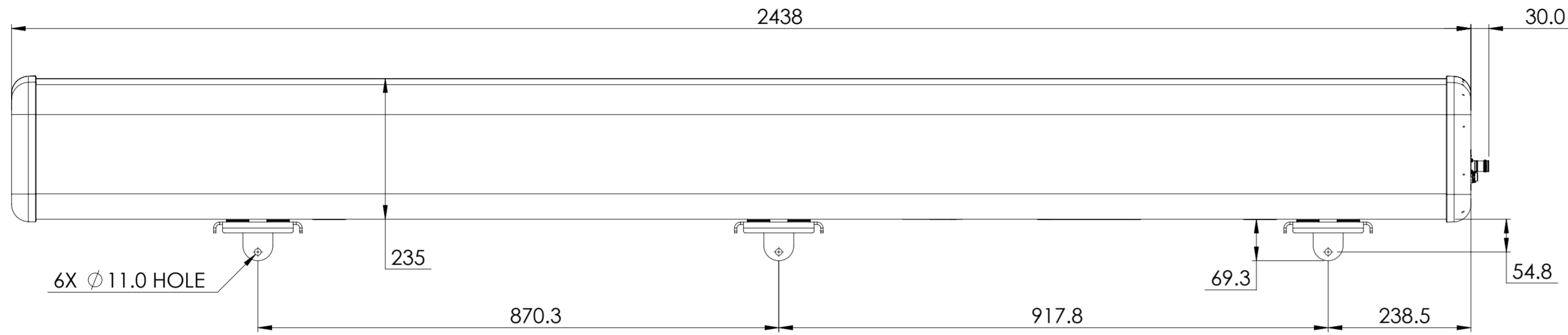


REVISIONS			
REV.	DESCRIPTION	DATE	APPROVED
A	ECR 13823PC: RELEASE TO PRODUCTION PER EAO 609964.	26AUG21 CZH	YJB/XL



JAVV-33C-R3

COMMSCOPE, INC. OF NORTH CAROLINA												
TOLERANCES					SAP MATERIAL MASTER							
0 PLACE X ±		2 PLACE .XX ±										
1 PLACE .X ±		ANGLES ±										
FINISH					MATERIAL							
UNLESS OTHERWISE SPECIFIED DIMENSIONS ARE IN MILLIMETERS INTERPRET PER ISO STANDARDS HANDBOOK TECHNICAL DRAWINGS VOLUMES 1 & 2, THIRD EDITION (2002)	NAME	DATE	TITLE									
	CE ZHHCHEN	08/26/2021	PRODUCT DRAWING									
	RW ZHHCHEN	10/06/2021										
	AD JY1049	10/06/2021	SCALE	DOCUMENT NO.								
	RE ZHHCHEN	10/06/2021	1:7	JAVV-33C-R3-L								
ECN 13823PC		SIZE		Auth Group	BSA	MODEL		DRAWING				
		A2				VERSION	STATUS	REVISION	VERSION	STATUS	REVISION	SHEET
						00	RE	A	00	RE	A	1 OF 1

DENSITY	g/mm ³
MASS	grams
VOLUME	mm ³
SURFACE AREA	mm ²
HEIGHT	
LENGTH	
WIDTH	