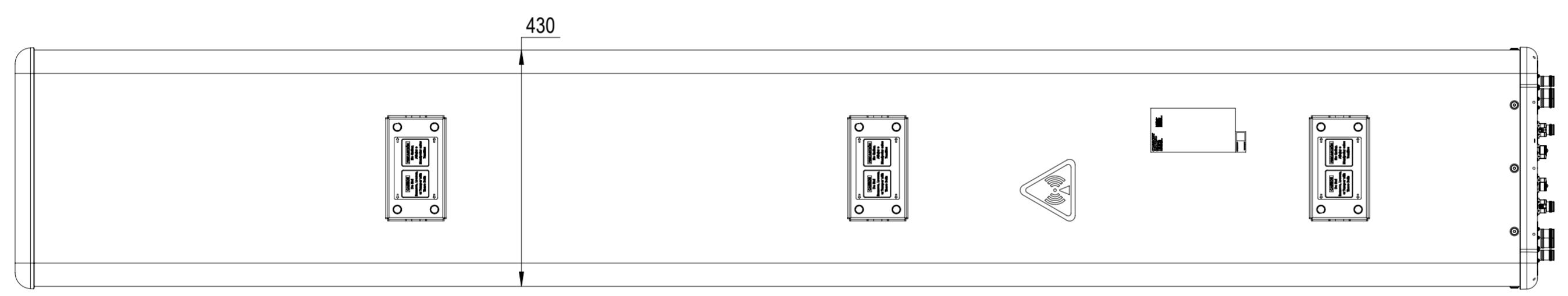
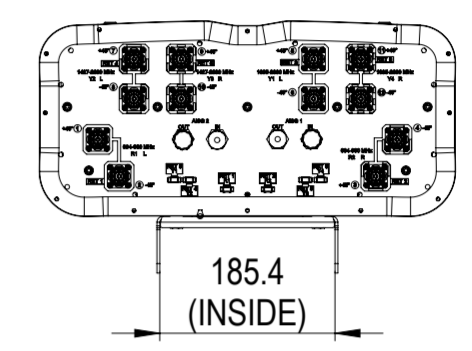
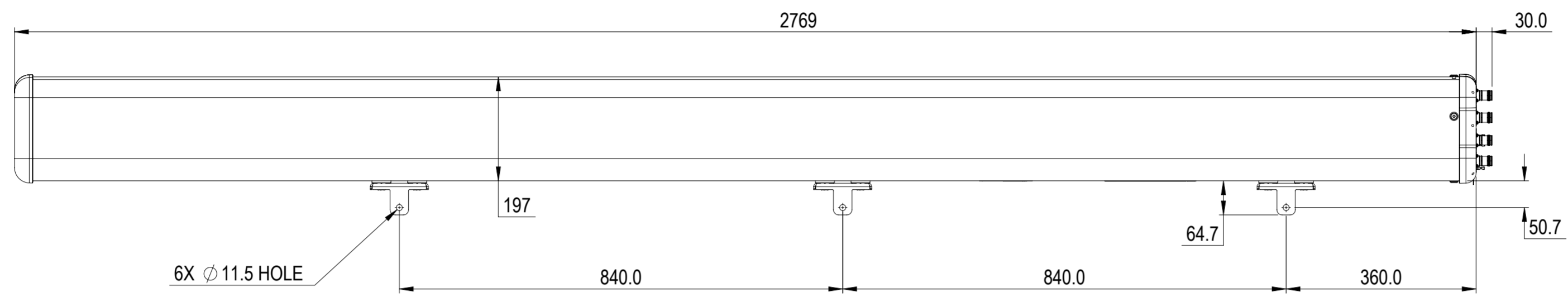


REVISIONS			
REV.	DESCRIPTION	DATE	APPROVED
A	ECR 13788PC: RELEASE TO PRODUCTION PER EAO 610007.	20AUG21 CN	ZYL/YZLI
B	ECR 40171675CMO: UPDATE DRAWING.	19MAY23 ZY	WDM/YZLI



RRZZVV-65D-R6N43V2

**COMMSCOPE, INC. OF NORTH CAROLINA**

TOLERANCES		SAP MATERIAL MASTER							
0 PLACE X ±	2 PLACE .XX ±								
1 PLACE .X ±	ANGLES ±								
FINISH		MATERIAL							
<small>UNLESS OTHERWISE SPECIFIED DIMENSIONS ARE IN MILLIMETERS INTERPRET PER ISO STANDARDS HANDBOOK TECHNICAL DRAWINGS VOLUMES 1 &amp; 2, THIRD EDITION (2002)</small>	NAME	DATE	TITLE						
	CE NC1020	08/20/2021	<b>PRODUCT DRAWING</b>						
	RW YZHAI1	05/19/2023							
	RV								
	AD XIAOWANG	05/22/2023							
RE QW1003	05/22/2023								
ECN 40171675CMO			SCALE: <b>1:8</b>						
			DOCUMENT NO. <b>RRZZVV-65D-R6N43V2-L</b>						
SIZE	WORK AREA	BSA	MODEL						
<b>A2</b>			VERSION	STATUS	REVISION	VERSION	STATUS	REVISION	SHEET
			01	RE	B	01	RE	B	1 OF 1