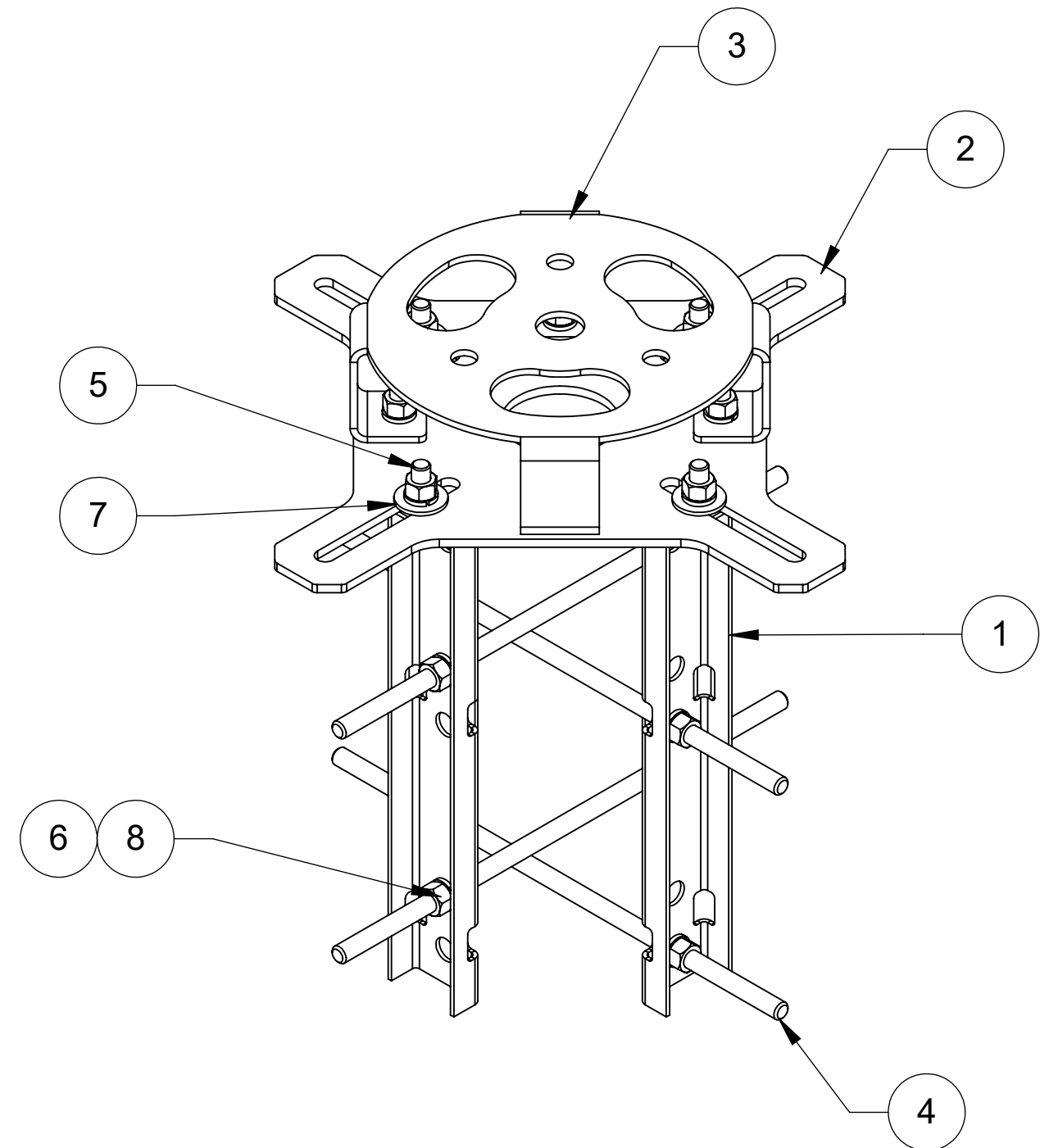
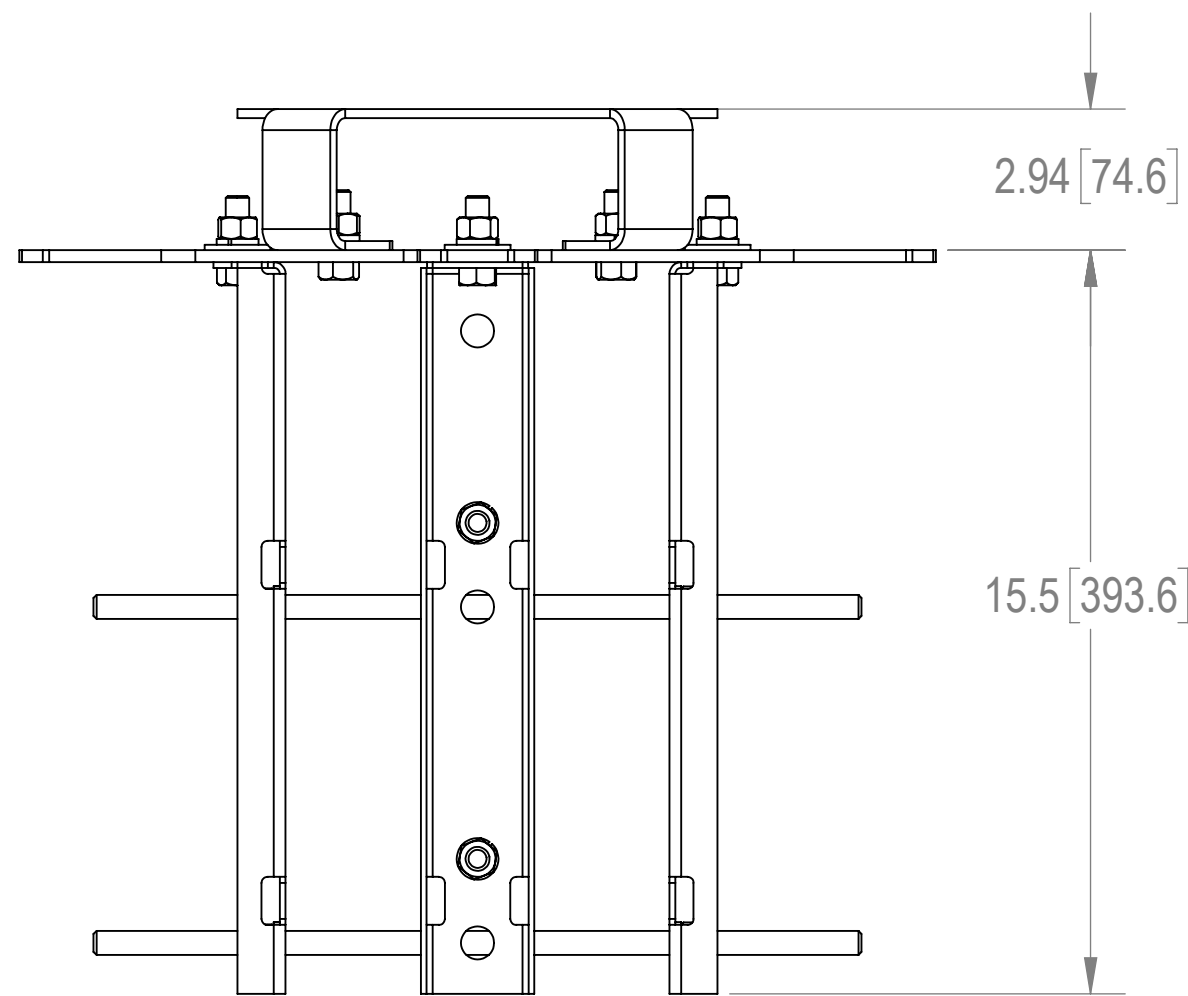
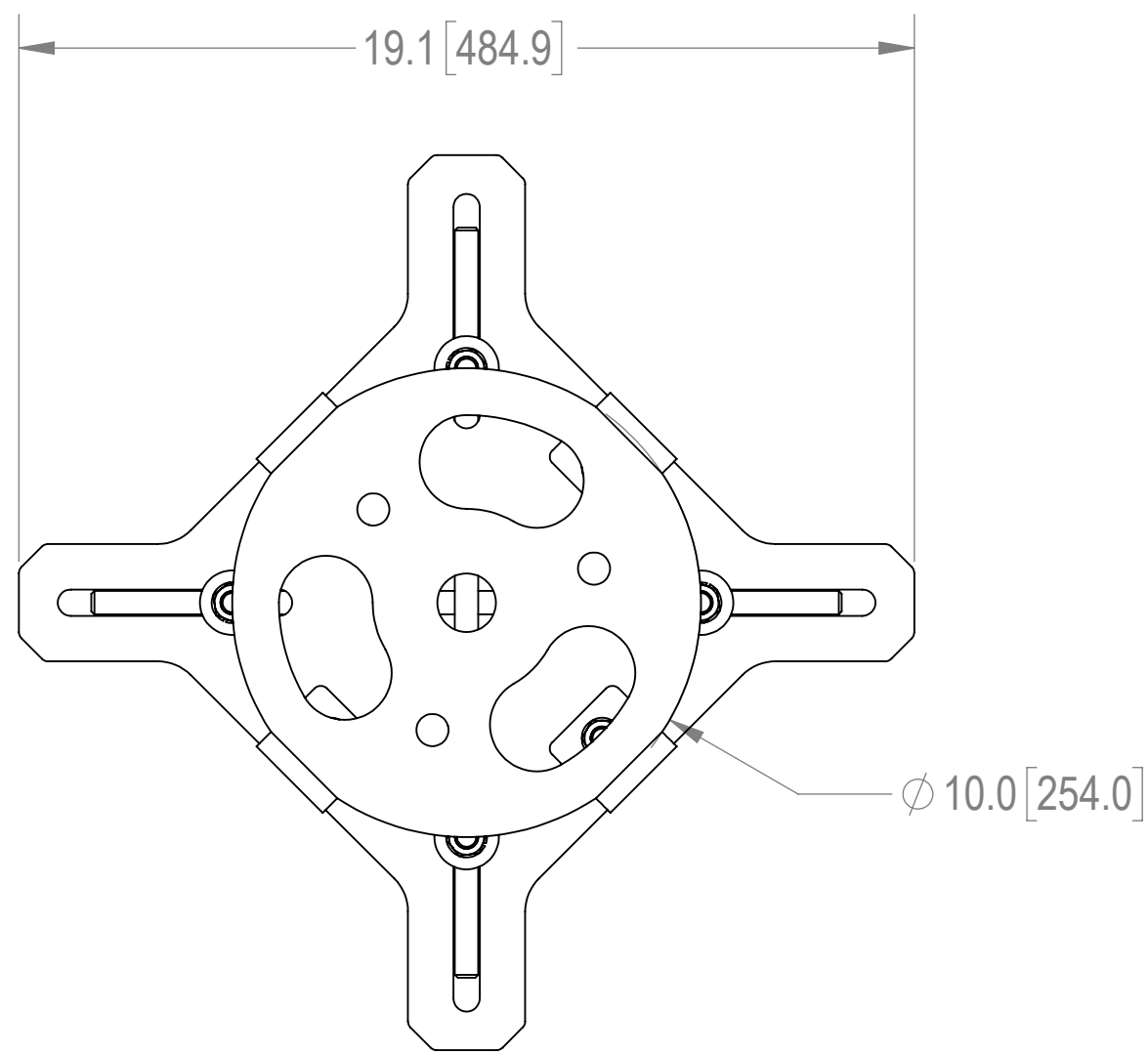


NOTES: 1.0 ALL METRIC DIMENSIONS ARE IN BRACKETS.
 2.0 FITS WOOD POLES 8"-14" OD.

REVISIONS				
REV.	ECN	DESCRIPTION	BY	DATE
A	8000043893	INITIAL RELEASE	MJP	11/16/2020



ITEM	PART NO.	DESCRIPTION	QTY.	WEIGHT	NOTE NO.
1	MTC398613	BRACKET, POLE MOUNT	4	1.93 LBS	
2	MTC398612	WOOD POLE TOP SLIDE PLATE	1	8.29 LBS	
3	MTC398611	ANTENNA MOUNT BRACKET	1	4.92 LBS	
4	MT37916	1/2" X 16" GALV THREADED ROD	4	0.88 LBS	
5	GB-04145	1/2" X 1-1/2" GALV BOLT KIT	8	0.13 LBS	
6	GWL-04	1/2" GALV LOCK WASHER	8	0.01 LBS	
7	GWF-04	1/2" GALV FLAT WASHER	4	0.04 LBS	
8	HNUT 0.5000-13-D-N	1/4" GALV HEX NUT	8	0.08 LBS	

COMMSCOPE, INC. OF NORTH CAROLINA										
TOLERANCES					SAP MATERIAL MASTER					
0 PLACE X ± .25		2 PLACE .XX ± .06			860660194-WP1					
1 PLACE X ± .12		ANGLES ± 2°								
FINISH					MATERIAL					
N/A					A36					
WOOD POLE MOUNT, 8" - 14"										
UNLESS OTHERWISE SPECIFIED DIMENSIONS ARE IN MILLIMETERS INTERPRET PER ISO STANDARDS HANDBOOK TECHNICAL DRAWINGS VOLUMES 1 & 2, THIRD EDITION (2002)		NAME	DATE	TITLE						
CE				WOOD POLE MOUNT, 8" - 14"						
RW										
RV										
AD										
RE		08/09/17		SCALE	DOCUMENT NO.					
ECN 008000043893				1:4	860660194-WP1					
HEIGHT	WORK AREA		MODEL			DRAWING				SHEET 1 OF 1
LENGTH	24		01			01				
WIDTH	C		01			A				

DENSITY	0.28	lbs/in ³
MASS	25.98	lbs
VOLUME	94.32	in ³
SURFACE AREA		in ²