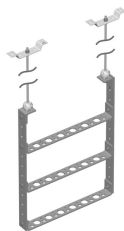


AT-K306-U



Arrestor Trapeze Kit for 7-16 DIN, type N, or bolt-grounded surge arrestors, 3-tier, 6-hole pattern

Product Classification

Product Type Arrestor trapeze kit

General Specifications

Mounting Ceiling | Walls

Dimensions

Height 76.2 mm | 3 in

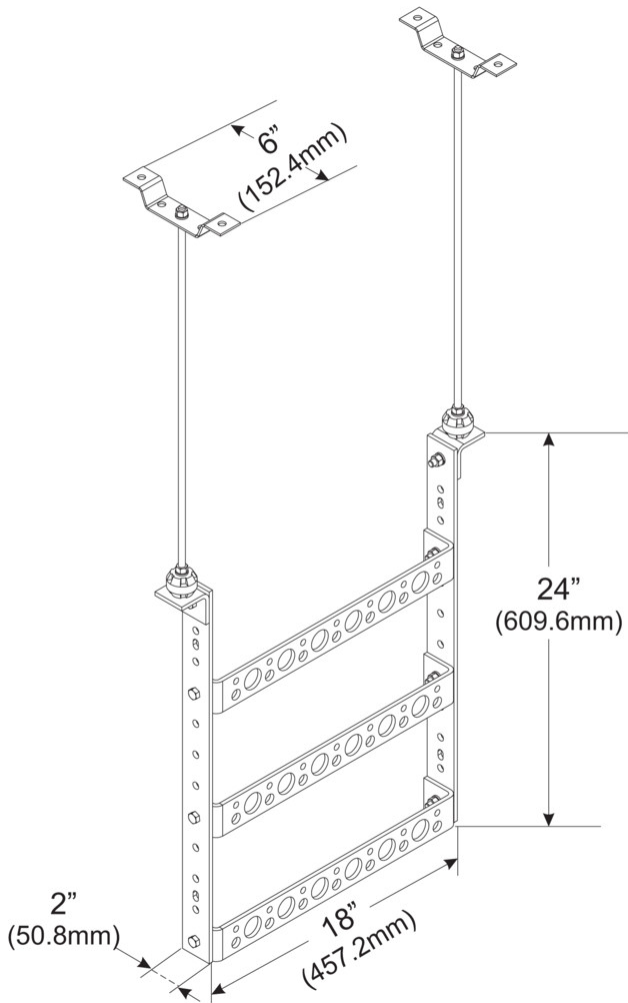
Width 457.2 mm | 18 in

Length 1,219.2 mm | 48 in

Material Thickness 7.62 mm | 0.3 in

AT-K306-U

Outline Drawing



Material Specifications

Material Type Copper

Packaging and Weights

Included Ceiling brackets | Threaded rod | Trapeze

Packaging quantity 1

Weight, net 9.7 kg | 21.385 lb

Regulatory Compliance/Certifications

Agency **Classification**

AT-K306-U

ISO 9001:2015

Designed, manufactured and/or distributed under this quality management system