

JF-CAPKIT



2.2-5 Female End Cap Assembly

Product Classification

Product Type	Surge arrester accessory
Product Brand	HELIAX®
Ordering Note	ANDREW® non-standard product

General Specifications

Interface	2.2-5 Female
------------------	--------------

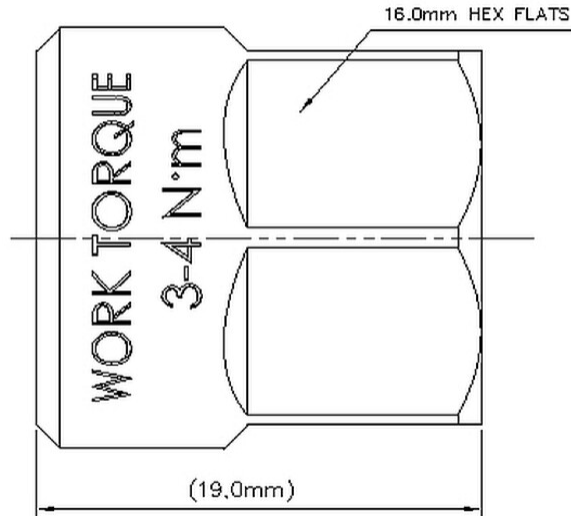
Dimensions

Height	18.1 mm 0.713 in
Width	18.1 mm 0.713 in
Length	19 mm 0.748 in

Outline Drawing

JF-CAPKIT

2.2-5 FEMALE END CAP ASSEMBLY



Material Specifications

Finish	Trimetal
Material Type	Brass

Mechanical Specifications

Coupling Nut Proof Torque	4 N-m 35.403 in lb
Interface Durability	50 cycles
Mechanical Shock Test Method	IEC 60068-2-27

Environmental Specifications

Operating Temperature	-55 °C to +85 °C (-67 °F to +185 °F)
Storage Temperature	-65 °C to +125 °C (-85 °F to +257 °F)
Corrosion Test Method	IEC 60068-2-11
Immersion Depth	1 m
Immersion Test Mating	Mated
Immersion Test Method	IEC 60529:2001, IP68

JF-CAPKIT

Moisture Resistance Test Method	IEC 60068-2-3
Thermal Shock Test Method	IEC 60068-2-14
Vibration Test Method	IEC 60068-2-6

Packaging and Weights

Packaging quantity	1
Weight, net	24.24 g 0.053 lb

Regulatory Compliance/Certifications

Agency	Classification
CHINA-ROHS	Below maximum concentration value
ISO 9001:2015	Designed, manufactured and/or distributed under this quality management system
REACH-SVHC	Compliant as per SVHC revision on www.commscope.com/ProductCompliance
ROHS	Compliant
UK-ROHS	Compliant



* Footnotes

Immersion Depth	Immersion at specified depth for 24 hours
------------------------	---