



FST Flexible Service Terminal, 4 Port, 4 Full-size hardened Adapters at drop side, 1 HMFOC Stub (Plug/female/no pin) at feeder side, black, 1 ft/0.305 m

- Flexible Service Terminals incorporate hardened connector technology that is designed to withstand the rugged outside plant environment
- Hardened connectors are factory-terminated and environmentally sealed for use in optical drop cable deployments
- Flexible structure plus very small branching unit, allowing installation in constrained spaces
- Output cables are staggered, optimizing distributed space consumption and minimizing cable kinking

## Product Classification

<b>Regional Availability</b>	Asia   EMEA   Latin America   North America
<b>Product Type</b>	Access terminal, without splitter/tap
<b>Product Series</b>	FST-T

## General Specifications

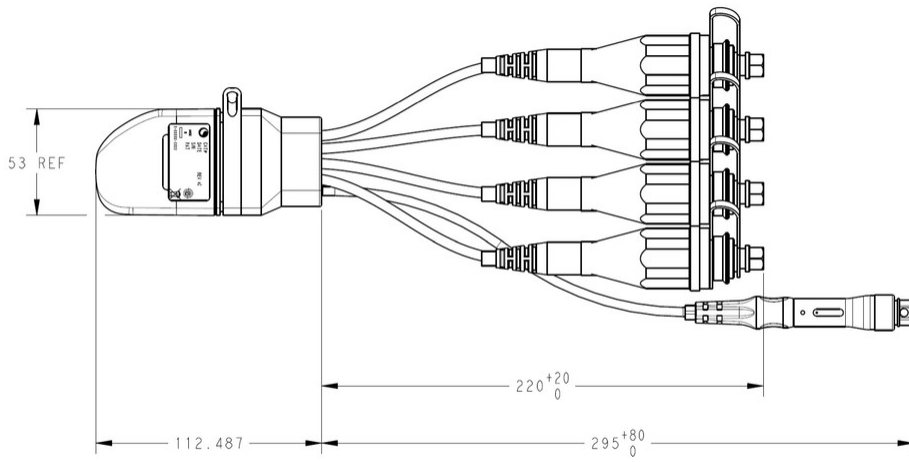
<b>Cable Type</b>	Dielectric - Flat - Loose Tube
<b>Cable, quantity</b>	5
<b>Distribution Type</b>	4 ports
<b>Enclosure Color</b>	Black
<b>Mounting</b>	Handhole   Pedestal
<b>Port Type</b>	Hardened full-size SC/APC
<b>Port, quantity</b>	4
<b>Splitter, quantity</b>	0
<b>Stub Type</b>	Hardened multi-fiber (HMFOC) jack, no pins

## Dimensions

<b>Height</b>	112.5 mm   4.429 in
<b>Width</b>	53 mm   2.087 in
<b>Depth</b>	31 mm   1.22 in
<b>Cable Length, stub</b>	1 ft (0.3 m)
<b>Cable Outer Diameter</b>	6.0 mm (0.23 in)

# 300100117113 | FST-T-04NHM2-A0001F

## Dimension Drawing



## Ordering Tree

FST – T – [ ] – [ ] – [ ] – [ ] – [ ] – F

### Terminal model

02	2 ports
04	4 ports
06	6 ports
08	8 ports
12	12 ports

### Housing type

N	Generic
---	---------

### Output connector type

H	Full-size
X	Mini-size DLX

### Standard cable lengths

0001	1 foot	0500	500 feet
0010	10 feet	0750	750 feet
0025	25 feet	1000	1,000 feet
0050	50 feet	1250	1,250 feet
0100	100 feet	1500	1,500 feet
0200	200 feet	1750	1,750 feet
0300	300 feet	2000	2,000 feet

### Feeder cable type

A	Buried dielectric – flat
B	Buried Dielectric Toneable

### Feeder connector type

M1	Multifiber connector HMFOC jack (Male/Pinned)
M2	Multifiber connector HMFOC plug (Female/No Pin)
00	Stub (no connector)

## Material Specifications

### Enclosure Material Type

Engineered plastic

## Optical Specifications

### Fiber Type

G.657.A1/A2

# 300100117113 | FST-T-04NHM2-A0001F

<b>Operating Wavelength Range</b>	1260 – 1635 nm
<b>Attenuation Cable Coefficient, maximum</b>	0.60 dB/km @ 1310 nm   0.60 dB/km @ 1550 nm
<b>Attenuation Terminal Connectors, maximum</b>	0.4 dB
<b>Insertion Loss, Stub Connector, maximum</b>	0.65 dB
<b>Return Loss, Connector, minimum</b>	65 dB

## Environmental Specifications

<b>Operating Temperature</b>	-40 °C to +70 °C (-40 °F to +158 °F)
<b>Relative Humidity</b>	5%–100%, condensing
<b>Environmental Space</b>	Above ground   Below ground   Buried
<b>Qualification Standards</b>	IEC 60529, IP68 + 3 m waterhead   Telcordia GR-3120-CORE   Telcordia GR-3152-CORE   Telcordia GR-326-CORE
<b>UV Resistance</b>	UV stabilized

## Packaging and Weights

<b>Packaging quantity</b>	1
<b>Packaging Type</b>	Box   Carton
<b>Weight, without cable</b>	0.23 kg   0.507 lb

## Regulatory Compliance/Certifications

<b>Agency</b>	<b>Classification</b>
CHINA-ROHS	Below maximum concentration value
ISO 9001:2015	Designed, manufactured and/or distributed under this quality management system
REACH-SVHC	Compliant as per SVHC revision on <a href="http://www.commscope.com/ProductCompliance">www.commscope.com/ProductCompliance</a>
ROHS	Compliant
UK-ROHS	Compliant

