

Mini-OTE 300-Series, Optical Terminal Enclosure, 8-port mini-size (DLX®) connector, with integrated 1x8 splitter, black, with grounding, external mounting. Splitter outputs connected to terminal housing ports, maximum 26 splices.

- Hardened connectors are factory-terminated and environmentally sealed for use in optical drop cable deployments
- Plug and play adapter ports ensure rapid cable installment in the outside plant access section of the network
- Optical Terminal Enclosures incorporate hardened connector technology that is designed to withstand the rugged outside plant environment
- Accommodates CommScope's field installable splitters and compact CWDMs

## Product Classification

<b>Regional Availability</b>	Asia   EMEA   Latin America   North America
<b>Product Type</b>	Access terminal, with splitter
<b>Product Brand</b>	DLX®
<b>Product Series</b>	Mini-OTE 300

## General Specifications

<b>Application</b>	For central core tube ribbon shielded/unshielded fiber cable   For flat drop with/without trace wire fiber cable   For loose buffer tube standard (72 F) and micro (144 F) fiber cable   For round armored up to 0.50 in/12.7 mm diameter fiber cable
<b>Cable Type</b>	No cable (stubless)
<b>Cable, quantity</b>	0
<b>Distribution Type</b>	1 x 8 splitter
<b>Enclosure Color</b>	Black
<b>Mounting</b>	Handhole   Pedestal   Pole   Strand
<b>Port Type</b>	Hardened mini-size DLX
<b>Port, quantity</b>	8
<b>Splitter, quantity</b>	1
<b>Stub Type</b>	No tail

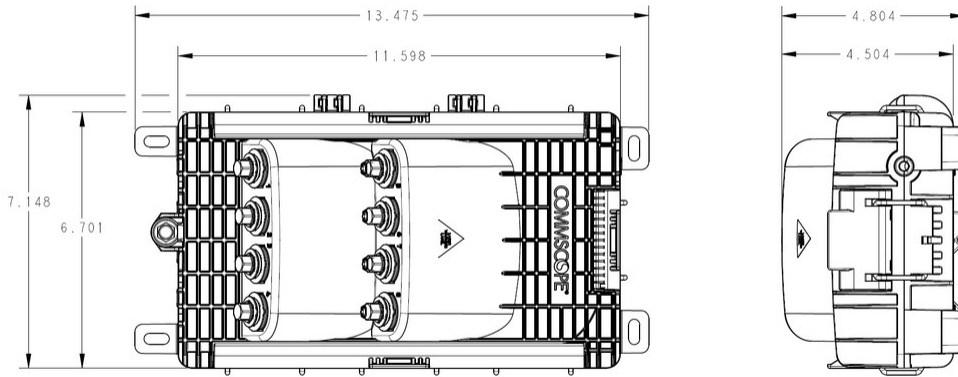
## Dimensions

<b>Height</b>	342.9 mm   13.5 in
---------------	--------------------

# 760249061 | OTE-08MX-18-EXTG03-U23

<b>Width</b>	182.88 mm   7.2 in
<b>Depth</b>	121.92 mm   4.8 in
<b>Cable Stub Length</b>	0 m   0 ft

## Dimension Drawing



## Ordering Tree

OTE -   M  -  -    G

Number of ports	
02	2 ports
04	4 ports
06	6 ports
08	8 ports
12	12 ports

Type of adapter	
H	Full-size
X	DLX miniaturized

Passive optical module options	
NN	No splitter
12	1:2 splitter (FBT)
14	1:4 splitter (planar)
18	1:8 splitter (planar)
2C	2 channel CCWDM
4C	4 channel CCWDM
8C	8 channel CCWDM

Number of trays	
03	3 trays (standard)— 2 fiber splicing trays, 1 fiber storage tray

Optional features	
EXT	External mounting
##	Starting CCWDM wavelength, 20nm spacing
##A	Starting CCWDM wavelength, skipped channels

*Example:* OTE-04MX-14-EXTG03  
4 Port Mini-OTE with 1x4 splitter, external mounting, grounding, 3 trays

## Material Specifications

**Enclosure Material Type** Engineered plastic

## Optical Specifications

**Operating Wavelength Range** 1260 – 1635 nm

**Attenuation Splitter, maximum** 10.4 dB

**Attenuation Terminal Connectors, maximum** 0.4 dB

**Directivity, minimum** 60 dB

**Insertion Loss, Splitter, typical** 10 dB

**Insertion Loss, Terminal Connector, typical** 0.16 dB

**Return Loss, Connector, minimum** 65 dB

**Return Loss, Single Ports, minimum** 55 dB

## Environmental Specifications

**Operating Temperature** -40 °C to +60 °C (-40 °F to +140 °F)

**Relative Humidity** 5%–100%, condensing

**Environmental Space** Above ground | Below ground | Buried

**Qualification Standard Note** See test report CTR-1016 for details and exceptions

**Qualification Standards** IEC 60529, IP68 + 2 m waterhead | Telcordia GR-771-CORE

**UV Resistance** UV stabilized

## Packaging and Weights

**Included** Enclosure (1) | Gel-sealed input ports for butt applications (4) | Gel-sealed input ports for inline applications (1) | Integrated slack storage tray (1) | Integrated splice tray (2) | Optical splitter (1) | Pedestal mounting hardware (1)

**Packaging quantity** 1

**Packaging Type** Box | Carton

**Weight, without cable** 3.06 kg | 6.746 lb

## Regulatory Compliance/Certifications

Agency	Classification
ISO 9001:2015	Designed, manufactured and/or distributed under this quality management system
REACH-SVHC	Compliant as per SVHC revision on <a href="http://www.commscope.com/ProductCompliance">www.commscope.com/ProductCompliance</a>



## Included Products

OTE-M-CABLERET-KIT - Mini-OTE 300-Series, Optical Terminal Pole Cable Retention Kit