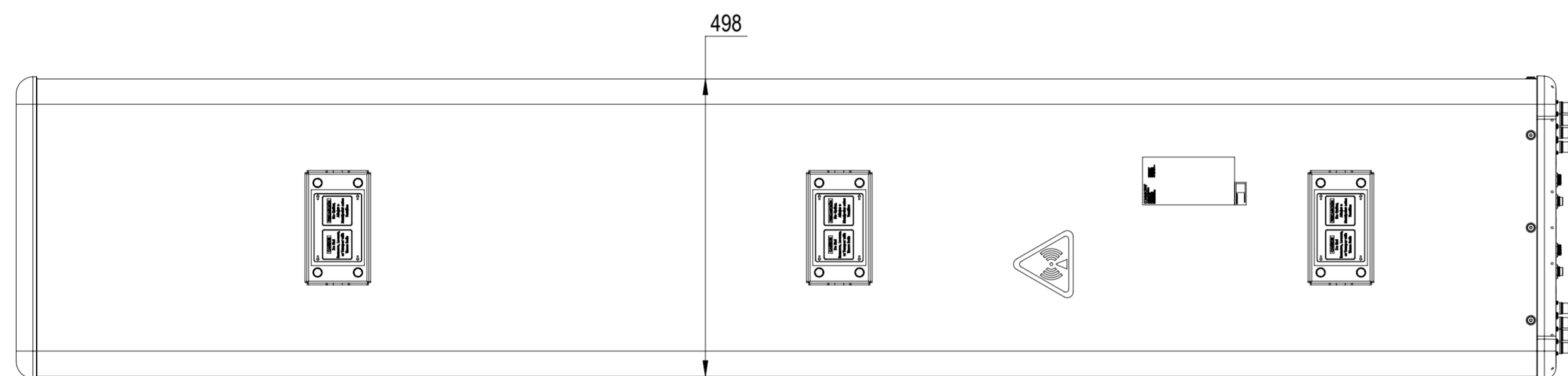
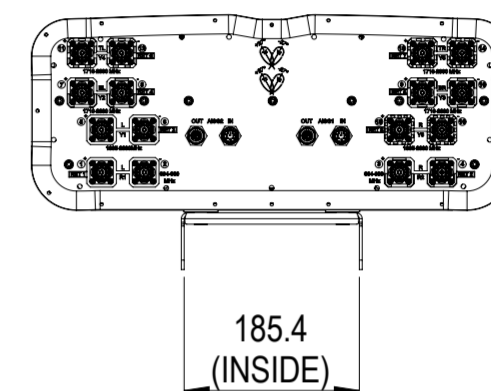
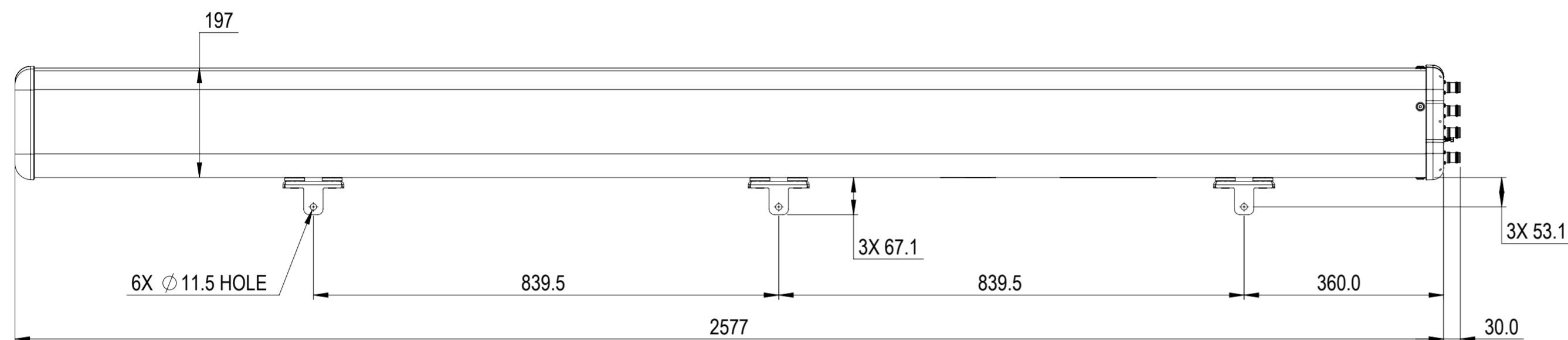


REVISIONS			
REV.	DESCRIPTION	DATE	APPROVED
A	ECR 8000044546: REL TO PRODUCTION PER EAO 608862.	05APR21 RGN	MP/NP



RRVV2VV-6533D-R8

COMMSCOPE, INC. OF NORTH CAROLINA											
TOLERANCES						SAP MATERIAL MASTER					
0 PLACE X ±		2 PLACE .XX ±									
1 PLACE .X ±		ANGLES ±									
FINISH						MATERIAL					
PRODUCT DRAWING											
UNLESS OTHERWISE SPECIFIED DIMENSIONS ARE IN MILLIMETERS INTERPRET PER ISO STANDARDS HANDBOOK TECHNICAL DRAWINGS VOLUMES 1 & 2, THIRD EDITION (2002)	NAME		DATE		TITLE						
	CE	RNAIK4	05APR2021								
	RW	RNAIK4	04/07/2021								
	AD	MB1140	04/07/2021		SCALE		DOCUMENT NO.				
	RE	AC1095	04/07/2021		1:8		RRVV2VV-6533D-R8-L				
ECN 8000044546-0											
DENSITY		g/mm ³		MODEL		DRAWING		SHEET			
MASS		grams		VERSION		STATUS		REVISION		1 OF 1	
VOLUME		mm ³		00		RE		A			
SURFACE AREA		mm ²		A2							
HEIGHT				Auth Group		BSA					
LENGTH											
WIDTH											