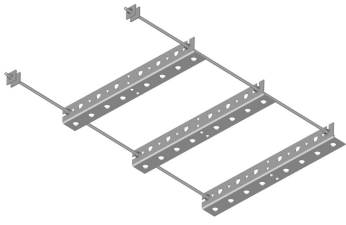


WB-TT24



Trapeze Kit, 24 in wide, three rungs

Product Classification

Product Type Trapeze kit

General Specifications

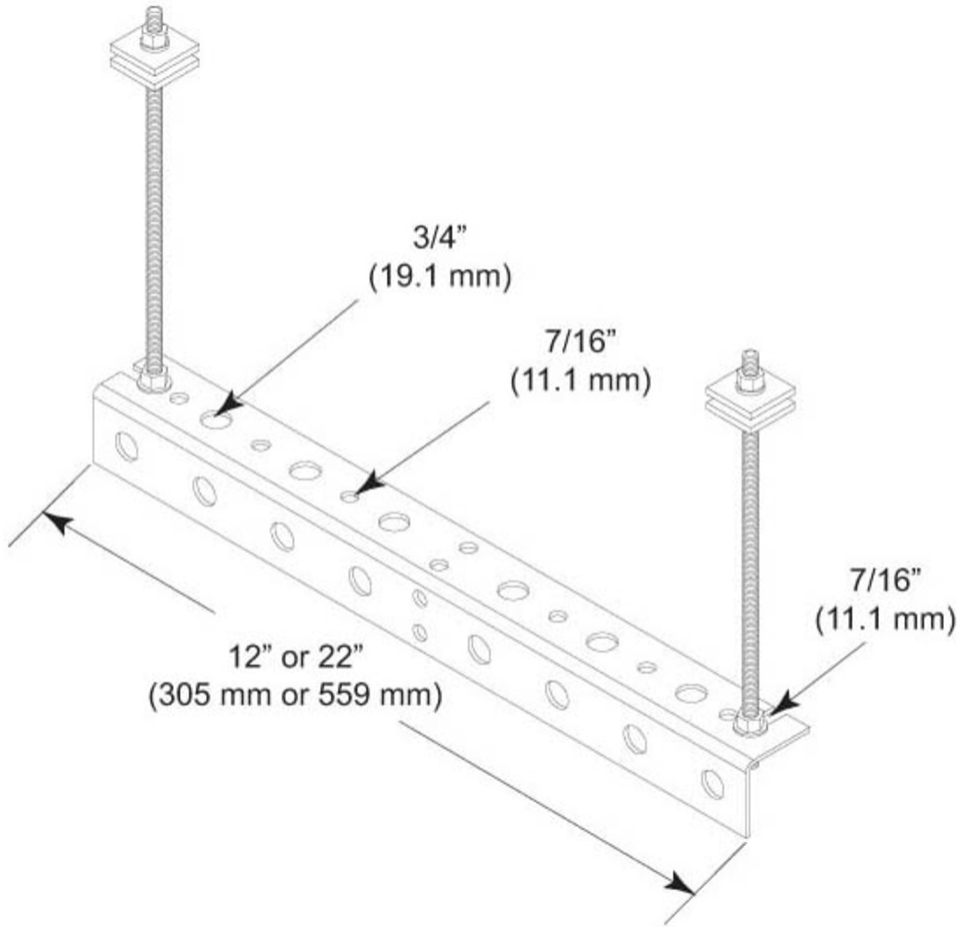
Application Waveguide bridge kit, 24 in
Cable Runs, quantity 18
Hole, quantity 18
Mounting Waveguide bridge channel
Rungs, quantity 3

Dimensions

Height 76.2 mm | 3 in
Width 609.6 mm | 24 in
Length 76.2 mm | 3 in
Hole Size 3/4 in | 7/16 in

WB-TT24

Outline Drawing



Material Specifications

Material Type Hot dip galvanized steel

Packaging and Weights

Included Angle brackets | Hardware | Threaded rod

Packaging quantity 1

Weight, net 5.1 kg | 11.244 lb

Regulatory Compliance/Certifications

Agency **Classification**

WB-TT24

CHINA-ROHS	Above maximum concentration value
ISO 9001:2015	Designed, manufactured and/or distributed under this quality management system
ROHS	Compliant/Exempted
UK-ROHS	Compliant/Exempted

