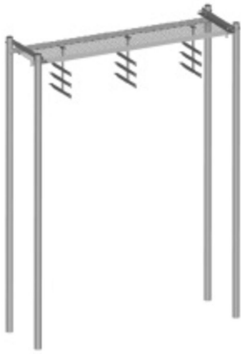


WB-K410-B21



Safety Grated Waveguide Bridge Kit, 24 in x 10 ft, with four 21 ft direct burial posts

Product Classification

Product Type Waveguide bridge kit

General Specifications

Application Direct burial

Cable Runs, quantity 24

Pipe, quantity 4

Dimensions

Height 6,400.8 mm | 252 in

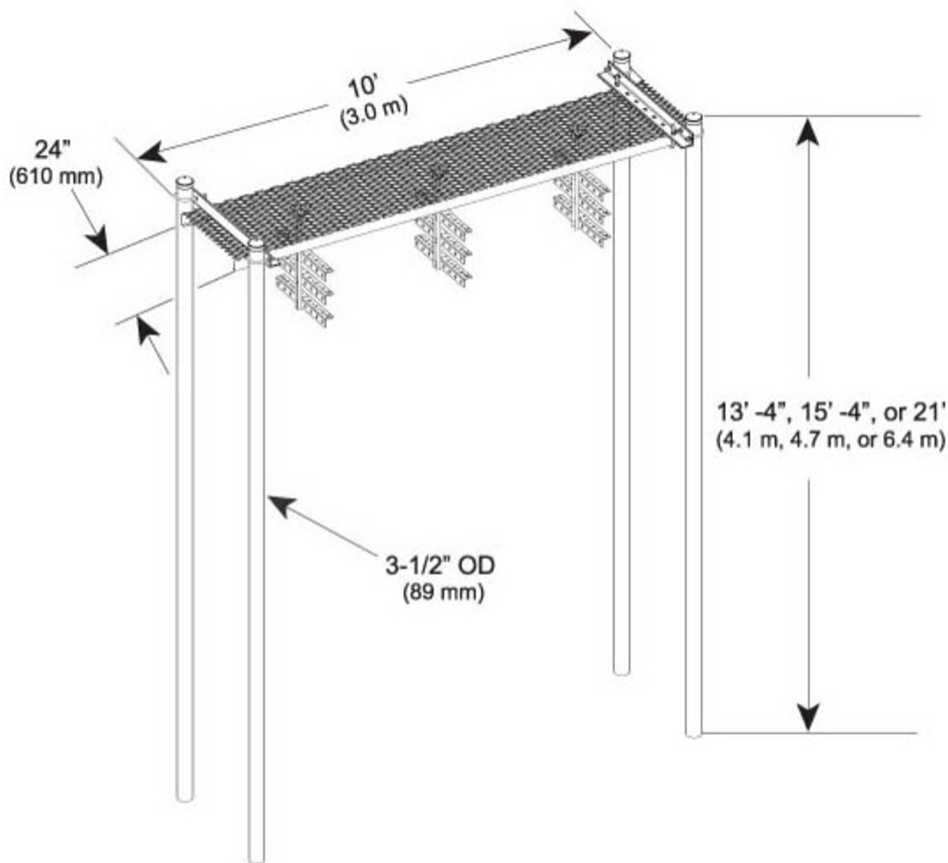
Width 609.6 mm | 24 in

Length 3048 mm | 120 in

Pipe Length 6,400.8 mm | 252 in

WB-K410-B21

Outline Drawing



Material Specifications

Material Type Hot dip galvanized steel

Packaging and Weights

Included Caps | Channel | Hardware | Posts | Support brackets | Trapeze

Packaging quantity 1

Weight, net 270.4 kg | 596.129 lb

Regulatory Compliance/Certifications

Agency

CHINA-ROHS

ISO 9001:2015

Classification

Below maximum concentration value

Designed, manufactured and/or distributed under this quality management system

WB-K410-B21

REACH-SVHC

Compliant as per SVHC revision on www.commscope.com/ProductCompliance

ROHS

Compliant



Included Products

- MT-547 – Bulk Pipe, 3-1/2 in OD x 21 ft
- WB-CS24-3 – Safety Grated Channel Support, 24 in wide for 3-1/2 in OD pipe
- WB-CY210 – Safety Grated Waveguide Bridge Channel, 24 in x 10 ft
- WB-T24-3 – Trapeze Kit, triple tee, 24 in wide, three rungs