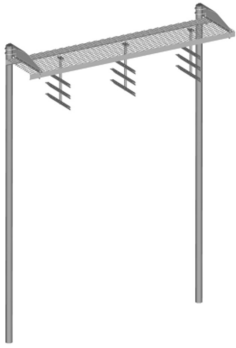


WB-K210-B



Safety Grated Waveguide Bridge Kit, 24 in x 10 ft, with two 13 ft 4 in direct burial posts

Product Classification

Product Type Waveguide bridge kit

General Specifications

Application Direct burial

Cable Runs, quantity 24

Pipe, quantity 2

Dimensions

Height 4064 mm | 160 in

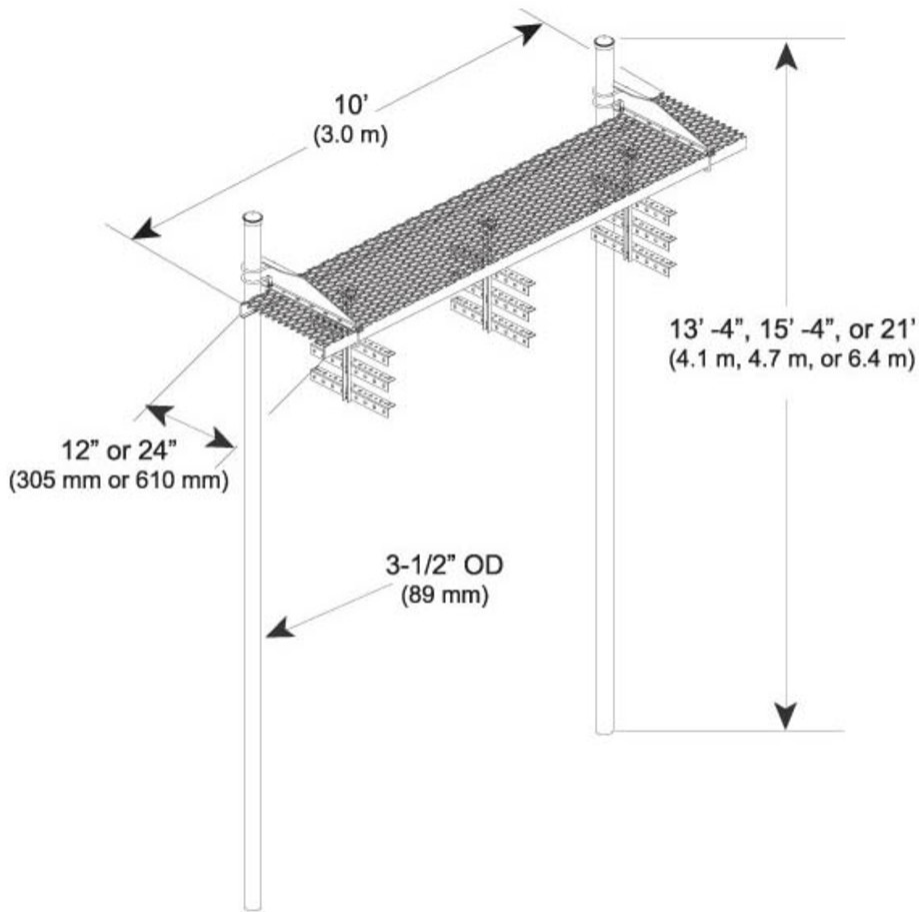
Width 609.6 mm | 24 in

Length 3048 mm | 120 in

Pipe Length 4,053.84 mm | 159.6 in

WB-K210-B

Outline Drawing



Material Specifications

Material Type Hot dip galvanized steel

Packaging and Weights

Included Caps | Channel | Hardware | Posts | Support brackets | Trapeze

Packaging quantity 1

Weight, net 174.6 kg | 384.927 lb

Regulatory Compliance/Certifications

Agency **Classification**

WB-K210-B

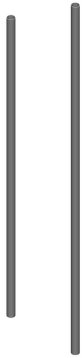
CHINA-ROHS	Above maximum concentration value
ISO 9001:2015	Designed, manufactured and/or distributed under this quality management system
ROHS	Compliant/Exempted
UK-ROHS	Compliant/Exempted



Included Products

- MF-130 – Direct Burial Pipe Column, 13 ft 4 in
- WB-CY210 – Safety Grated Waveguide Bridge Channel, 24 in x 10 ft
- WB-LB24-3 – Waveguide Bridge Support Bracket, 24 in wide for 3-1/2 in OD legs
- WB-T24-3 – Trapeze Kit, triple tee, 24 in wide, three rungs

MF-130



Direct Burial Pipe Column, 13 ft 4 in

Product Classification

Product Type Pipe column

General Specifications

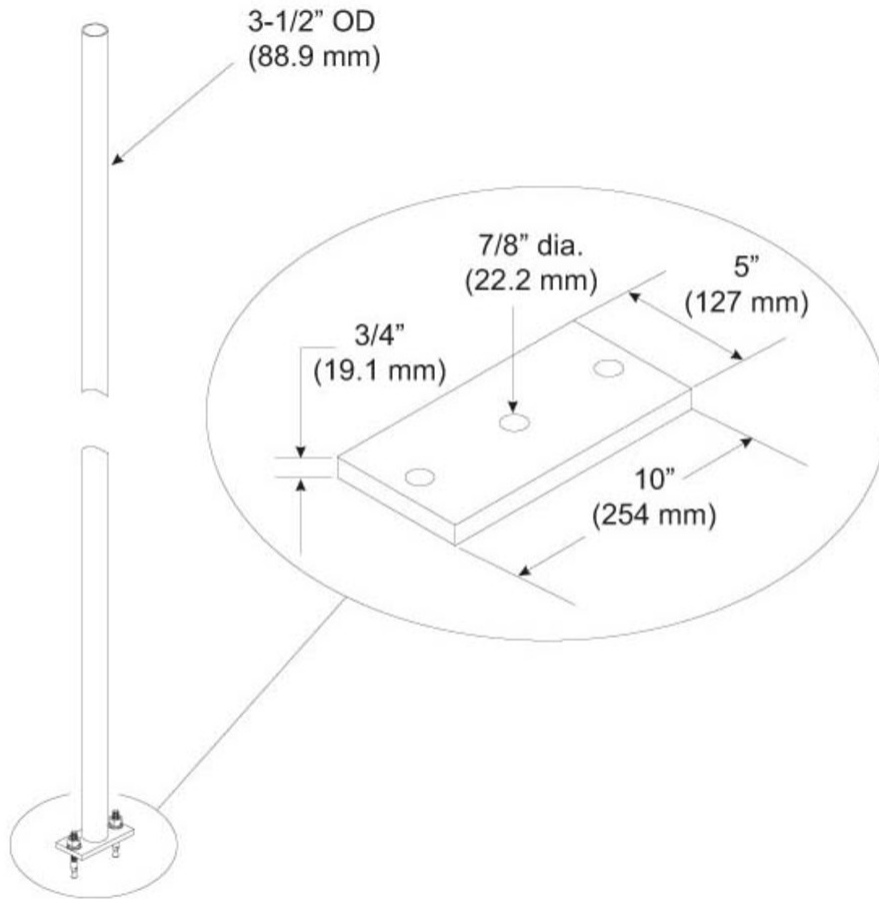
Application Direct burial
Mounting Waveguide bridge support bracket
Pipe, quantity 1

Dimensions

Height 4064 mm | 160 in
Width 88.9 mm | 3.5 in
Length 88.9 mm | 3.5 in
Pipe Length 4,053.84 mm | 159.6 in
Pipe Outer Diameter 88.9 mm | 3.5 in

MF-130

Outline Drawing



Material Specifications

Material Type Hot dip galvanized steel

Packaging and Weights

Included Anchors | Pipe

Packaging quantity 1

Weight, net 45.8 kg | 100.972 lb

Regulatory Compliance/Certifications

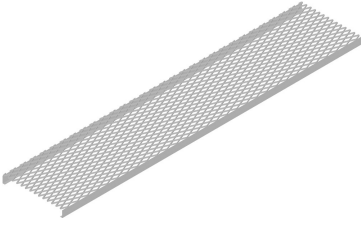
Agency **Classification**

MF-130

CHINA-ROHS	Above maximum concentration value
ISO 9001:2015	Designed, manufactured and/or distributed under this quality management system
ROHS	Compliant/Exempted
UK-ROHS	Compliant



WB-CY210



Safety Grated Waveguide Bridge Channel, 24 in x 10 ft

Product Classification

Product Type Waveguide bridge channel

General Specifications

Application Waveguide bridge kit, 24 in

Dimensions

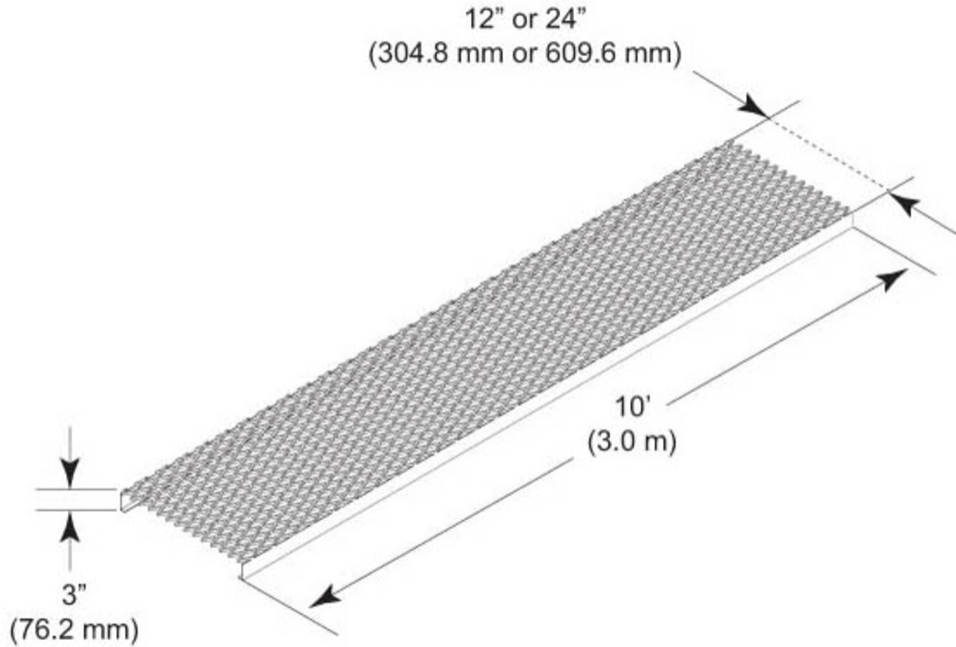
Height 76.2 mm | 3 in

Width 609.6 mm | 24 in

Length 3048 mm | 120 in

WB-CY210

Outline Drawing



Material Specifications

Material Type Hot dip galvanized steel

Packaging and Weights

Included Bridge channel

Packaging quantity 1

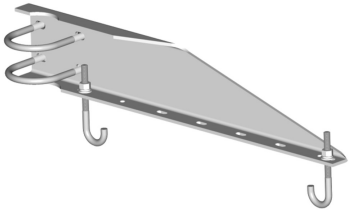
Weight, net 50.4 kg | 111.113 lb

Regulatory Compliance/Certifications

Agency	Classification
CHINA-ROHS	Above maximum concentration value
ISO 9001:2015	Designed, manufactured and/or distributed under this quality management system
ROHS	Compliant/Exempted
UK-ROHS	Compliant



WB-LB24-3



Waveguide Bridge Support Bracket, 24 in wide for 3-1/2 in OD legs

Product Classification

Product Type Support bracket

General Specifications

Application Waveguide bridge kit, 24 in

Cable Runs, quantity 24

Mounting Pipe, 88.9 mm (3-1/2 in) OD

Dimensions

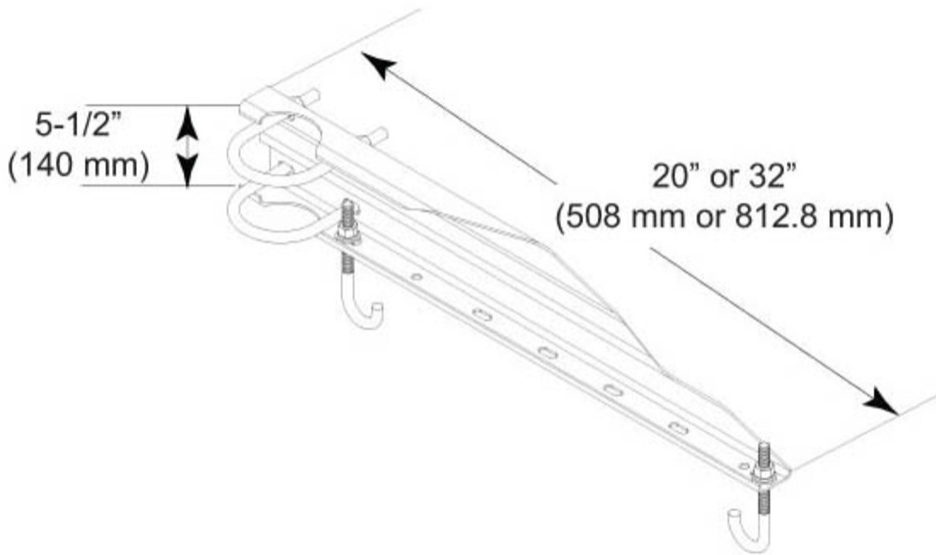
Height 50.8 mm | 2 in

Width 812.8 mm | 32 in

Length 152.4 mm | 6 in

WB-LB24-3

Outline Drawing



Material Specifications

Material Type Hot dip galvanized steel

Packaging and Weights

Included Brackets | Hardware

Packaging quantity 1

Weight, net 7.3 kg | 16.094 lb

Regulatory Compliance/Certifications

Agency

CHINA-ROHS

ISO 9001:2015

ROHS

UK-ROHS

Classification

Above maximum concentration value

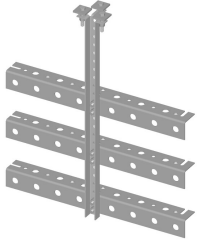
Designed, manufactured and/or distributed under this quality management system

Compliant/Exempted

Compliant



WB-T24-3



Trapeze Kit, triple tee, 24 in wide, three rungs

Product Classification

Product Type Trapeze kit

General Specifications

Application Waveguide bridge kit, 24 in

Cable Runs, quantity 24

Hole, quantity 24

Mounting Waveguide bridge channel

Rungs, quantity 3

Dimensions

Height 76.2 mm | 3 in

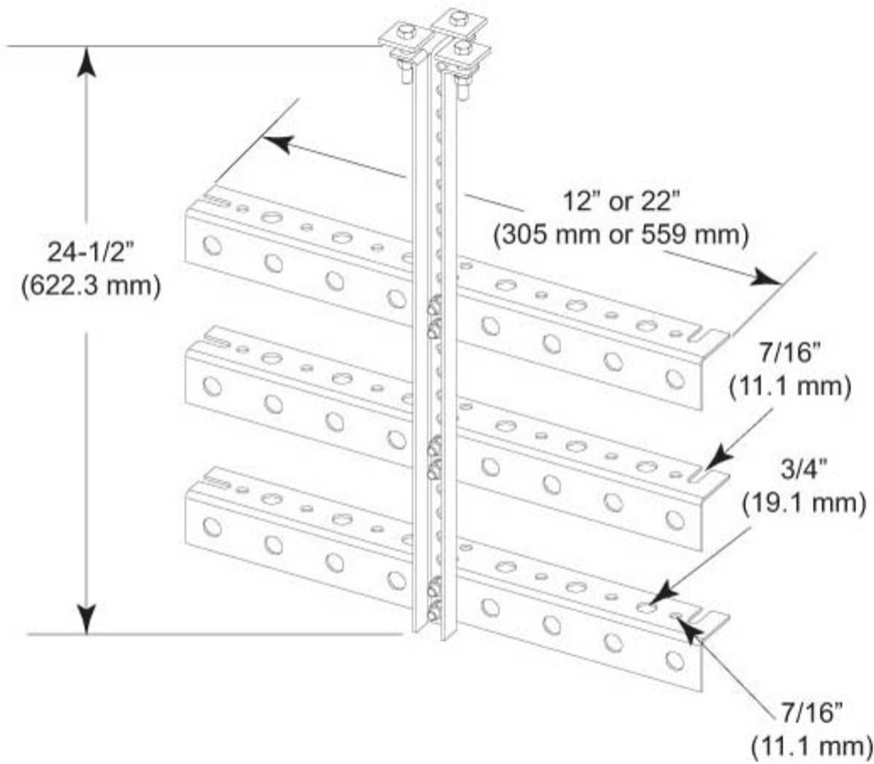
Width 609.6 mm | 24 in

Length 635 mm | 25 in

Hole Size 3/4 in | 7/16 in

WB-T24-3

Outline Drawing



Material Specifications

Material Type Hot dip galvanized steel

Packaging and Weights

Included Angle brackets | Mounting hardware

Packaging quantity 1

Weight, net 5.9 kg | 13.007 lb

Regulatory Compliance/Certifications

Agency

ISO 9001:2015

Classification

Designed, manufactured and/or distributed under this quality management system

