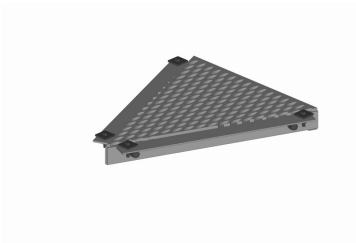


# WB-CF45

---



Waveguide Bridge Corner Filler, 45°

## Product Classification

**Product Type** Waveguide bridge kit

## General Specifications

**Application** Waveguide bridge kit, 24 in

**Mounting** Waveguide bridge kit

## Dimensions

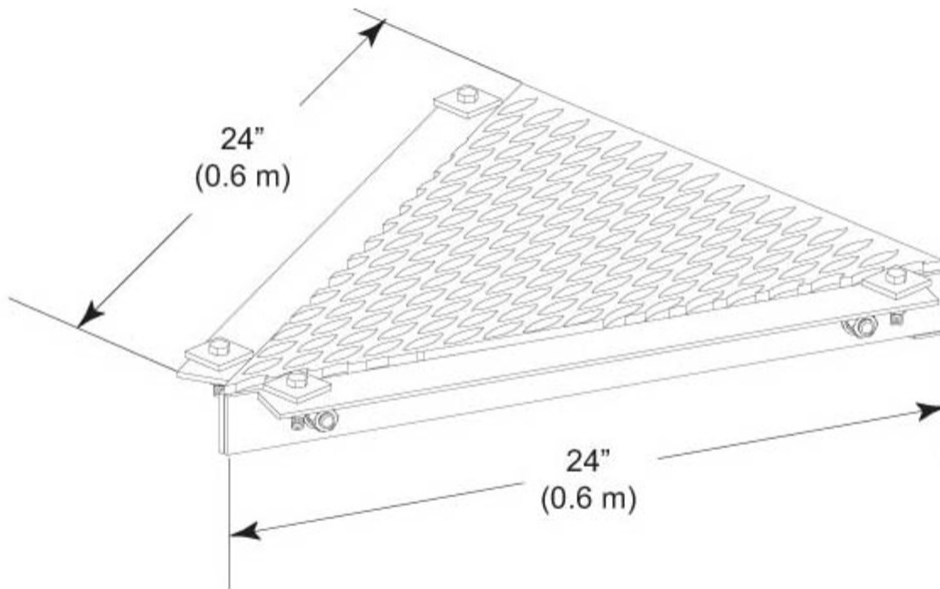
**Height** 76.2 mm | 3 in

**Width** 609.6 mm | 24 in

**Length** 609.6 mm | 24 in

# WB-CF45

## Outline Drawing



## Material Specifications

**Material Type** Hot dip galvanized steel

## Packaging and Weights

**Included** Corner modules | Mounting hardware

**Packaging quantity** 1

**Weight, net** 14.5 kg | 31.967 lb

## Regulatory Compliance/Certifications

Agency	Classification
CHINA-ROHS	Below maximum concentration value
ISO 9001:2015	Designed, manufactured and/or distributed under this quality management system
REACH-SVHC	Compliant as per SVHC revision on <a href="http://www.commscope.com/ProductCompliance">www.commscope.com/ProductCompliance</a>
ROHS	Compliant

