

FACT FRAME

INSTALLATION INSTRUCTION: Overlength Bay

COMMSCOPE®

FACT FRAME OVERLENGTH BAY

Contents

1.	General product information	2	6.	Side To Side Mount	8
2.	Warnings and caution	2	7.	Wall Mount.....	9
3.	Kit Content	3	8.	Trade-marks	12
4.	Overlength Bay Assembly.....	4	9.	Contact Information.....	12
5.	Routing Assembly.....	6			

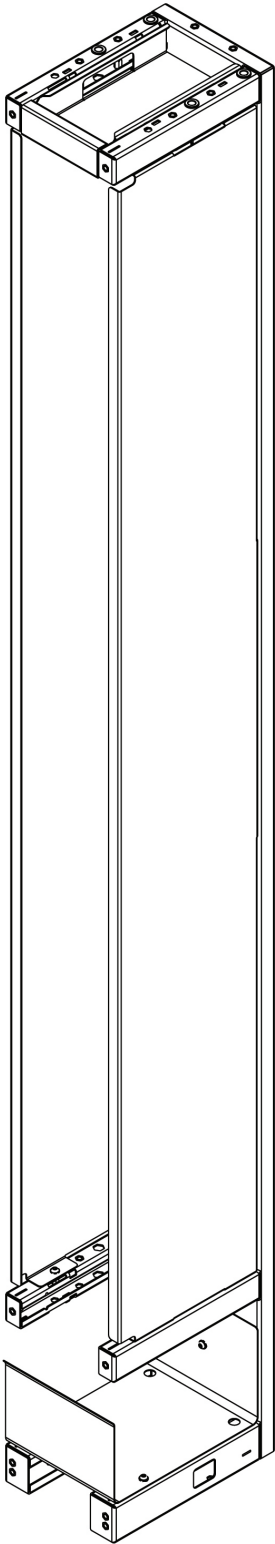
1. General product information

The patch cord over length bay (OLB) is designed to store and manage the cross connect patch cord overlengths between frames in a FACT cross connect line-up.

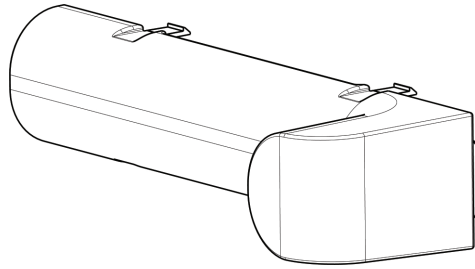
2. Warnings and caution

- Fiber optic cables may be damaged if bent or curved to a radius that is less than the recommended minimum bend radius. Always observe the recommended bend radius limit when installing fiber optic cables and patch cords.
- Exposure to laser radiation can seriously damage the retina of the eye. Do not look into the ends of any optical fiber. Do not assume the laser power is turned off or that the fiber is disconnected at the other end.

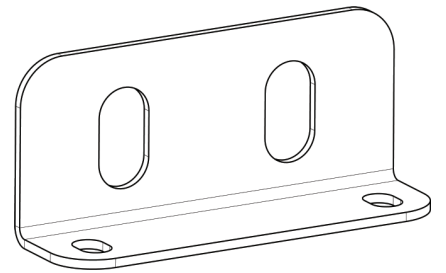
3. Kit Content



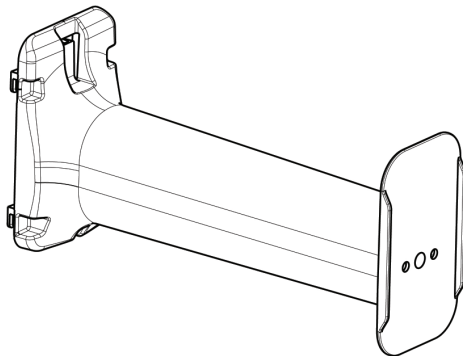
1x Base Overlength Bay



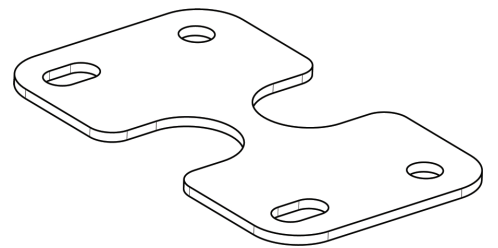
2x Collector Edge



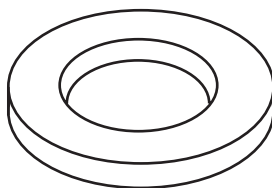
2x Wall Plate



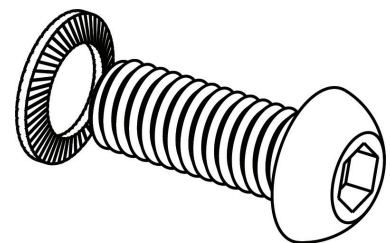
11x Collector Edge



6x Collector Edge

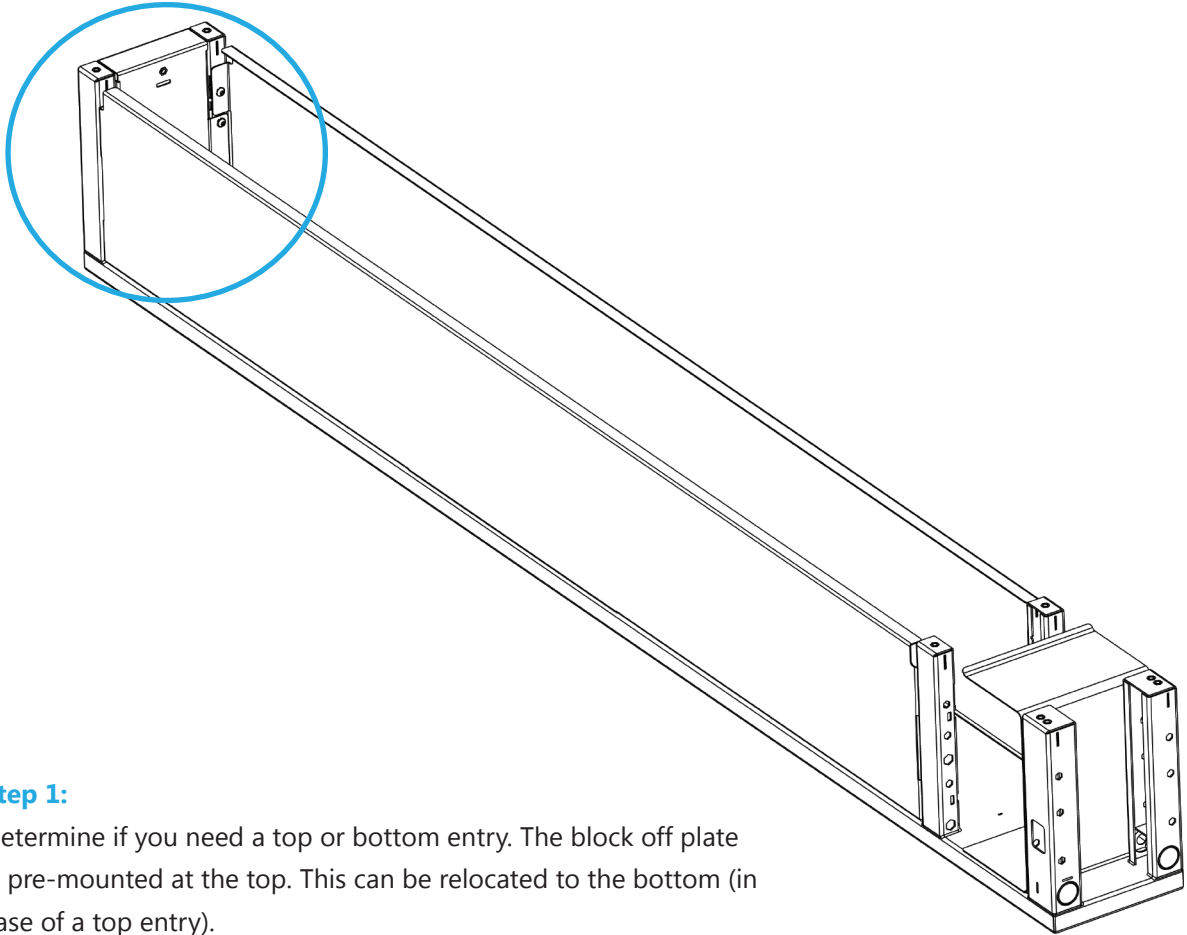


2x M10 Flat Washer



16x M6 Bolt+Washer

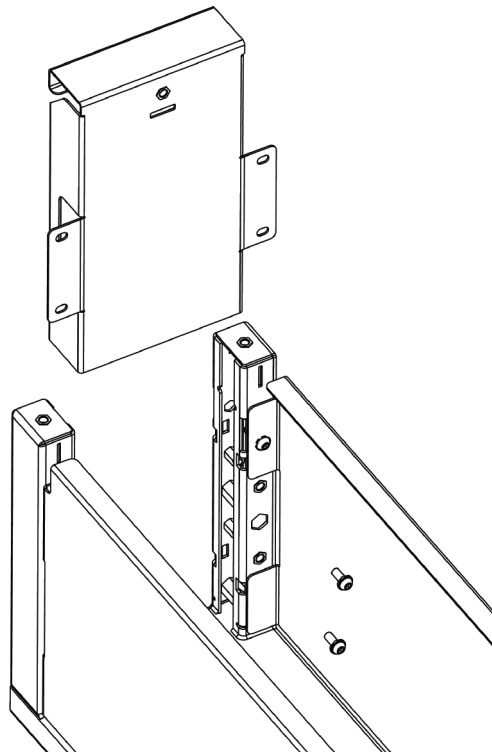
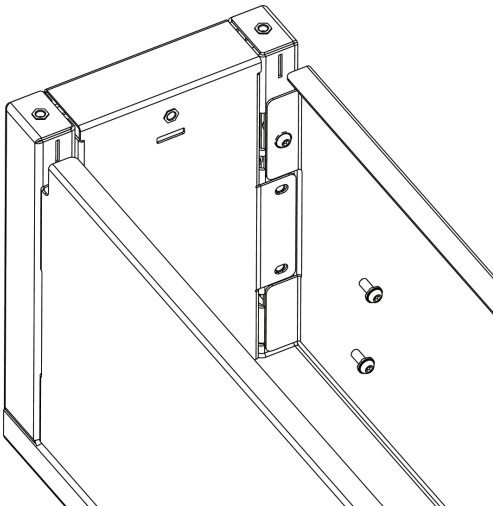
4. Overlength Bay Assembly - Step 1



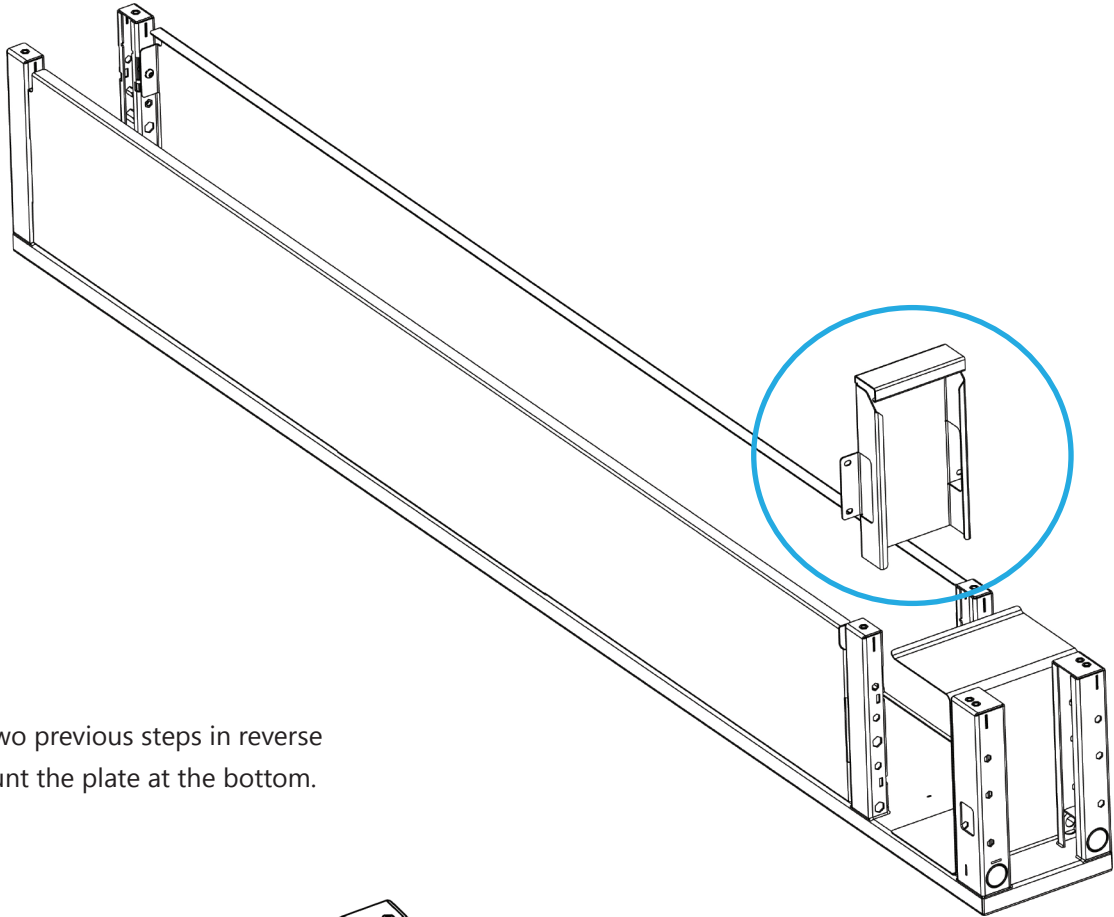
Step 1:

Determine if you need a top or bottom entry. The block off plate is pre-mounted at the top. This can be relocated to the bottom (in case of a top entry).

* To relocate this plate to the bottom: unscrew the 4 middle M6 bolts (+washers) and screw the plate on the bottom.

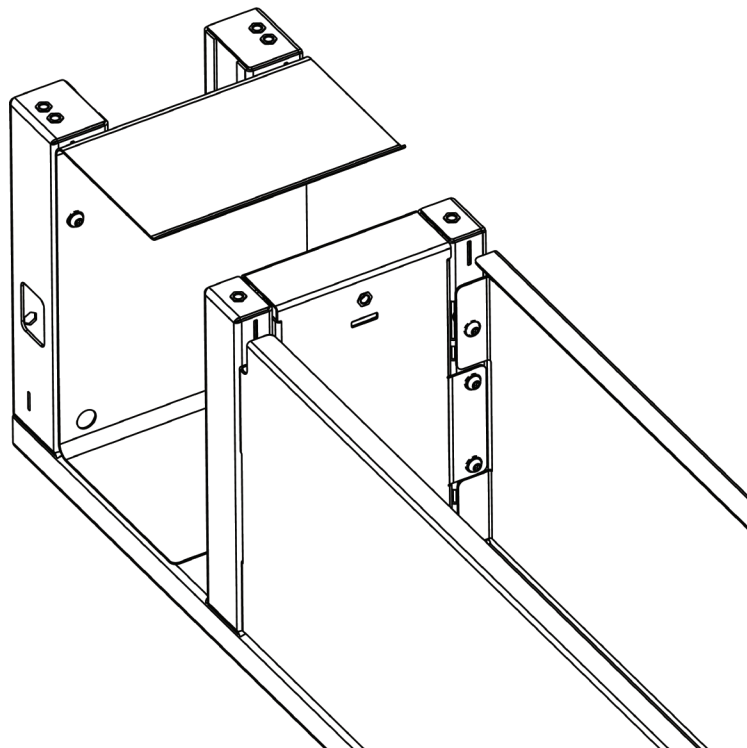


4. Overlength Bay Assembly - Step 2

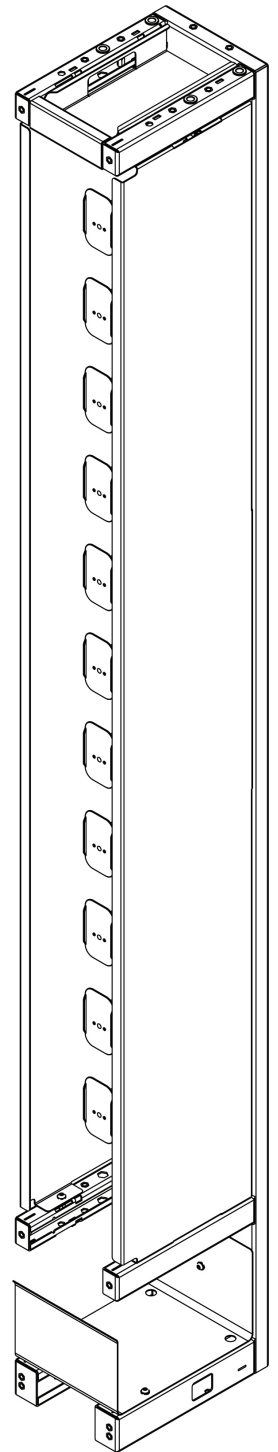
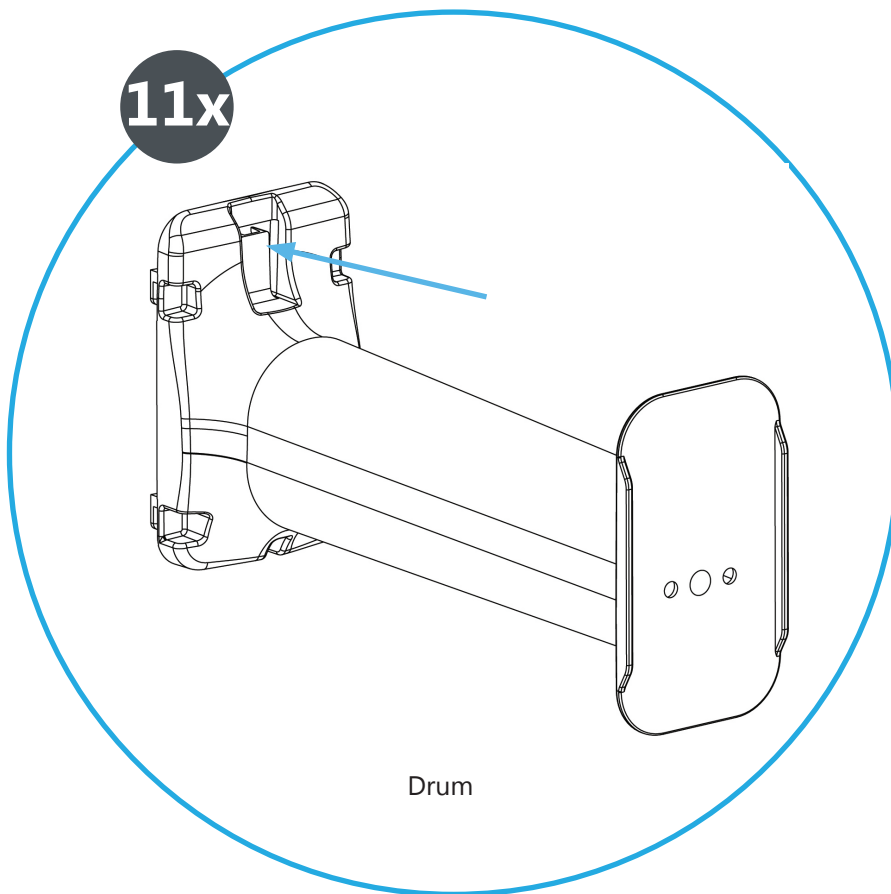


*** Step 2:**

Repeat the two previous steps in reverse order to mount the plate at the bottom.



5. Routing Assembly - Step 3



Step 3:

Mount the drums:

* To mount a drum:

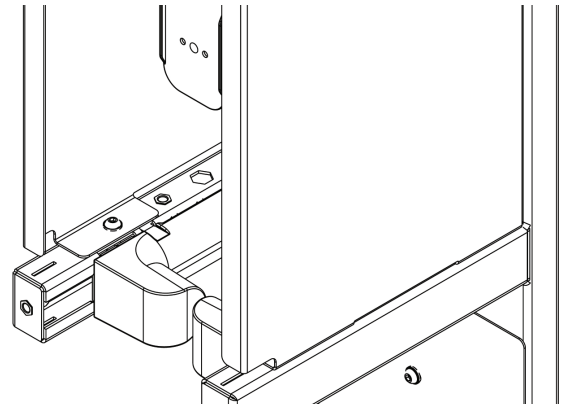
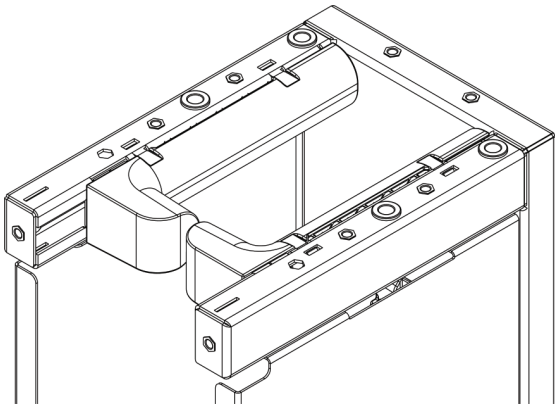
Push the drum through the openings (pattern).

Slide down the drum until it's fully "clicked".

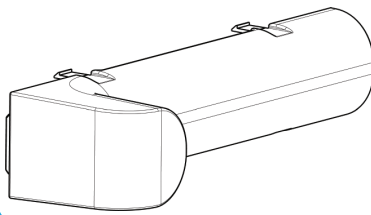
* To release a drum:

Pull back the snap hook (as indicated with the arrow) and lift the drum out.

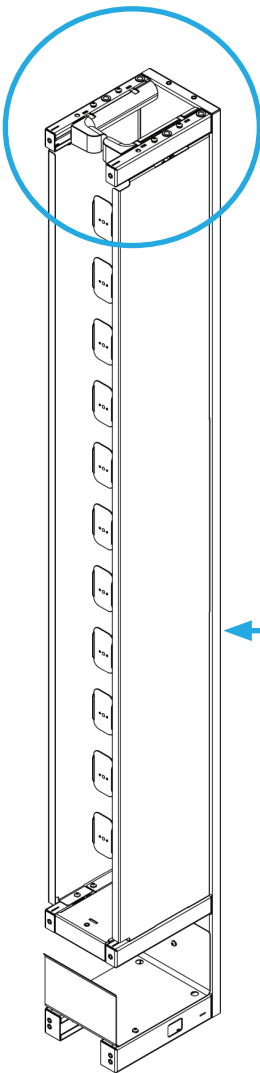
5. Routing Assembly - Step 4



2x



Collector Edge

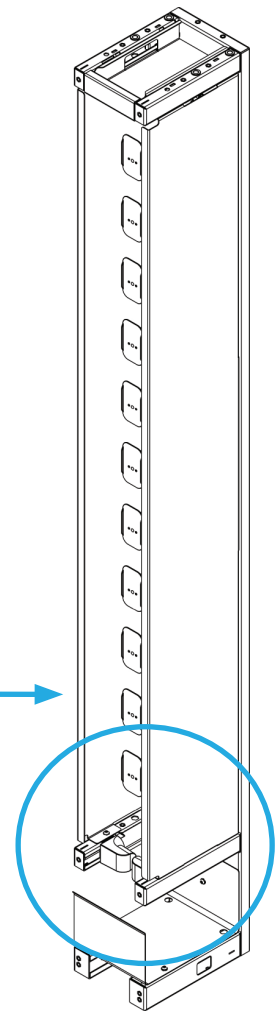


Step 4:

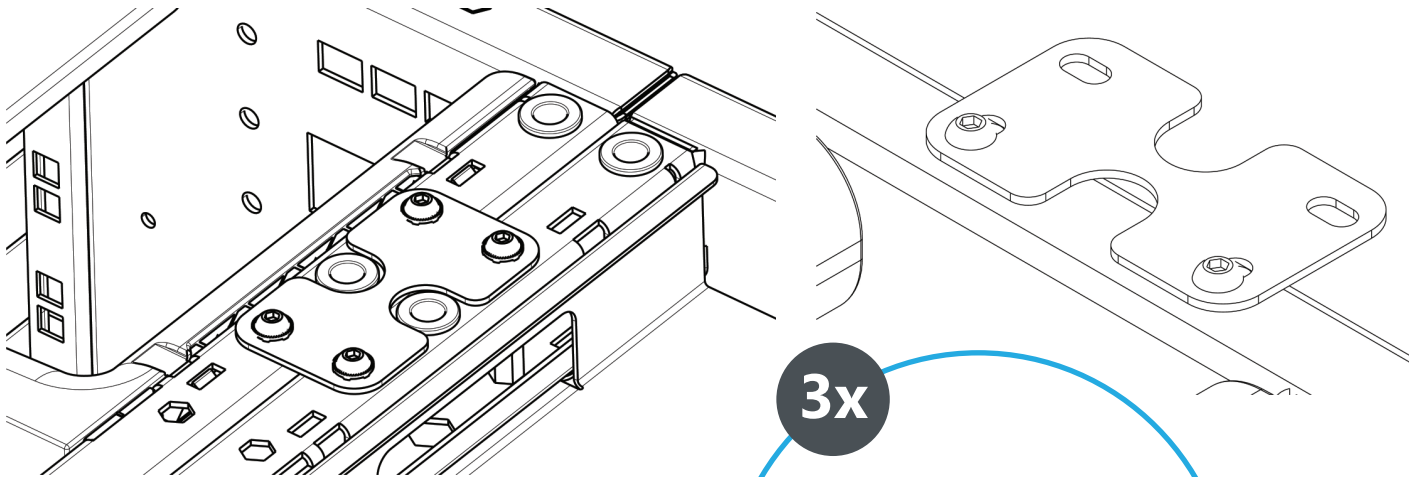
Mount the collector edges, by "clicking" these in.

For a "Top Entry Configuration", assemble these at the top (illustrated on the left).

For a "Bottom Entry Configuration", assemble these at the bottom. (as illustrated on the right).



6. Side To Side Mount

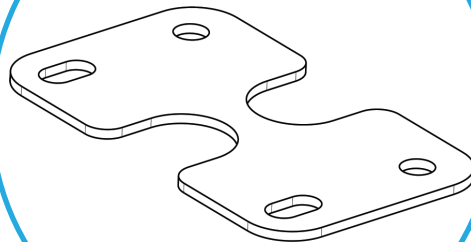


12x

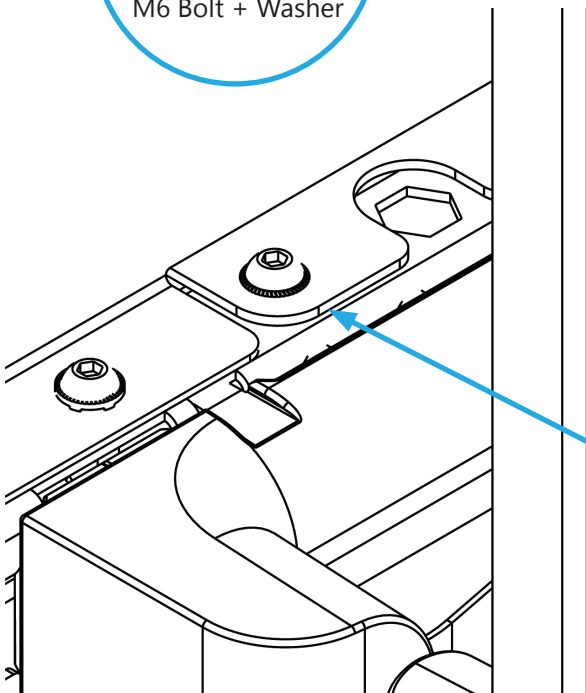


M6 Bolt + Washer

3x



Connection Plate



The overlength bay can be mounted to another FACT Frame-products.

Use the mounting positions on the top and bottom to mount the overlength bay side to side or back to back with other FACT Frame-products.

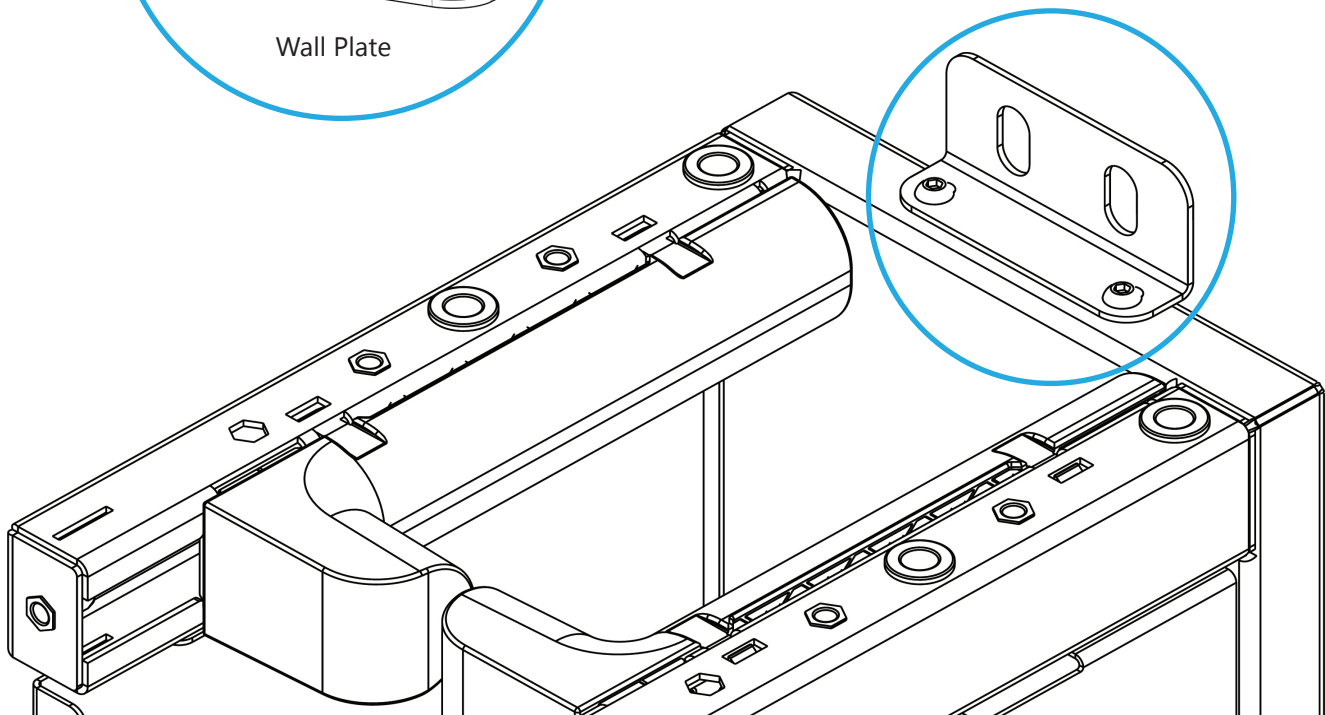
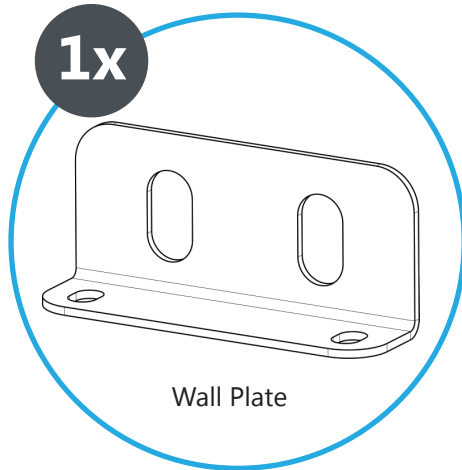
* ! When the configuration is a top entry, use two M10 flat washers **between** the bottom plate and the connection plate to level it out.

2x



* M10 Flat Washer

7. Wall Mount



The overlength bay can be fixed to the wall with the wall plate.

8. Trade-marks:

All trademarks identified by ® or ™ are registered trademarks or trademarks, respectively, of CommScope, Inc. This document is for planning purposes only and is not intended to modify or supplement any specifications or warranties relating to CommScope products or services. CommScope is committed to the highest standards of business integrity and environmental sustainability, with a number of CommScope's facilities across the globe certified in accordance with international standards, including ISO9001, TL 9000, and ISO 14001. Further information regarding CommScope's commitment can be found at:
www.commscope.com/About-Us/Corporate-Responsibilityand-Sustainability.

9. Contact Information:

Visit our website or contact your local CommScope representative for more information.

For technical assistance, customer service, or to report any missing/damaged parts, visit us at:

<http://www.commscope.com/SupportCenter>

This product is covered by one or more U.S. patents or their foreign equivalents. For patents, see www.commscope.com/ProductPatent/ProductPatent.aspx

© 2019 Commscope,
Inc. All Rights Reserved