

4

3

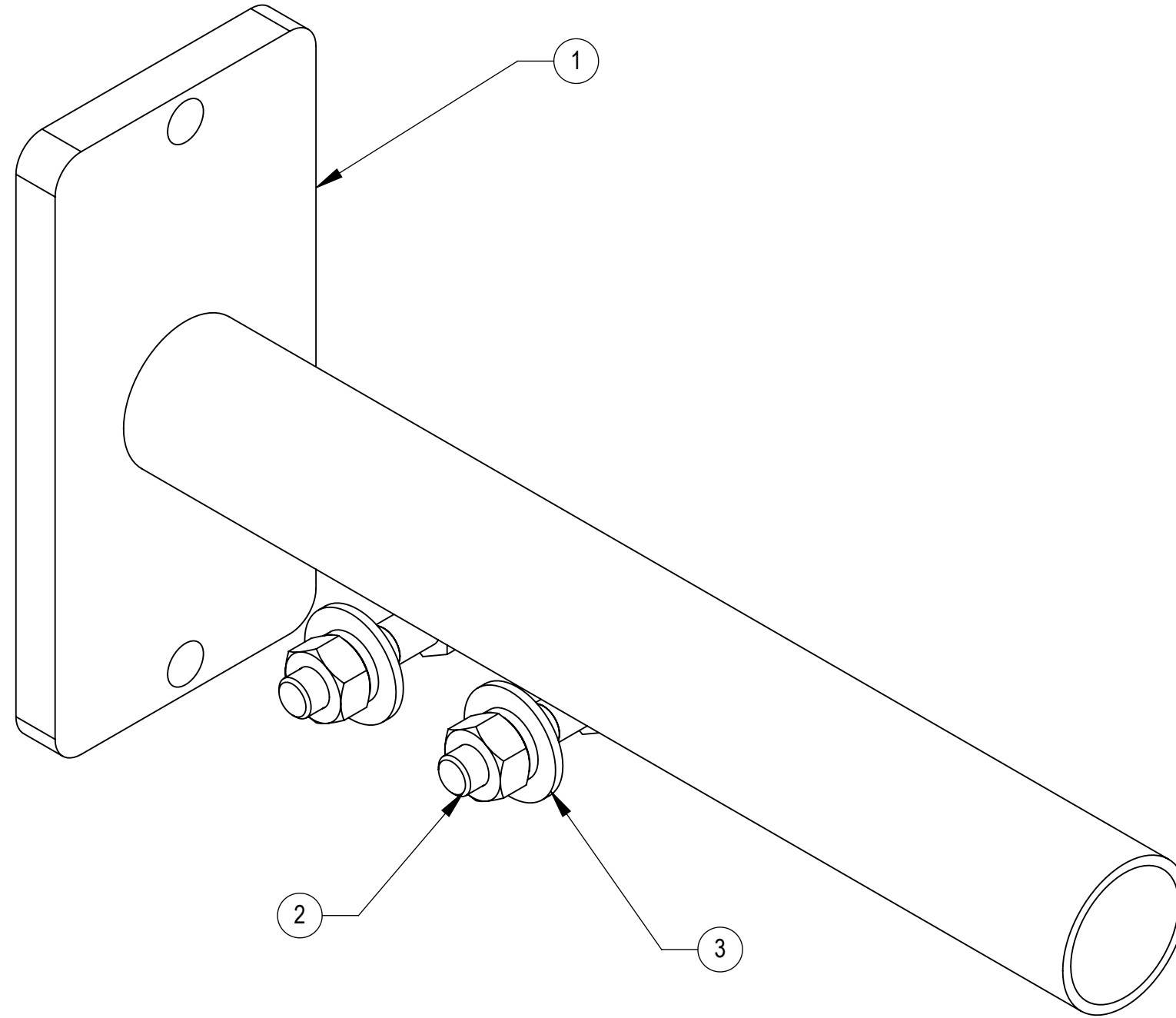
2

1

NOTES:

- 1.0 GENERAL NOTES
- 2.0 DESIGN NOTES
- 3.0 MANUFACTURING/SPECIAL REQUIREMENTS
 - 3.1 FINISH: -XX SUFFIX ON PRODUCT PART NUMBER REPRESENTS SPECIFIC COLOR AND/OR FINISH. REFER TO METROCELL DOCUMENT MTM1004 FOR SPECIFIC COLOR/FINISH REQUIREMENTS.
- 4.0 TEST
- 5.0 PACKAGING

REVISIONS				
REV.	ECN	DESCRIPTION	BY	DATE
A	8000035208	INITIAL RELEASE	MMCFALL	5/17/2019
B	8000036479	CORRECTED BOM, ITEM 2 WAS GB-0624A	SF1043	07/18/2019



COMMSCOPE, INC. OF NORTH CAROLINA										
TOLERANCES					SAP MATERIAL MASTER					
1 PLACE .X ± 0.1		3 PLACE .XXX ± 0.010			860639396-BX					
2 PLACE .XX ± 0.03		ANGLES ± 0.5°								
FINISH SEE NOTES					MATERIAL N/A					
UNLESS OTHERWISE SPECIFIED DIMENSIONS ARE IN INCHES INTERPRET PER ANSI Y 14.5M-1994	CE	MMCFALL	05/17/2019	MTG POLE, LUM ARM, BOX LIGHT ADAPTER						
	RW	SF1043	07/30/2019							
	RV									
	AD	MMCFALL	07/30/2019							
	RE	SF1043	07/30/2019							
ECN 008000036479				SCALE	DOCUMENT NO.					
				1:2	860639396-XX					
SIZE	WORK AREA	24	MODEL			DRAWING				SHEET 1 OF 1
C		VERSION	STATUS	REVISION	VERSION	STATUS	REVISION			
		01	RE	B	01	RE	B			

ITEM NO.	PART NUMBER	DESCRIPTION	QTY.	NOTES
1	860499995-103-XX	MTG POLE, LUM ARM, BOX LIGHT ADAPTER	1	
2	GB-0524A	5/8" X 2-1/2" GALV HEX BOLT (A325)	2	
3	GWF-05	5/8" GALV FLAT WASHER	2	

DENSITY	16.21	lbs/in ³
MASS	57.50	lbs
VOLUME	413.29	in ³
SURFACE AREA		in ²
HEIGHT	10	
LENGTH	18.75	
WIDTH	5	

© 2019 CommScope, Inc.

4

3

2

1

4

3

2

1

1.0 GENERAL NOTES

- 1.1 ALL METRIC DIMENSIONS ARE IN BRACKETS.
- 1.2 CRITICAL TO QUALITY MARKED BY (X)

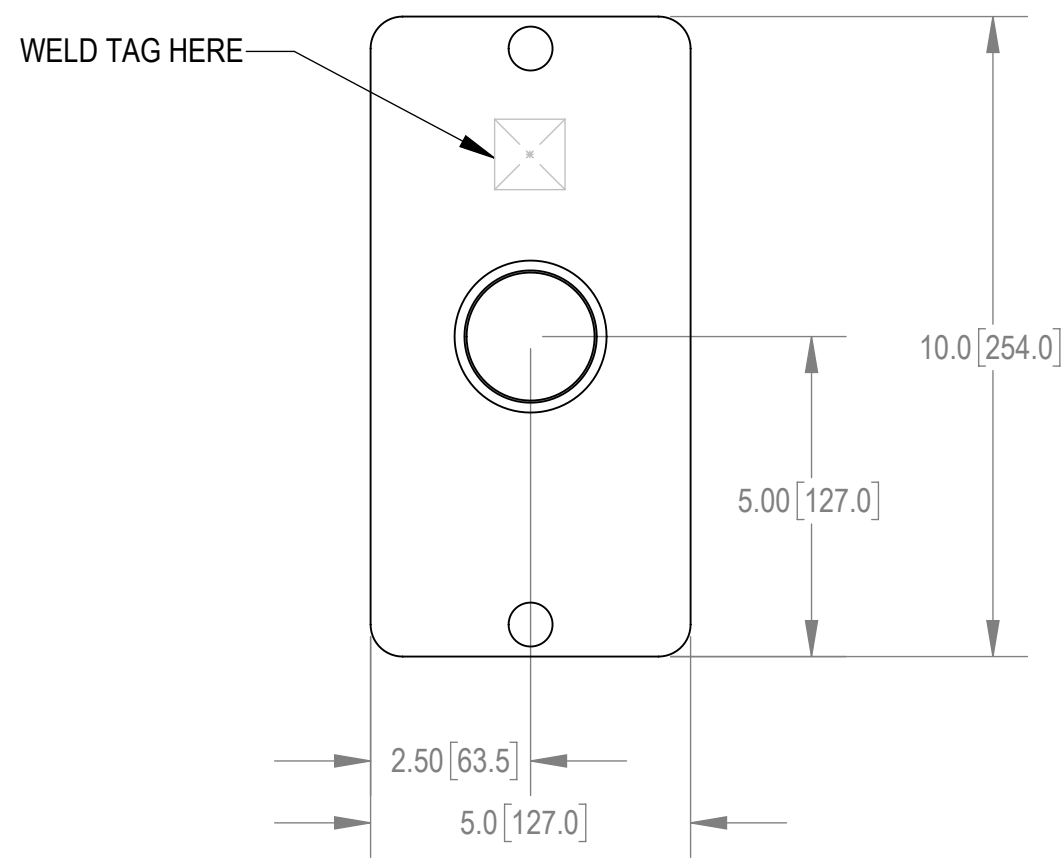
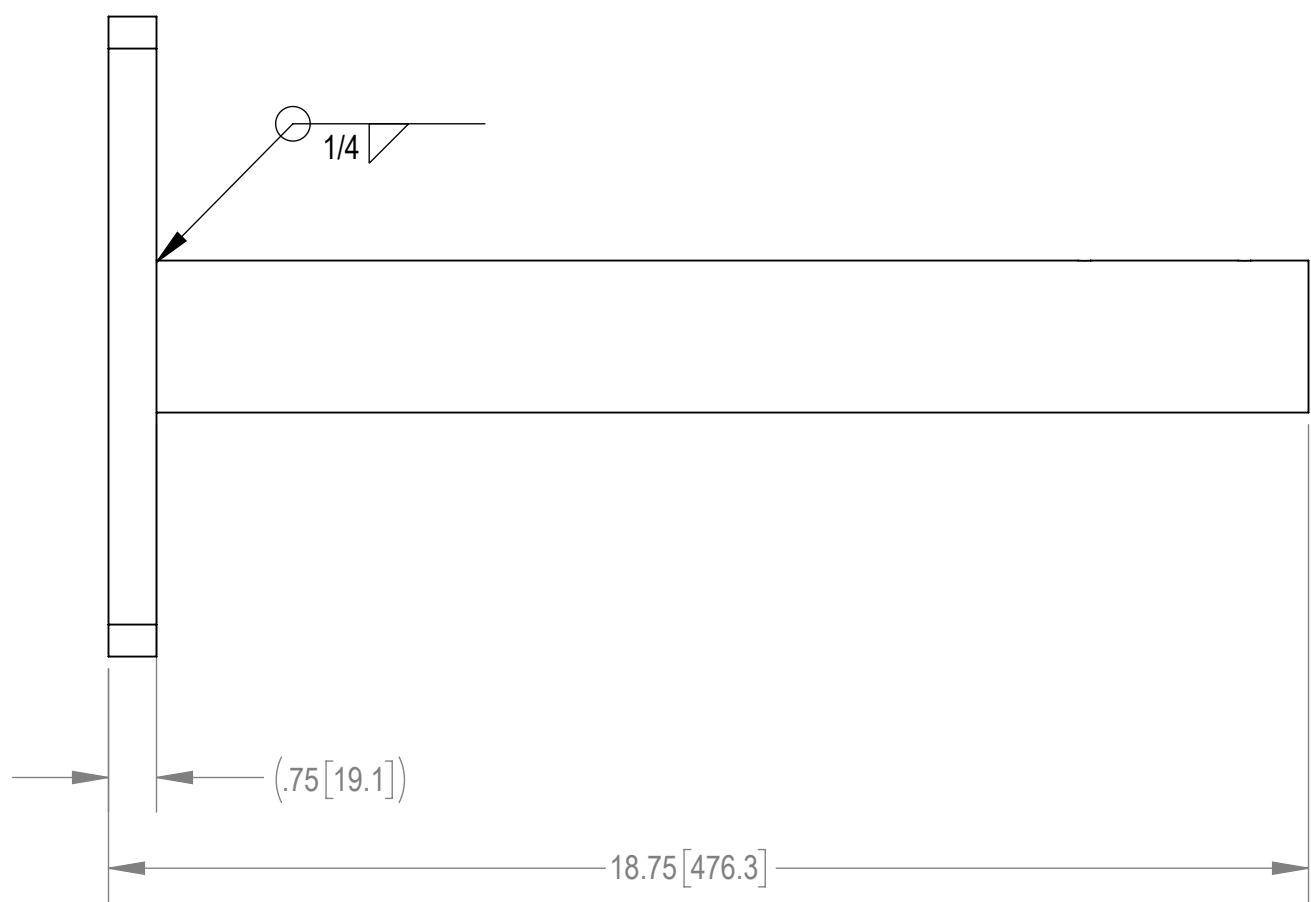
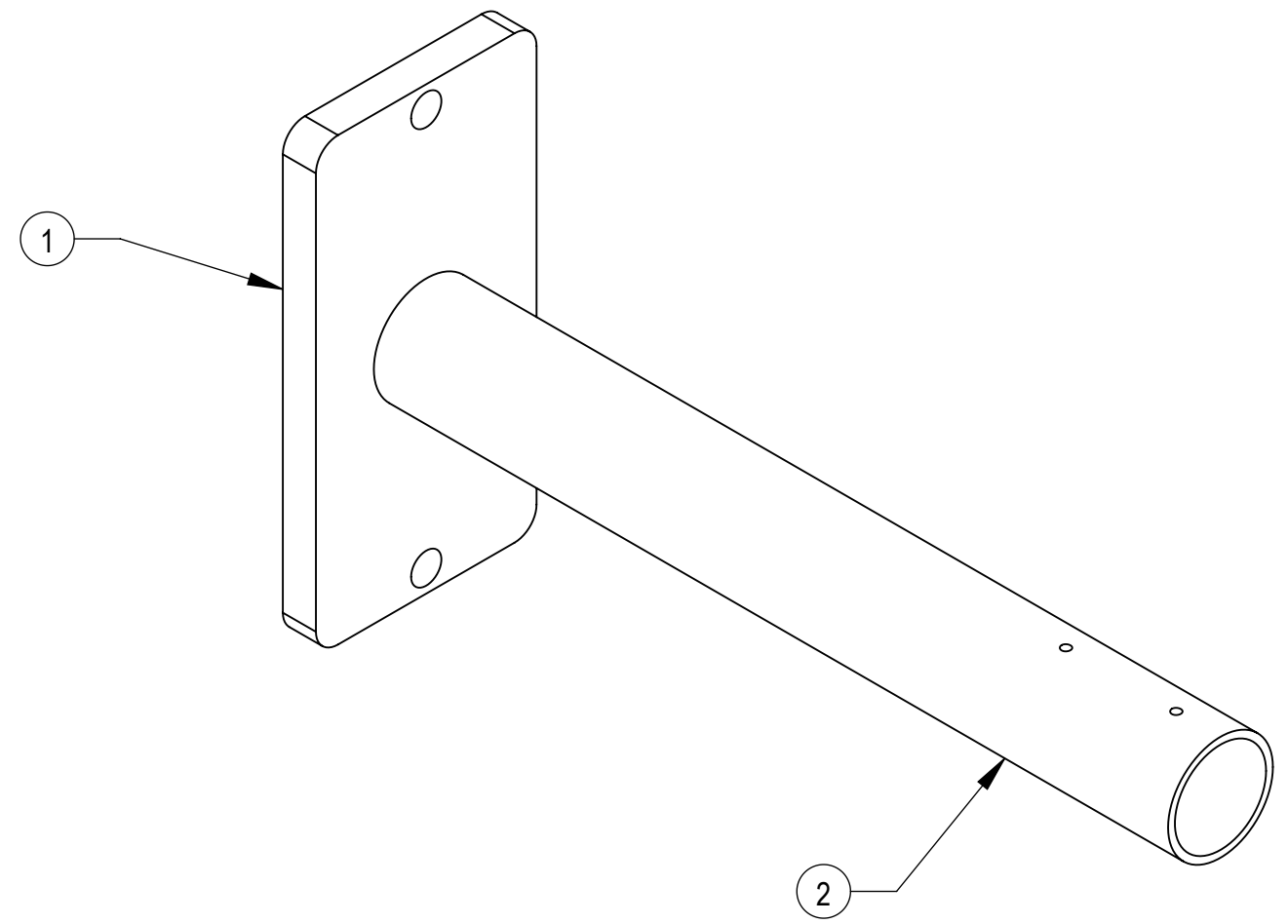
2.0 DESIGN NOTES

3.0 MANUFACTURING/SPECIAL REQUIREMENTS


- 3.1 WELDING WORKMANSHIP PER AWS D1.1
- 3.2 FINISH 1A; GALV A123
 - 2A: POWDERCOAT -XX SUFFIX ON PRODUCT PART NUMBER REPRESENTS COLOR AND/OR FINISH. REFER TO METROCELL DOCUMENT MTM1004 FOR SPECIFIC REQUIREMENTS.
- 3.3 ALL WELDING SHALL BE PERFORMED BY CERTIFIED WELDERS ONLY. WELDING ELECTRODES SHALL BE E70XX.

- 4.0 TEST
- 5.0 PACKAGING

REVISIONS				
REV.	ECN	DESCRIPTION	BY	DATE
A	8000035208	INITIAL RELEASE	MMCFALL	5/16/2019
B	8000037076	ADDED TAPPED HOLES TO ITEM 2	GR1010	08/27/2019



COMMSCOPE, INC. OF NORTH CAROLINA

TOLERANCES		SAP MATERIAL MASTER						
1 PLACE .X ± .12	3 PLACE .XXX ± 0.030	860499995-103-XX						
2 PLACE .XX ± .06	ANGLES ± 0.5°							
FINISH SEE NOTES		MATERIAL SEE BOM						
<small>UNLESS OTHERWISE SPECIFIED DIMENSIONS ARE IN INCHES INTERPRET PER ANSI Y 14.5M-1994</small>		NAME	DATE	MTG POLE, LUM ARM, BOX LIGHT ADAPTER				
		CE MMC FALL	05/16/2019					
		RW GR1010	10/14/2019					
		RV						
		AD CC1022	10/15/2019					
RE GR1010	10/16/2019	SCALE	DOCUMENT NO.	860499995-103-XX				
ECN 008000037076	1:3							
SIZE	WORK AREA 24	MODEL		DRAWING				
C		VERSION	STATUS	REVISION	VERSION	STATUS	REVISION	SHEET
		02	RE	B	01	RE	B	1 OF 1

ITEM NO.	PART NUMBER	DESCRIPTION	QTY.
1	860499995-001	LUMINAIRE BASE PLATE	1
2	860499995-005	LUMINAIRE ARM EXTENSION, LONG	1

4

3

2

1