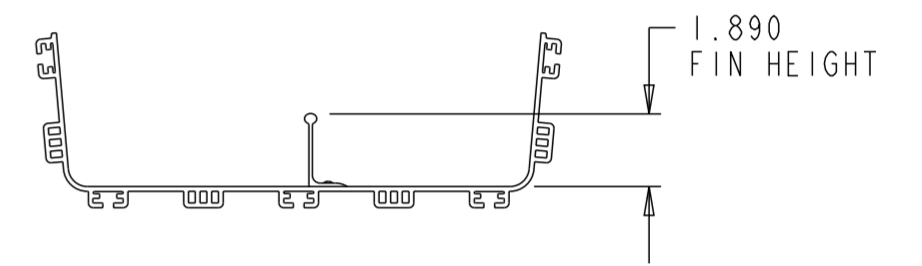
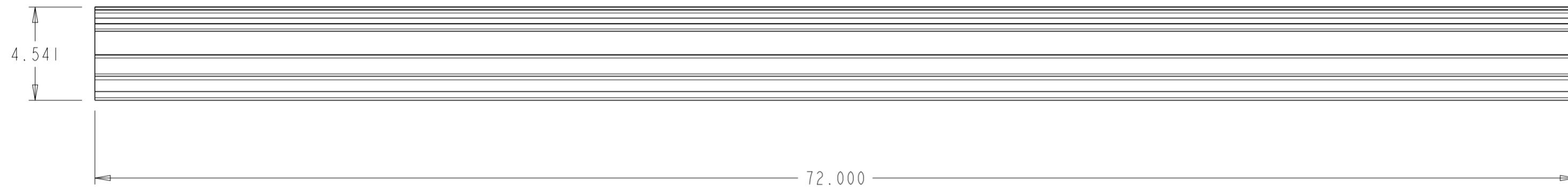
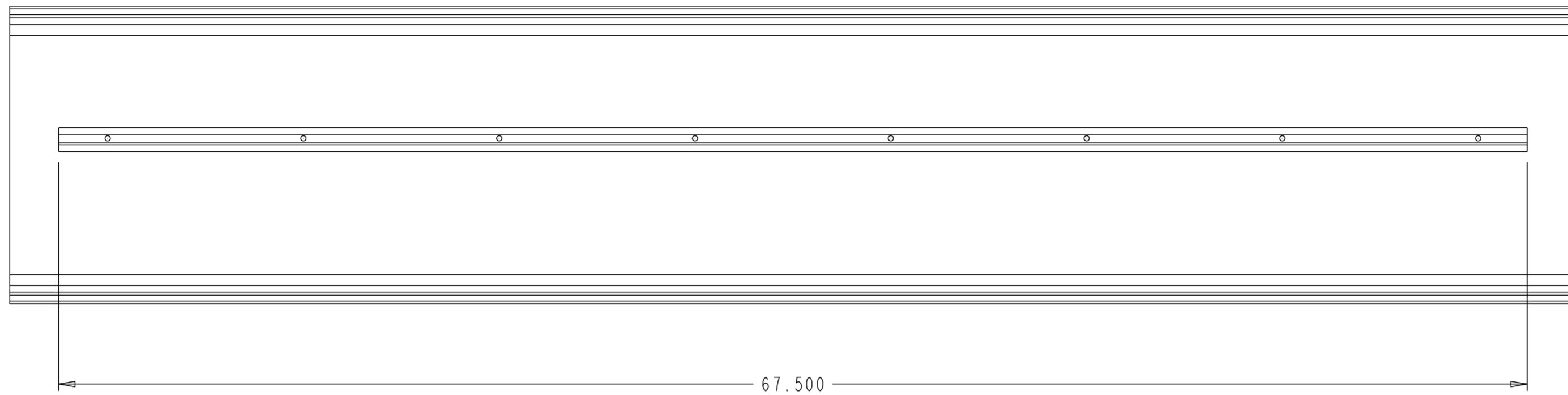
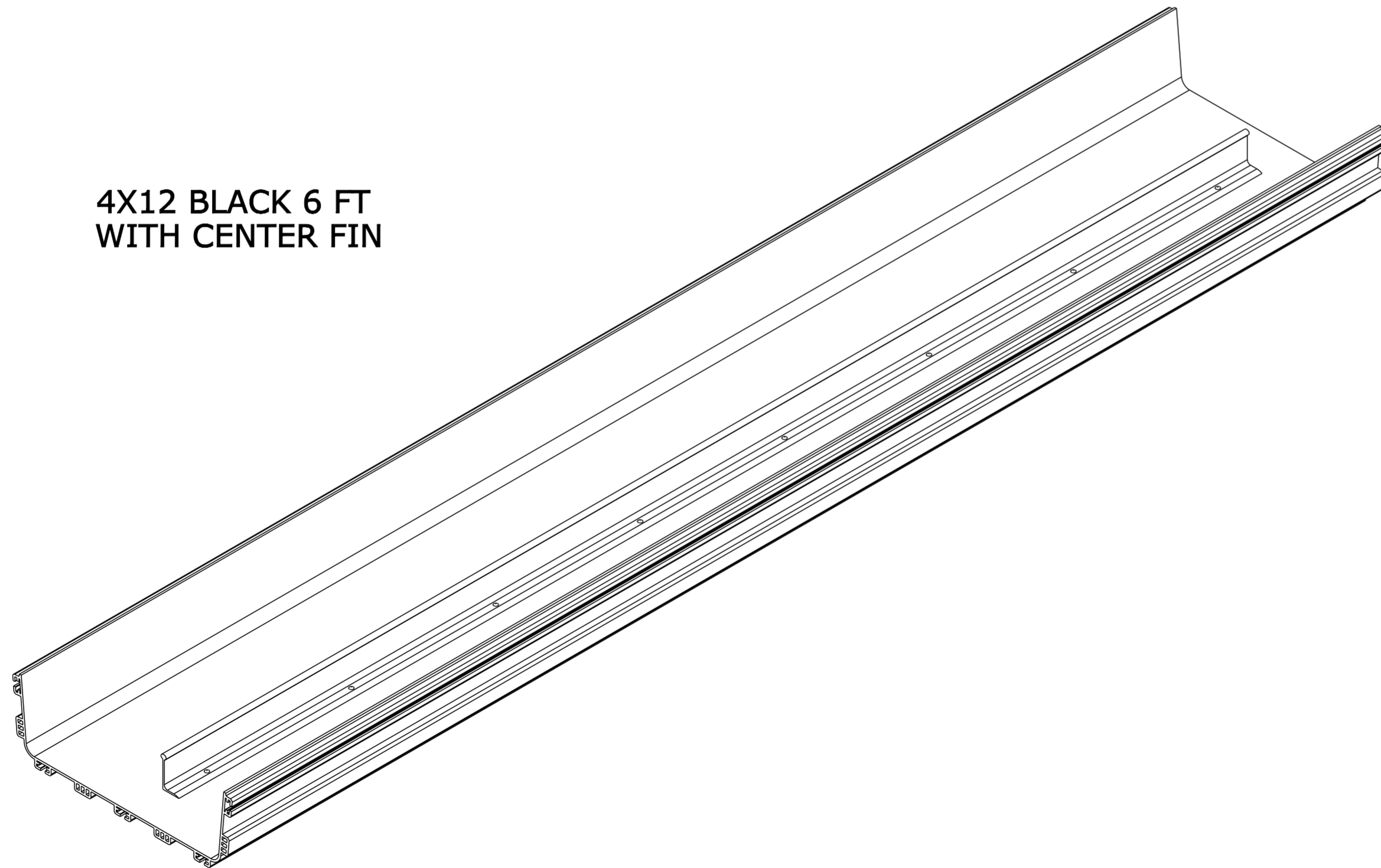


REVISIONS			
REV	CMO	DATE	APPROVED
A	40121475CMO	15-DEC-2020	RAT



**4X12 BLACK 6 FT  
WITH CENTER FIN**



**FGSB-MSHS-F-CF**  
CATALOG NUMBER

<b>COMMSCOPE, INC.</b>			
DRAFTER RUBEN ARVILLA		TITLE 4x12 BLACK 6' W/CENTER FIN, FGS, ASSY DWG	
ENGINEER RUBEN ARVILLA		SIZE A2	SCALE 0.077
		DOCUMENT NO. <b>660105066</b>	
CUSTOMER DRAWING			REVISION A
			SHEET 1 OF 1