

# TP-G412-126

---



Universal Tripod Mount, 4-1/2 in OD x 126 in pipe

## Product Classification

<b>Product Type</b>	Tripod mount
<b>Ordering Note</b>	NSTD445 Compliant

## General Specifications

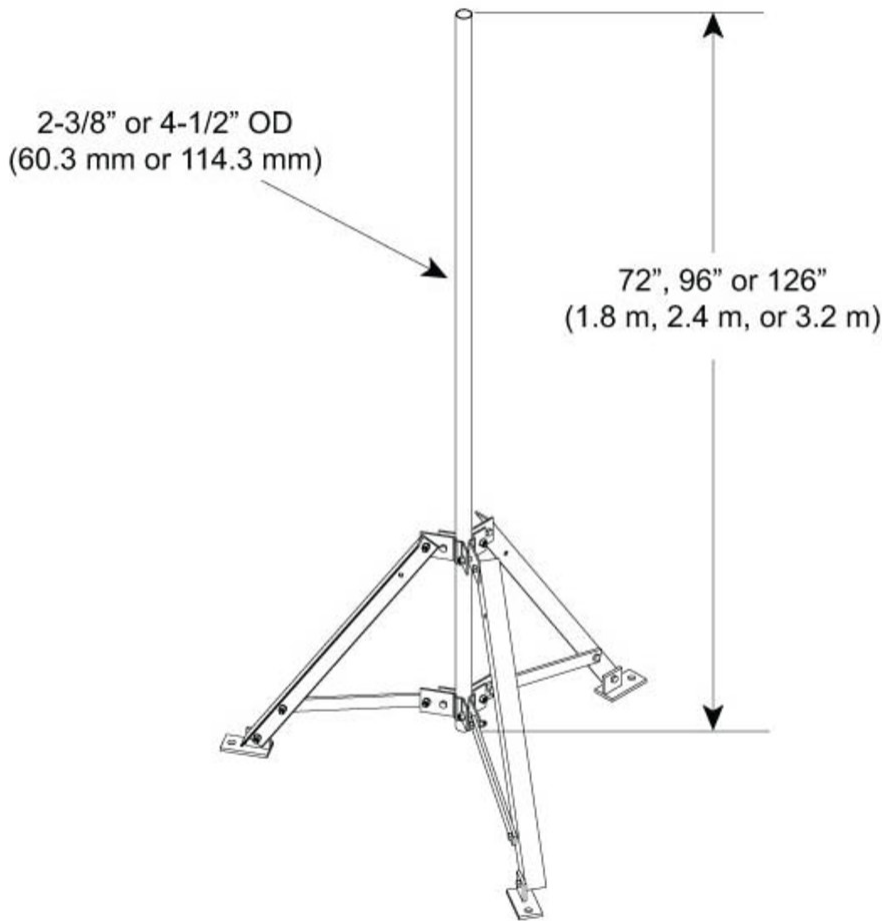
<b>Mounting</b>	Surfaces
<b>Note</b>	One 6 ft microwave antenna using 4-1/2 in pipe mast
<b>Pipe, quantity</b>	1

## Dimensions

<b>Height</b>	3,200.4 mm   126 in
<b>Width</b>	1524 mm   60 in
<b>Length</b>	1.524 m   5 ft
<b>Pipe Length</b>	3,200.4 mm   126 in
<b>Pipe Outer Diameter</b>	114.3 mm   4.5 in

# TP-G412-126

## Outline Drawing



## Material Specifications

**Material Type** Hot dip galvanized steel

## Mechanical Specifications

**Wind Rating** 85 mph (BWS) at 100 ft AGL using Exposure C per UBC

**Wind Rating Test Method** TIA/EIA-222

## Packaging and Weights

**Included** Mount, with or without pipe

**Packaging quantity** 1

# TP-G412-126

---

**Weight, net** 130.1 kg | 286.821 lb

## Regulatory Compliance/Certifications

<b>Agency</b>	<b>Classification</b>
ISO 9001:2015	Designed, manufactured and/or distributed under this quality management system

## Included Products

- MT-539 - Plain End Pipe, 4-1/2 in OD x 126 in x .188" A500C 46Ksi
- TP-G412-B - Universal Tripod Mount, base only, pipe not included

## \* Footnotes

**Wind Rating** BWS—Base Wind Speed; FBC—Florida Building Code

# MT-539

---



Plain End Pipe, 4-1/2 in OD x 126 in x .188" A500C 46Ksi

## Product Classification

**Product Type** Plain end pipe

## General Specifications

**Pipe, quantity** 1

## Dimensions

**Height** 114.3 mm | 4.5 in  
**Width** 114.3 mm | 4.5 in  
**Length** 3,200.4 mm | 126 in  
**Pipe Length** 3,200.4 mm | 126 in  
**Pipe Outer Diameter** 114.3 mm | 4.5 in  
**Material Thickness** 4.775 mm | 0.188 in

## Material Specifications

**Material Type** A500 | Hot dip galvanized steel  
**Material Grade** C  
**Material Strength** 46 KSI

## Packaging and Weights

**Included** Pipe  
**Packaging quantity** 1  
**Weight, net** 41 kg | 90.389 lb

## Regulatory Compliance/Certifications

Agency	Classification
CHINA-ROHS	Above maximum concentration value
ISO 9001:2015	Designed, manufactured and/or distributed under this quality management system

# MT-539

---

ROHS Compliant/Exempted

UK-ROHS Compliant/Exempted



# TP-G412-B

---



Universal Tripod Mount, base only, pipe not included

## Product Classification

**Product Type** Tripod mount

## General Specifications

**Mounting** Surfaces

**Note** One 6 ft microwave antenna using 4-1/2 in pipe mast

**Pipe, quantity** 0

## Dimensions

**Height** 838.2 mm | 33 in

**Width** 1524 mm | 60 in

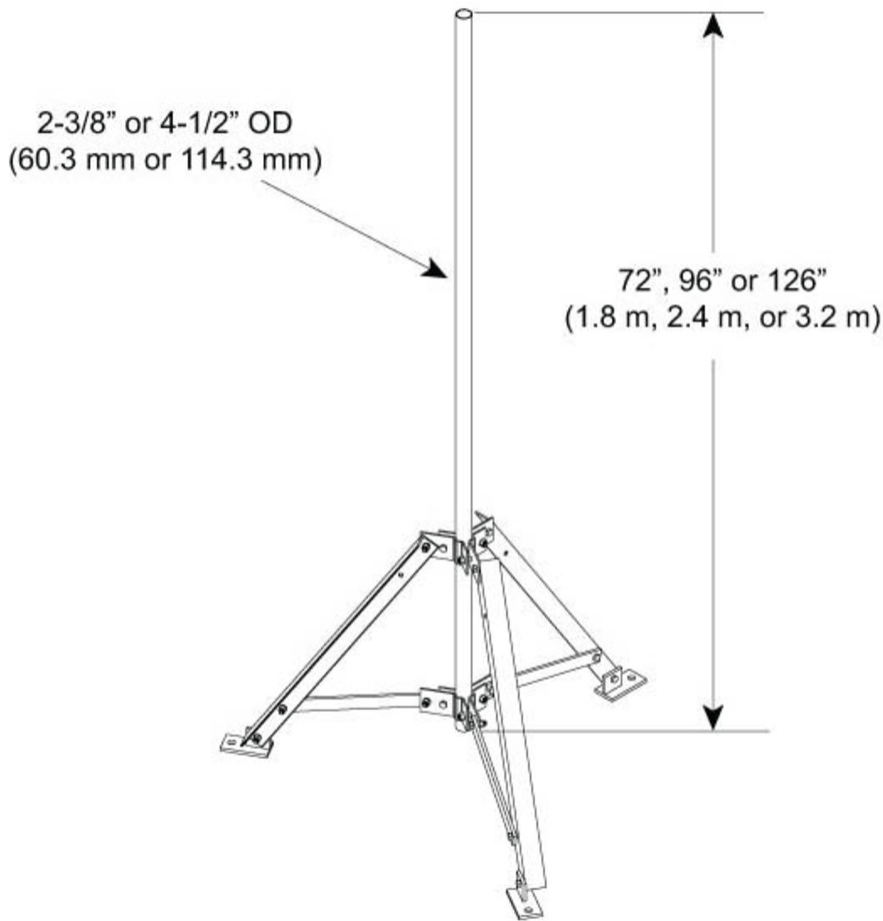
**Length** 1.524 m | 5 ft

**Pipe Length** 0 mm | 0 in

**Pipe Outer Diameter** 114.3 mm | 4.5 in

# TP-G412-B

## Outline Drawing



## Material Specifications

**Material Type** Hot dip galvanized steel

## Mechanical Specifications

**Wind Rating** 85 mph (BWS) at 100 ft AGL using Exposure C per UBC

**Wind Rating Test Method** TIA/EIA-222

## Packaging and Weights

**Included** Mount, with or without pipe

**Packaging quantity** 1

# TP-G412-B

---

**Weight, net** 78.7 kg | 173.504 lb

## Regulatory Compliance/Certifications

<b>Agency</b>	<b>Classification</b>
ISO 9001:2015	Designed, manufactured and/or distributed under this quality management system

## \* Footnotes

**Wind Rating** BWS—Base Wind Speed; FBC—Florida Building Code