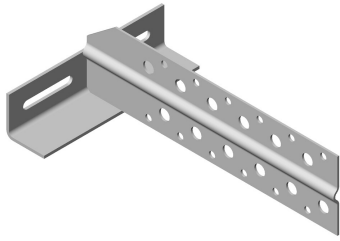


TL-S09



Waveguide Stand-Off Bracket for 9 coaxial cable runs

Product Classification

Product Type Waveguide stand-off bracket

General Specifications

Cable Runs, quantity 9

Mounting Leg gussets | Tower legs up to 114.3 mm (4-1/2 in) OD | Wall applications

Dimensions

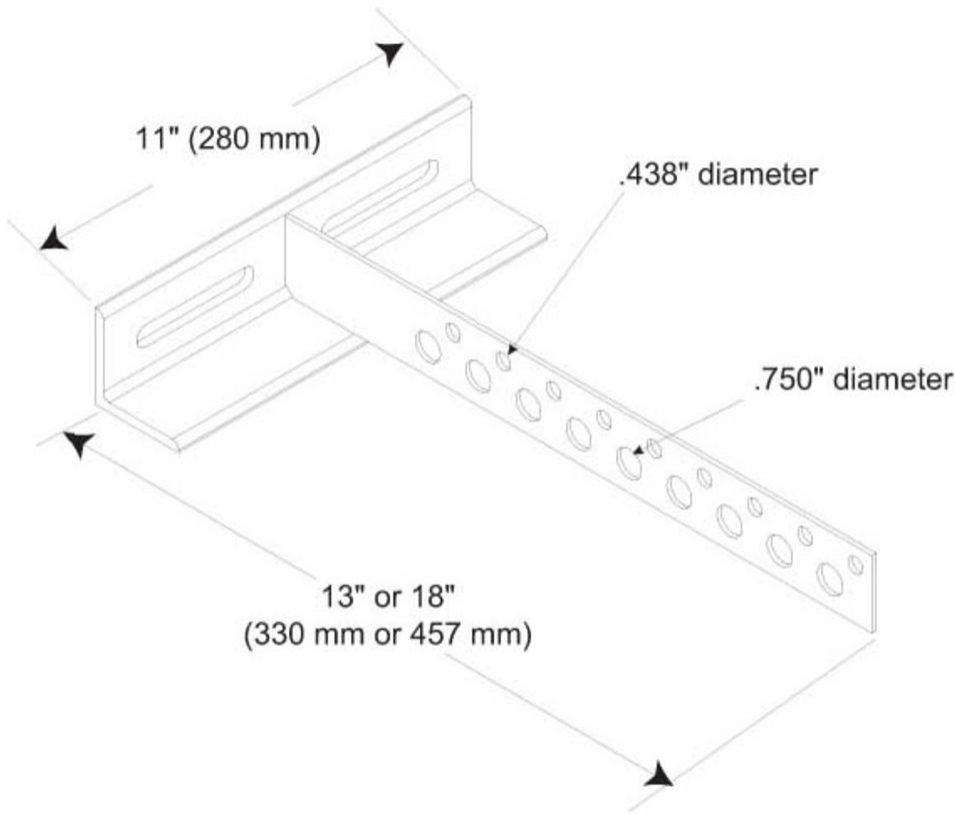
Height 101.6 mm | 4 in

Width 457.2 mm | 18 in

Length 279.4 mm | 11 in

TL-S09

Outline Drawing



Material Specifications

Material Type Hot dip galvanized steel

Packaging and Weights

Included Brackets
Packaging quantity 1
Weight, net 2 kg | 4.409 lb

Regulatory Compliance/Certifications

Agency	Classification
CHINA-ROHS	Below maximum concentration value
ISO 9001:2015	Designed, manufactured and/or distributed under this quality management system

TL-S09

REACH-SVHC

Compliant as per SVHC revision on www.commscope.com/ProductCompliance

ROHS

Compliant

