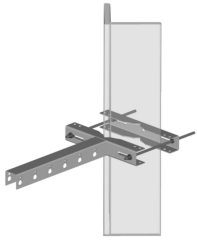


SS-TB6080



Star Support Tee Bracket for 4 in to 10-3/4 in OD round members and 4 in to 8 in angle members

Product Classification

Product Type Star Support Bracket

General Specifications

Cable Runs, quantity 12

Hole, quantity 12

Mounting Angle members, 101.6–203.2 mm (4–8 in) | Round member, 101.6–273.05 mm (4 in to 10-3/4 in) OD

Dimensions

Height 101.6 mm | 4 in

Width 304.8 mm | 12 in

Length 254 mm | 10 in

Mounting Diameter 2, maximum 203.2 mm | 8 in

Mounting Diameter 2, minimum 101.6 mm | 4 in

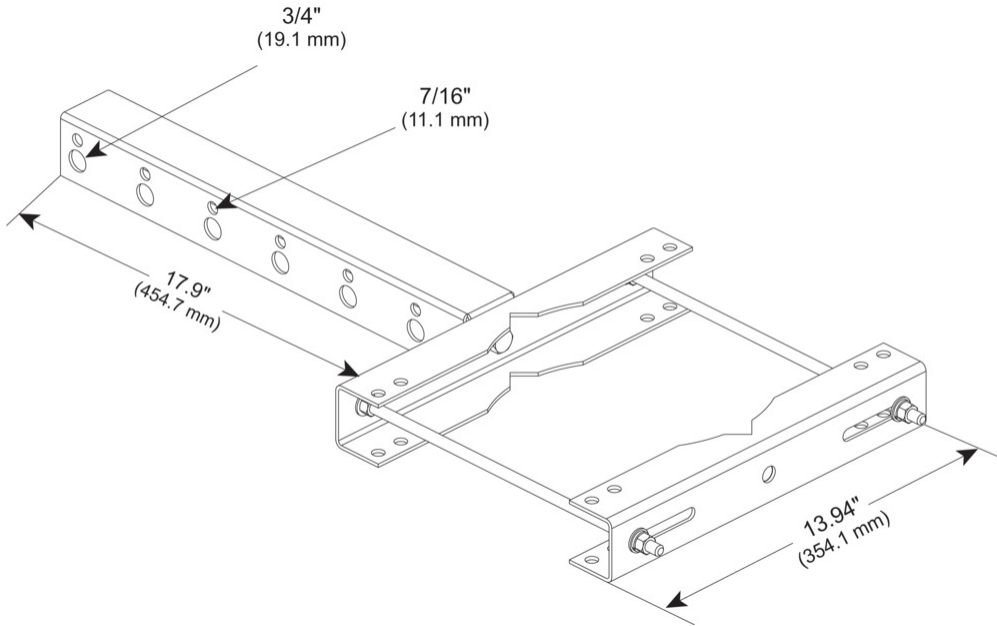
Mounting Diameter, maximum 274.32 mm | 10.8 in

Mounting Diameter, minimum 101.6 mm | 4 in

Hole Size 3/4 in | 7/16 in

SS-TB6080

Outline Drawing



Material Specifications

Material Type Hot dip galvanized steel

Packaging and Weights

Included Brackets
Packaging quantity 1
Weight, net 4.5 kg | 9.921 lb

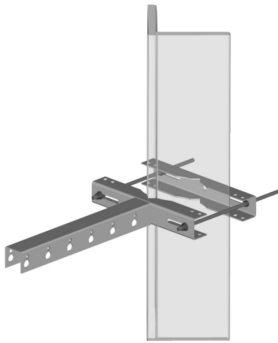
Regulatory Compliance/Certifications

| Agency | Classification |
|---------------|--|
| ISO 9001:2015 | Designed, manufactured and/or distributed under this quality management system |
| ROHS | Compliant/Exempted |
| UK-ROHS | Compliant/Exempted |

Included Products

SS-TB – Star Support Tee Bracket

SS-TB



Star Support Tee Bracket

Product Classification

Product Type Support bracket

General Specifications

Hole, quantity 12

Mounting Round and angle legs

Dimensions

Height 101.6 mm | 4 in

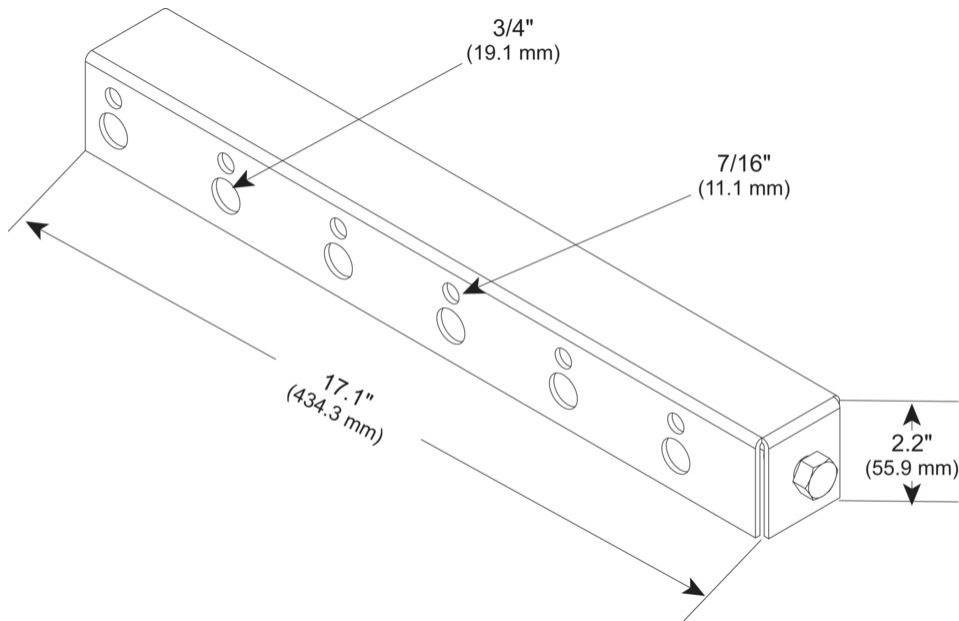
Width 304.8 mm | 12 in

Length 254 mm | 10 in

Hole Size 3/4 in | 7/16 in

SS-TB

Outline Drawing



Material Specifications

Material Type Hot dip galvanized steel

Packaging and Weights

Included Brackets

Packaging quantity 1

Weight, net 1.4 kg | 3.086 lb