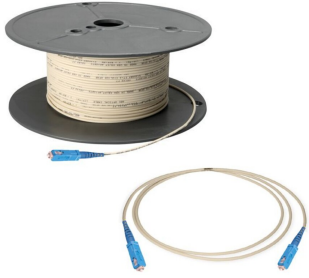


# MDC-NN1G

---



RealFlex® 3 Fiber Optic Drop Cable Assembly, SC/UPC to SC/UPC, Plenum, Ivory

## Product Classification

<b>Regional Availability</b>	Latin America   North America
<b>Portfolio</b>	CommScope®
<b>Product Type</b>	Fiber drop cable assembly
<b>Product Brand</b>	RealFlex®
<b>Product Series</b>	MDC
<b>Ordering Note</b>	For custom cable assembly lengths, please contact your local CommScope representative

## General Specifications

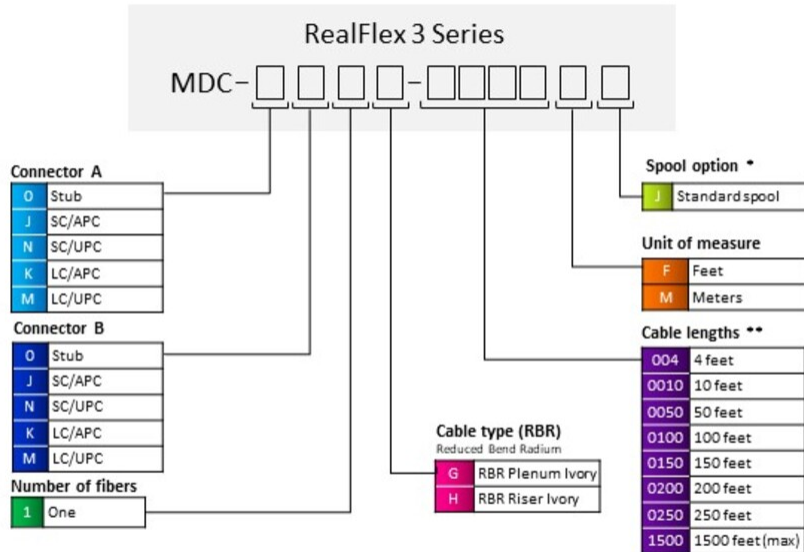
<b>Cable Type</b>	Stapleable - Round
<b>Connector A, quantity</b>	1
<b>Color, boot A</b>	Blue
<b>Color, connector A</b>	Blue
<b>Connector B, quantity</b>	1
<b>Color, boot B</b>	Blue
<b>Color, connector B</b>	Blue
<b>Interface, Connector A</b>	SC/UPC
<b>Interface Feature, connector A</b>	Male
<b>Interface, Connector B</b>	SC/UPC
<b>Interface Feature, connector B</b>	Male
<b>Jacket Color</b>	Ivory
<b>Total Fibers, quantity</b>	1
<b>Transmission Standards</b>	TIA/EIA-568-B.3

# MDC-NN1G

## Dimensions

<b>Cable Assembly Length Range (ft)</b>	1 – 1500
<b>Cable Outer Diameter</b>	3.0 mm (0.12 in)

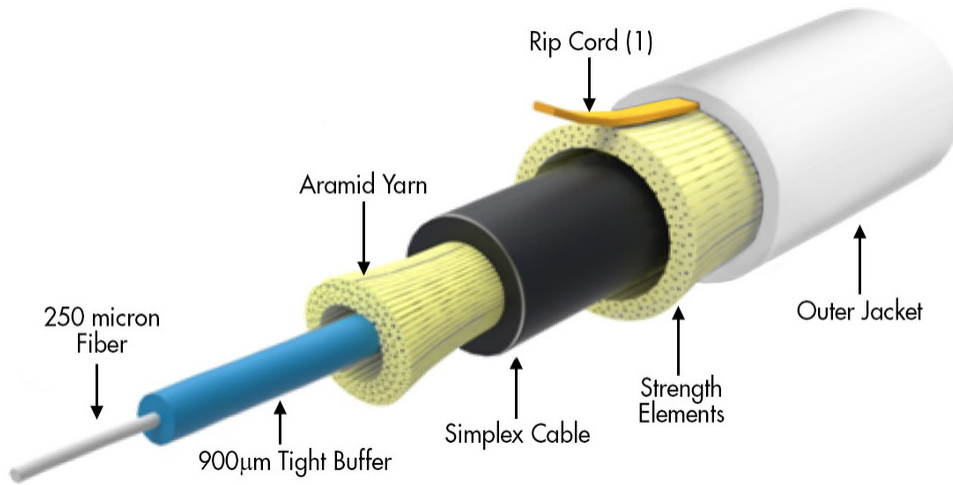
## Ordering Tree



\*Drops are automatically coiled 0-350 ft. Lengths 351+ are automatically spooled. Connector A deploys first. Add option J if spool is required for lengths 350ft or less.  
\*\*Cable length shown as an example; additional cable lengths available upon request up to 1500 ft

## Representative Image

# MDC-NN1G



## Mechanical Specifications

<b>Minimum Bend Radius, loaded</b>	7.62 mm   0.3 in
<b>Minimum Bend Radius, unloaded</b>	29.97 mm   1.18 in

## Optical Specifications

<b>Fiber Mode</b>	Singlemode
<b>Fiber Type</b>	G.657.A2/B2
<b>Insertion Loss, maximum, connector A</b>	0.2 dB
<b>Insertion Loss, maximum, connector B</b>	0.2 dB
<b>Return Loss, minimum, connector A</b>	60 dB
<b>Return Loss, minimum, connector B</b>	60 dB

## Environmental Specifications

<b>Operating Temperature</b>	0 °C to +70 °C (+32 °F to +158 °F)
<b>Environmental Space</b>	Plenum
<b>Qualification Standards</b>	Telcordia GR-449-CORE

## Packaging and Weights

<b>Packaging quantity</b>	1
---------------------------	---

## Regulatory Compliance/Certifications

Agency	Classification
--------	----------------

# MDC-NN1G

---

CHINA-ROHS	Above maximum concentration value
REACH-SVHC	Compliant as per SVHC revision on <a href="http://www.commscope.com/ProductCompliance">www.commscope.com/ProductCompliance</a>
ROHS	Compliant/Exempted
UK-ROHS	Compliant/Exempted

