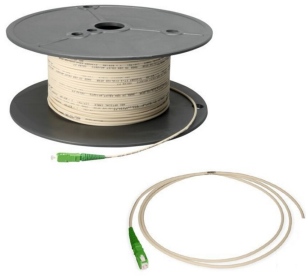


MDC-J01H



RealFlex® 3 Fiber Optic Drop Cable Assembly, SC/APC to stub, RBR Riser, Ivory

Product Classification

| | |
|------------------------------|---|
| Regional Availability | Latin America North America |
| Portfolio | CommScope® |
| Product Type | Fiber drop cable assembly |
| Product Brand | RealFlex® |
| Product Series | MDC |
| Ordering Note | For custom cable assembly lengths, please contact your local CommScope representative |

General Specifications

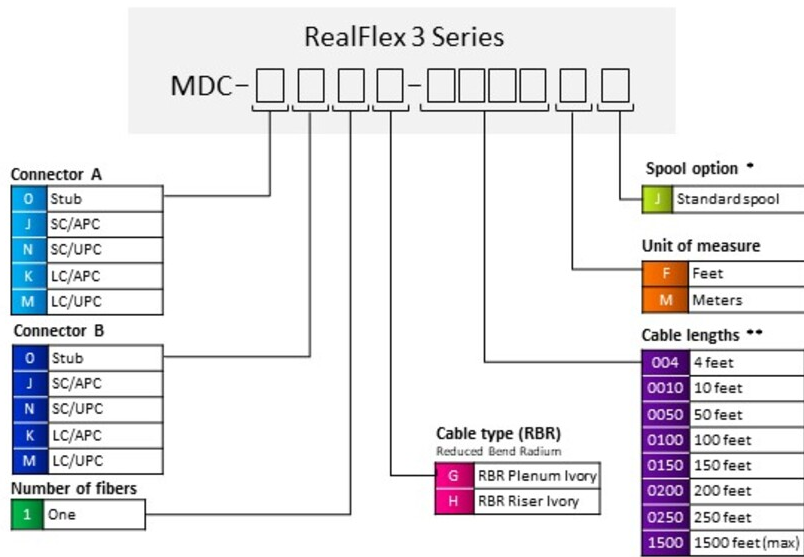
| | |
|---------------------------------------|--------------------|
| Cable Type | Stapleable - Round |
| Connector A, quantity | 1 |
| Color, boot A | Green |
| Color, connector A | Green |
| Interface, Connector A | SC/APC |
| Interface Feature, connector A | Male |
| Interface, Connector B | Unterminated |
| Jacket Color | Ivory |
| Total Fibers, quantity | 1 |
| Transmission Standards | TIA/EIA-568-B.3 |

Dimensions

| | |
|---|------------------|
| Cable Assembly Length Range (ft) | 1 – 1500 |
| Cable Outer Diameter | 2.9 mm (0.11 in) |

Ordering Tree

MDC-J01H



*Drops are automatically coiled 0-350 ft. Lengths 351+ are automatically spooled. Connector A deploys first. Add option J if spool is required for lengths 350ft or less.
 **Cable length shown as an example; additional cable lengths available upon request up to 1500 ft

Mechanical Specifications

| | |
|--|--------------------|
| Minimum Bend Radius, loaded | 50 mm 1.969 in |
| Minimum Bend Radius, unloaded | 30 mm 1.181 in |
| Tensile Load, long term, maximum | 30 N 6.744 lbf |
| Tensile Load, short term, maximum | 100 N 22.481 lbf |

Optical Specifications

| | |
|---|-------------|
| Fiber Mode | Singlemode |
| Fiber Type | G.657.A2/B2 |
| Insertion Loss, maximum, connector A | 0.4 dB |
| Return Loss, minimum, connector A | 65 dB |

Environmental Specifications

| | |
|---------------------------------|--------------------------------------|
| Installation temperature | -20 °C to +60 °C (-4 °F to +140 °F) |
| Operating Temperature | -40 °C to +70 °C (-40 °F to +158 °F) |

MDC-J01H

| | |
|--------------------------------|--------------------------------------|
| Storage Temperature | -40 °C to +75 °C (-40 °F to +167 °F) |
| Environmental Space | Riser |
| Jacket UV Resistance | UV stabilized |
| Qualification Standards | Telcordia GR-449-CORE |

Packaging and Weights

| | |
|---------------------------|---|
| Packaging quantity | 1 |
|---------------------------|---|

Regulatory Compliance/Certifications

| Agency | Classification |
|---------------|--|
| CHINA-ROHS | Above maximum concentration value |
| REACH-SVHC | Compliant as per SVHC revision on www.commscope.com/ProductCompliance |
| ROHS | Compliant/Exempted |
| UK-ROHS | Compliant/Exempted |

