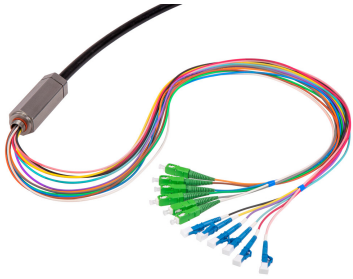


NA-H400-2AS



Fiber Optic Node Service Cable Assembly, 6 SC/APC & 6 LC/UPC Connectors with 48in Breakout to Stub, 12F Dielectric Cable

- Node Service Cable Assemblies are factory-terminated for use in node installations
- Environmentally sealed and tested
- Designed for fast installation between splicing in a closure transitioning to a node

OBSOLETE

This product was discontinued on: August 17, 2023

Product Classification

Regional Availability	Asia Australia/New Zealand EMEA Europe Latin America North America
Product Type	Fiber node service cable assembly

General Specifications

Breakout Direction	Straight
Breakout Option	Feed-through housing connector
Cable Color	Black
Cable Type	Dielectric - Round - Loose Tube
Color, LC/UPC boot	White
Color, LC/UPC connector	Blue
Construction Type	Breakout, armored
Interface, Connectors side A	SC/APC + LC/UPC
Interface, Connectors side B	Unterminated
Color, SC/APC boot	Green
Color, SC/APC connector	Green
Quantity, LC/UPC connectors	6
Quantity, SC/APC connectors	6
Total Fibers, quantity	12

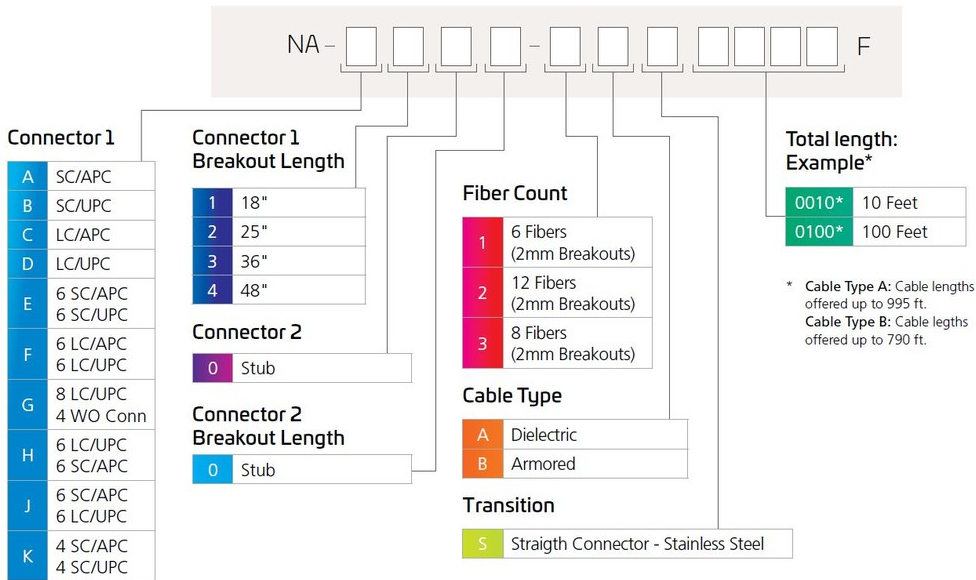
Dimensions

Breakout Length, connector A	1,219.2 mm 48 in
-------------------------------------	--------------------

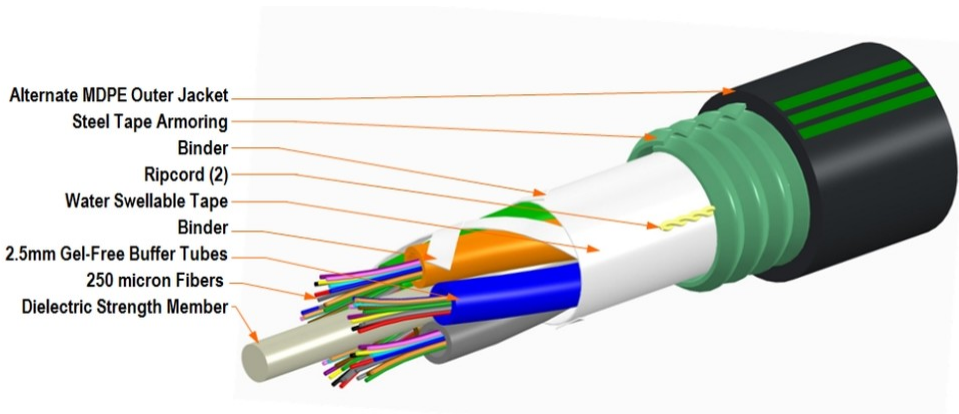
NA-H400-2AS

Cable Assembly Length Range (m)	1 – 300
Cable Assembly Length Range (ft)	1 – 995
Cable Outer Diameter	11.5 mm (0.45 in)

Ordering Tree



Representative Image



Material Specifications

Jacket Material PE

Mechanical Specifications

NA-H400-2AS

Minimum Bend Radius, loaded	439 mm 17.283 in
Minimum Bend Radius, unloaded	115 mm 4.528 in
Tensile Load, long term, maximum	800 N 179.847 lbf
Tensile Load, short term, maximum	2700 N 606.984 lbf
Cable Crush Resistance, maximum	44 N/mm 251.246 lb/in

Optical Specifications

Fiber Mode	Singlemode
Fiber Type	G.652.D and G.657.A1
Insertion Loss, maximum, LC/UPC connectors	0.4 dB
Insertion Loss, maximum, SC/APC connectors	0.4 dB
Return Loss, minimum, LC/UPC connectors	55 dB
Return Loss, minimum, SC/APC connectors	65 dB

Environmental Specifications

Installation temperature	-30 °C to +70 °C (-22 °F to +158 °F)
Operating Temperature	-40 °C to +70 °C (-40 °F to +158 °F)
Storage Temperature	-40 °C to +75 °C (-40 °F to +167 °F)
Environmental Space	Outdoor, buried
Jacket UV Resistance	UV stabilized
Qualification Standards	Telcordia GR-326

Packaging and Weights

Cable weight	110 kg/km 73.917 lb/kft
Packaging quantity	1

Regulatory Compliance/Certifications

Agency	Classification
CHINA-ROHS	Below maximum concentration value
ISO 9001:2015	Designed, manufactured and/or distributed under this quality management system
REACH-SVHC	Compliant as per SVHC revision on www.commscope.com/ProductCompliance
ROHS	Compliant
UK-ROHS	Compliant

NA-H400-2AS

