

# MHD-MFDH



Hardened Multifiber Optical Connector (HMFOC) cable assembly, HMFOC jack to HMFOC plug, 12-fiber

- Hardened connectors are factory-terminated and environmentally sealed for use in optical drop cable deployments
- Hardened drop cables incorporate hardened connector technology that is designed to withstand the rugged outside plant environment
- Hardened drop cables simplify installation and maintenance by reducing splicing requirements in the distribution portion of the network

## Product Classification

|                              |                                      |
|------------------------------|--------------------------------------|
| <b>Regional Availability</b> | Asia   Latin America   North America |
| <b>Portfolio</b>             | CommScope®                           |
| <b>Product Type</b>          | Fiber drop cable assembly            |
| <b>Product Series</b>        | MHD                                  |

## General Specifications

|                                       |                                   |
|---------------------------------------|-----------------------------------|
| <b>Cable Type</b>                     | Toneable - Flat                   |
| <b>Connector A, quantity</b>          | 1                                 |
| <b>Color, boot A</b>                  | Black                             |
| <b>Color, connector A</b>             | Black                             |
| <b>Connector B, quantity</b>          | 1                                 |
| <b>Color, boot B</b>                  | Black                             |
| <b>Color, connector B</b>             | Black                             |
| <b>Interface, Connector A</b>         | Hardened multi-fiber (HMFOC) jack |
| <b>Interface Feature, connector A</b> | Male   Pinned                     |
| <b>Interface, Connector B</b>         | Hardened multi-fiber (HMFOC) plug |
| <b>Interface Feature, connector B</b> | Female   Unpinned                 |
| <b>Jacket Color</b>                   | Black                             |
| <b>Total Fibers, quantity</b>         | 12                                |

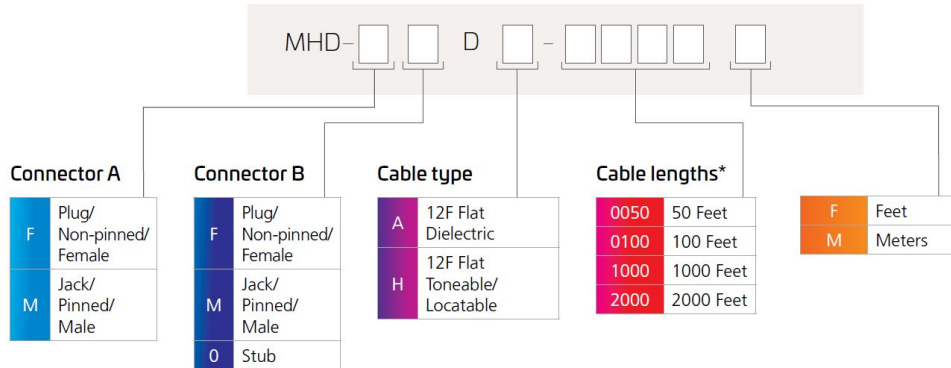
## Dimensions

|   |           |
|---|-----------|
| <b>Cable Assembly Length Range (m)</b>  | 1 – 750   |
| <b>Cable Assembly Length Range (ft)</b> | 50 – 2000 |

# MHD-MFDH

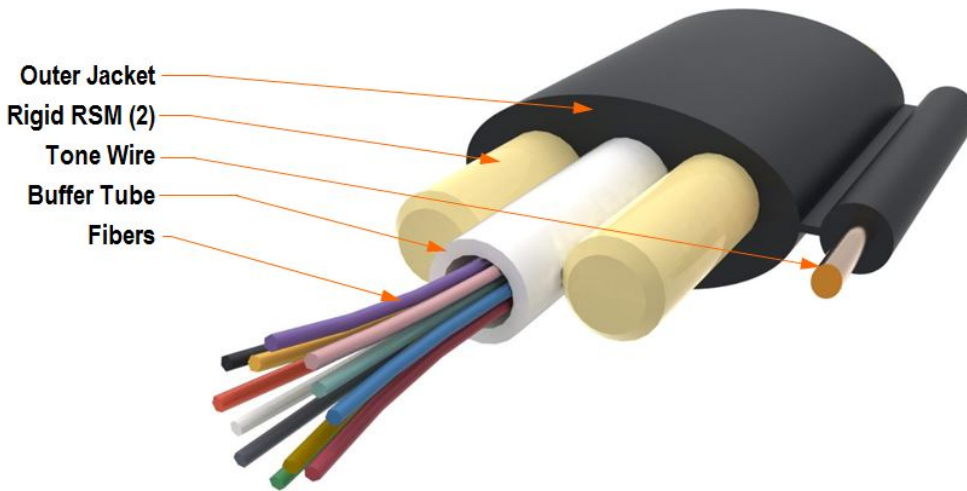
**Cable Outer Diameter** 4.3 x 9.9 mm (0.17 x 0.39 in)

## Ordering Tree



\* Cable Length shown as an example, additional cable lengths available upon request up to 2,000 ft. (600 m).

## Representative Image



## Mechanical Specifications

|  |                      |
|--|----------------------|
| <b>Minimum Bend Radius, loaded</b>       | 86 mm   3.386 in     |
| <b>Minimum Bend Radius, unloaded</b>     | 81 mm   3.189 in     |
| <b>Tensile Load, long term, maximum</b>  | 400 N   89.924 lbf   |
| <b>Tensile Load, short term, maximum</b> | 1334 N   299.895 lbf |

## Optical Specifications

# MHD-MFDH

---

|   |                      |
|---|----------------------|
| <b>Fiber Mode</b>                           | Singlemode           |
| <b>Fiber Type</b>                           | G.657.A2, TeraSPEED® |
| <b>Insertion Loss, maximum, connector A</b> | 0.45 dB              |
| <b>Insertion Loss, maximum, connector B</b> | 0.45 dB              |
| <b>Return Loss, minimum, connector A</b>    | 65 dB                |
| <b>Return Loss, minimum, connector B</b>    | 65 dB                |

## Environmental Specifications

|                                 |                                      |
|---------------------------------|--------------------------------------|
| <b>Installation temperature</b> | -30 °C to +70 °C (-22 °F to +158 °F) |
| <b>Operating Temperature</b>    | -40 °C to +70 °C (-40 °F to +158 °F) |
| <b>Storage Temperature</b>      | -40 °C to +75 °C (-40 °F to +167 °F) |
| <b>Environmental Space</b>      | Outdoor, buried                      |
| <b>Jacket UV Resistance</b>     | UV stabilized                        |

## Packaging and Weights

|                           |   |
|---------------------------|---|
| <b>Packaging quantity</b> | 1 |
|---------------------------|---|

## Regulatory Compliance/Certifications

| <b>Agency</b> | <b>Classification</b>  |
|---------------|--|
| CHINA-ROHS    | Below maximum concentration value  |
| REACH-SVHC    | Compliant as per SVHC revision on <a href="http://www.commscope.com/ProductCompliance">www.commscope.com/ProductCompliance</a> |
| ROHS          | Compliant  |
| UK-ROHS       | Compliant/Exempted   |



## Included Products

|  |   |   |
|--|---|---|
| 810009374/DB<br>O-012-DF-HY-F12NS/30T<br>/8G1012/1X24AWG | – | Tone Wire Outdoor Drop Cable, 12 fiber Arid Core construction, central loose tube |
|--|---|---|