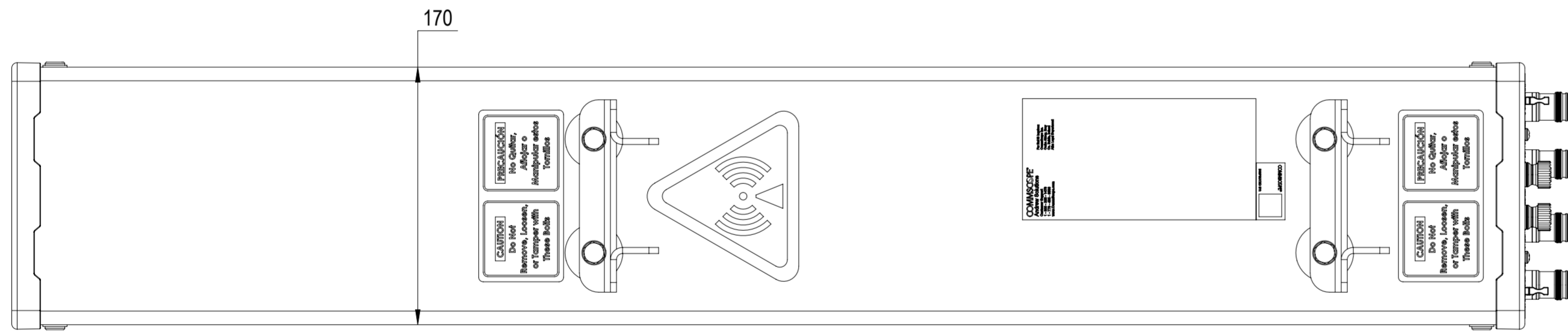
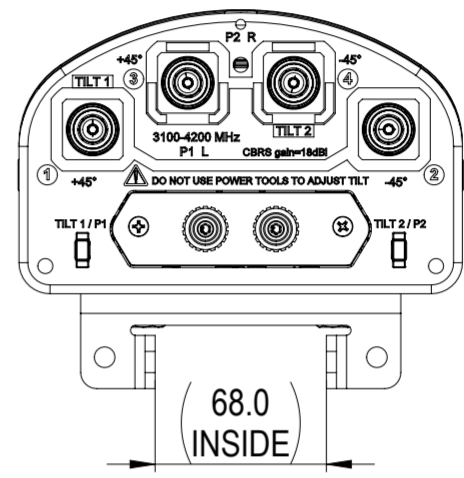
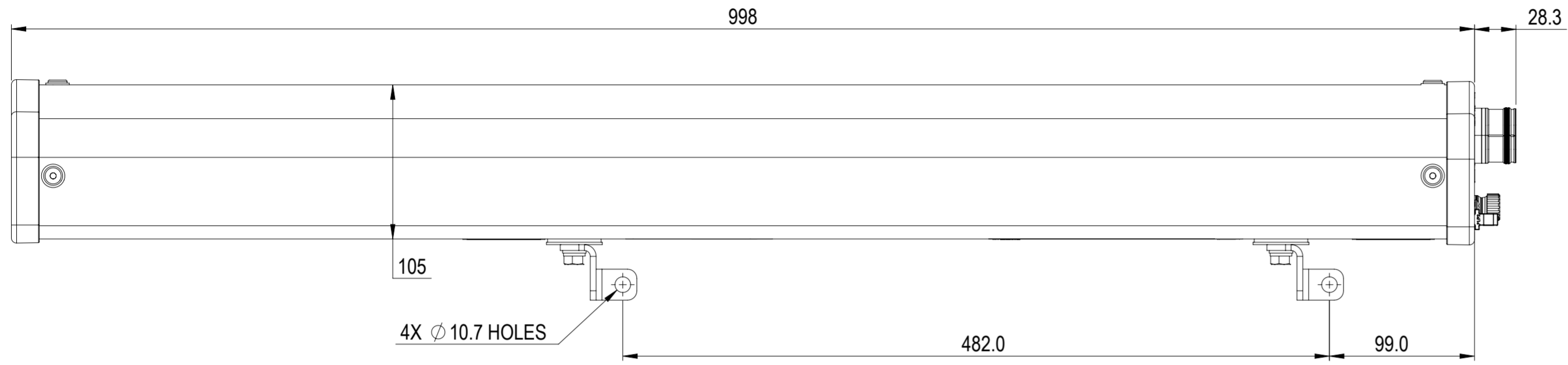


REVISIONS			
REV.	DESCRIPTION	DATE	APPROVED
A	ECR 8000041989: REL TO PRODUCTION PER EAO 608283.	29OCT20 ZY	ABI/CW



SS-65M-M

COMMSCOPE, INC. OF NORTH CAROLINA

TOLERANCES		SAP MATERIAL MASTER	
0 PLACE	X ±	2 PLACE	.XX ±
1 PLACE	.X ±	ANGLES	±

FINISH	MATERIAL
--------	----------

REV.	NAME	DATE	TITLE
CE	YZHA1	29OCT20	PRODUCT DRAWING
RW	YZHA1	11/06/2020	
RV	BA1025	11/09/2020	
AD	CWANG12	11/09/2020	
RE	XK1001	11/09/2020	

SCALE: 1:3      DOCUMENT NO. SS-65M-M-L

DENSITY	g/mm <sup>3</sup>
MASS	grams
VOLUME	mm <sup>3</sup>
SURFACE AREA	mm <sup>2</sup>
HEIGHT	
LENGTH	
WIDTH	

SIZE	WORK AREA	23	MODEL			DRAWING			SHEET
A2			VERSION	STATUS	REVISION	VERSION	STATUS	REVISION	1 OF 1
			00	RE	A	00	RE	A	