

Fiber indoor/outdoor cable, LightScope ZWP®, dry loose tube, 4 fiber, Singlemode G.652.D and G.657.A1, Gel-free, Yellow jacket color, Dca flame rating. Provides Rodent Resistance

## OBSOLETE

This product was discontinued on: March 31, 2023

## Product Classification

<b>Regional Availability</b>	Asia   Australia/New Zealand   EMEA
<b>Portfolio</b>	CommScope®
<b>Product Type</b>	Fiber indoor/outdoor cable
<b>Product Series</b>	C-CN

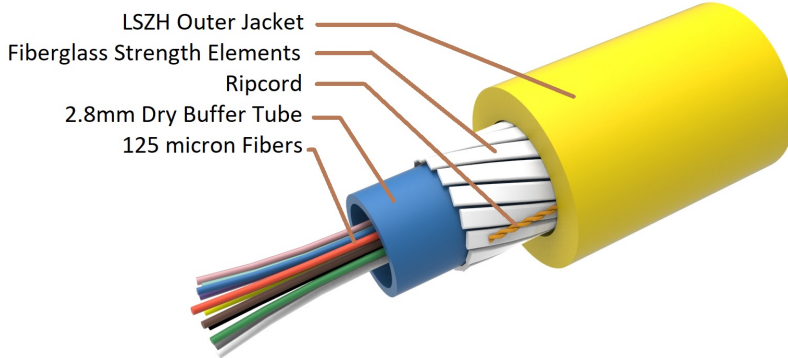
## General Specifications

<b>Cable Type</b>	Loose tube
<b>Subunit Type</b>	Gel-free
<b>Jacket Color</b>	Yellow
<b>Jacket Marking</b>	Meters
<b>Fibers per Subunit, quantity</b>	4
<b>Total Fiber Count</b>	4

## Dimensions

<b>Cable Length</b>	4000 m   13,123.36 ft
<b>Diameter Over Jacket</b>	6.4 mm   0.252 in

## Representative Image



## Mechanical Specifications

<b>Minimum Bend Radius, loaded</b>	139.7 mm   5.5 in
<b>Minimum Bend Radius, unloaded</b>	129.5 mm   5.098 in
<b>Tensile Load, long term, maximum</b>	650 N   146.126 lbf
<b>Tensile Load, short term, maximum</b>	1250 N   281.011 lbf

## Optical Specifications

**Fiber Type** G.652.D and G.657.A1, TeraSPEED® | OS2

## Optical Specifications, Wavelength Specific

**Attenuation, maximum** 0.35 dB/km @ 1,300 nm | 0.35 dB/km @ 1,550 nm | 0.45 dB/km @ 1,310 nm

**Standards Compliance** IEC 60794-1 | TIA-492CAAB (OS2)

## Environmental Specifications

**Operating Temperature** -10 °C to +70 °C (+14 °F to +158 °F)

**Storage Temperature** -10 °C to +70 °C (+14 °F to +158 °F)

**EN50575 CPR Cable EuroClass Fire Performance** Dca

**EN50575 CPR Cable EuroClass Smoke Rating** s2

**EN50575 CPR Cable EuroClass Droplets Rating** d2

**EN50575 CPR Cable EuroClass Acidity Rating**

a1

**Environmental Space**

Universal Low Smoke Zero Halogen (ULSZH)

## Packaging and Weights

**Cable weight**

47 kg/km | 31.583 lb/kft

## Included Products

DB-8W-LT – LightScope ZWP® Singlemode  
Fiber

## \* Footnotes

**Operating Temperature** Specification applicable to non-terminated bulk fiber cable