

PT-R102



Power Telecommunications Rack, two 80 in rungs, 13 ft 4 in burial posts

Product Classification

Product Type Telecommunications rack

General Specifications

Pipe, quantity 2

Dimensions

Height 127 mm | 5 in

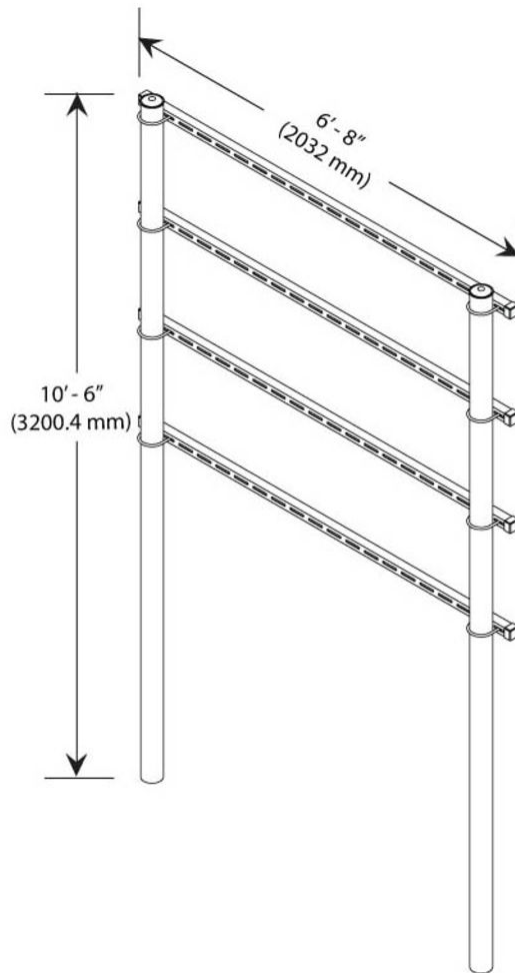
Width 2032 mm | 80 in

Length 4064 mm | 160 in

Pipe Length 4064 mm | 160 in

PT-R102

Outline Drawing



Material Specifications

Material Type Hot dip galvanized steel

Packaging and Weights

Included Hardware | Legs | Unistrut

Packaging quantity 1

Weight, net 62 kg | 136.686 lb

Regulatory Compliance/Certifications

Agency	Classification
--------	----------------

PT-R102

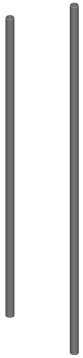
CHINA-ROHS	Above maximum concentration value
ISO 9001:2015	Designed, manufactured and/or distributed under this quality management system
ROHS	Compliant/Exempted
UK-ROHS	Compliant/Exempted



Included Products

- MF-130 – Direct Burial Pipe Column, 13 ft 4 in

MF-130



Direct Burial Pipe Column, 13 ft 4 in

Product Classification

Product Type Pipe column

General Specifications

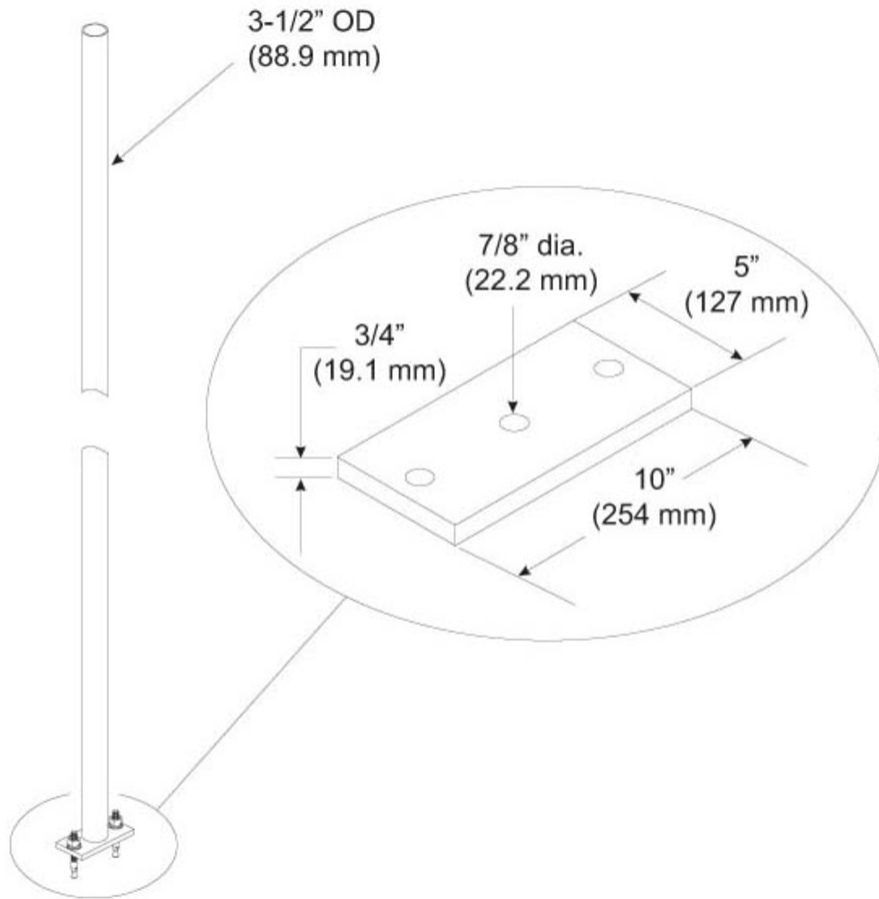
Application Direct burial
Mounting Waveguide bridge support bracket
Pipe, quantity 1

Dimensions

Height 4064 mm | 160 in
Width 88.9 mm | 3.5 in
Length 88.9 mm | 3.5 in
Pipe Length 4,053.84 mm | 159.6 in
Pipe Outer Diameter 88.9 mm | 3.5 in

MF-130

Outline Drawing



Material Specifications

Material Type Hot dip galvanized steel

Packaging and Weights

Included Anchors | Pipe

Packaging quantity 1

Weight, net 45.8 kg | 100.972 lb

Regulatory Compliance/Certifications

Agency **Classification**

MF-130

CHINA-ROHS	Above maximum concentration value
ISO 9001:2015	Designed, manufactured and/or distributed under this quality management system
ROHS	Compliant/Exempted
UK-ROHS	Compliant/Exempted

