

# PAM

---



Universal Pipe-to-Angle Mount Kit for mounting 2.5in to 3.5in OD pipe to 90 degree angles 2.5in to 4in. HW incl for 2-3/8in pipe. (Pipe not incl)

## Product Classification

**Product Type** Mounting kit

## General Specifications

**Pipe, quantity** 0

## Dimensions

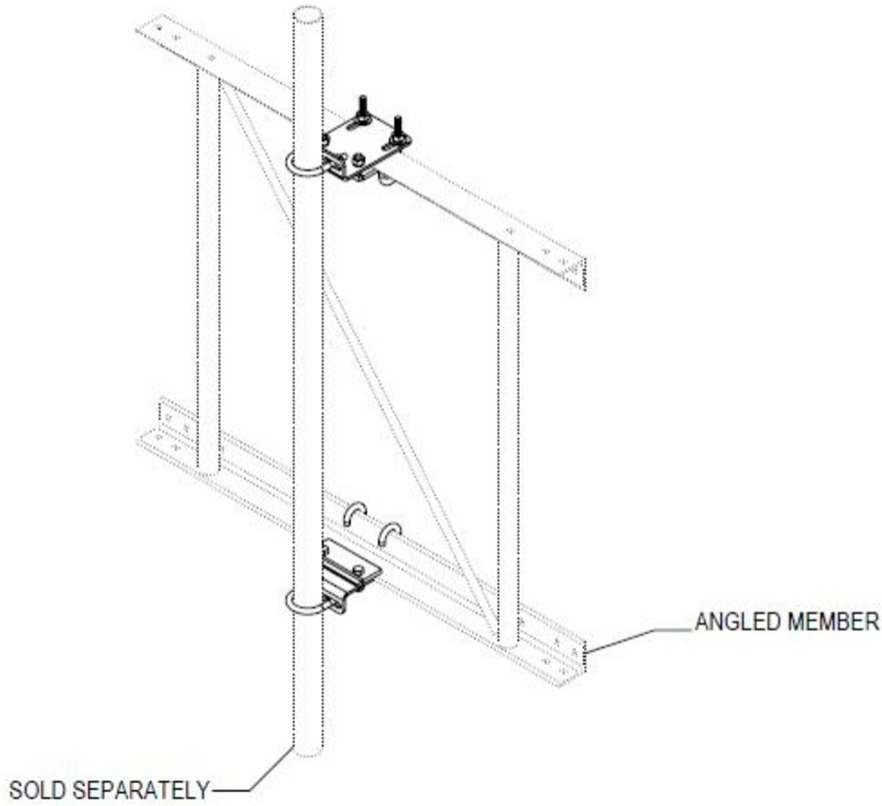
**Mounting Diameter, maximum** 101.6 mm | 4 in

**Mounting Diameter, minimum** 63.5 mm | 2.5 in

## Outline Drawing

# PAM

---



## Material Specifications

**Material Type** Hot dip galvanized steel

## Packaging and Weights

**Included** Angle brackets | Attachment hardware

**Packaging quantity** 2

**Weight, net** 6.2 kg | 13.669 lb

## Regulatory Compliance/Certifications

Agency	Classification
CHINA-ROHS	Above maximum concentration value
ISO 9001:2015	Designed, manufactured and/or distributed under this quality management system
ROHS	Compliant/Exempted
UK-ROHS	Compliant/Exempted

