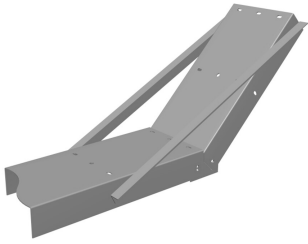


# MT-F1704

---



Extension Kit for Bridge Kit for eight coaxial cable runs

## Product Classification

**Product Type** Bridge kit

## General Specifications

**Cable Runs, quantity** 8

**Mounting** Rooftop bridge kits

## Dimensions

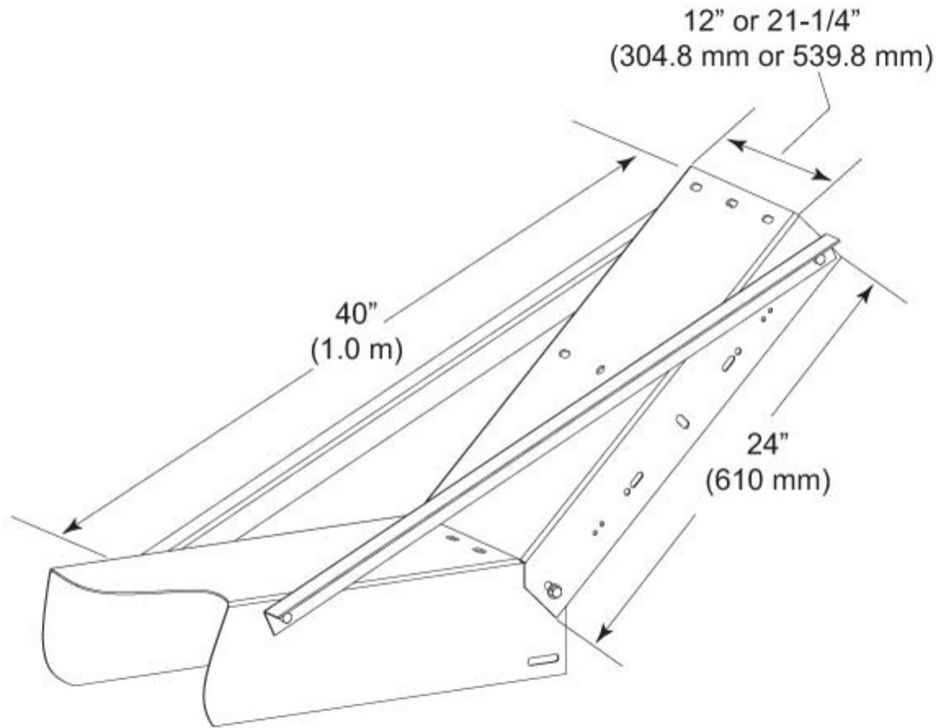
**Height** 508 mm | 20 in

**Width** 609.6 mm | 24 in

**Length** 1016 mm | 40 in

# MT-F1704

## Outline Drawing



## Material Specifications

**Material Type** Galvanized steel

## Mechanical Specifications

**Wind Rating** For Specifications, please contact your local ANDREW representative

## Packaging and Weights

**Included** Extension | Hardware

**Packaging quantity** 1

**Weight, net** 17.7 kg | 39.022 lb

## Regulatory Compliance/Certifications

### Agency

ISO 9001:2015

### Classification

Designed, manufactured and/or distributed under this quality management system

# MT-F1704

---

\* Footnotes

**Wind Rating**

BWS—Base Wind Speed; FBC—Florida Building Code

