

IC-1012-S



Ice Canopy, 10 ft x 12 ft, four 10 ft 6 in base shoe pipes

Product Classification

Product Type Ice canopies and shields

General Specifications

Pipe, quantity 4

Dimensions

Height 3,200.4 mm | 126 in

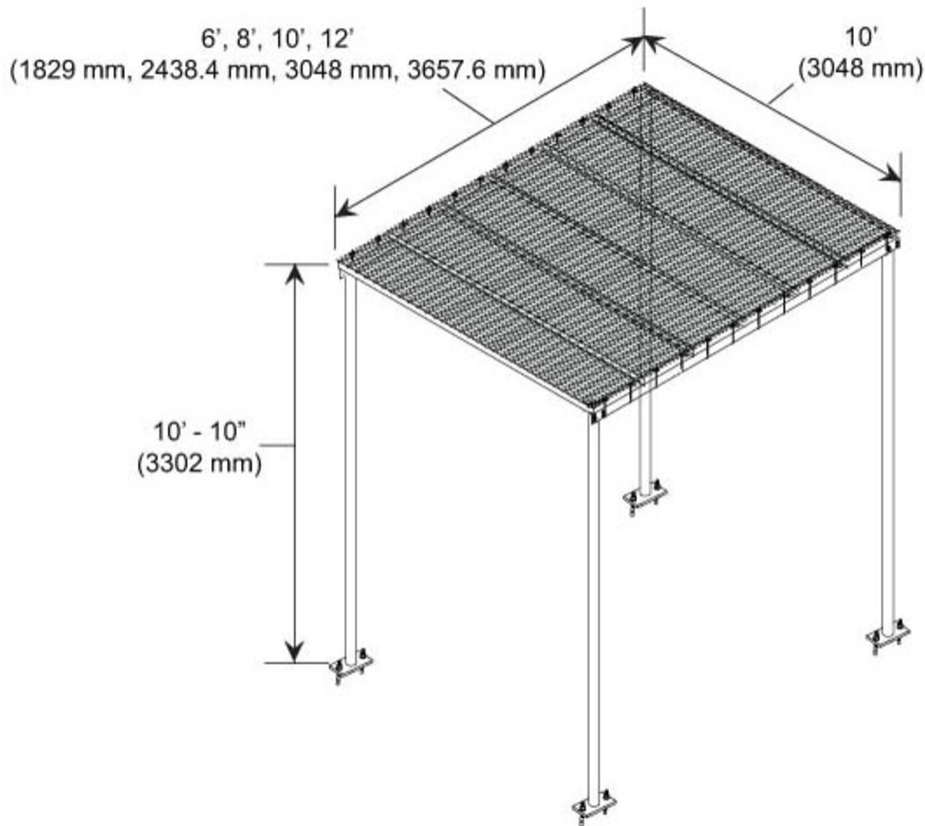
Width 3048 mm | 120 in

Length 3,657.6 mm | 144 in

Pipe Length 3,200.4 mm | 126 in

IC-1012-S

Outline Drawing



Material Specifications

Material Type Hot dip galvanized steel

Packaging and Weights

Included Hardware | Legs | Safety grating

Packaging quantity 1

Weight, net 468 kg | 1,031.762 lb

Regulatory Compliance/Certifications

Agency

ISO 9001:2015

Classification

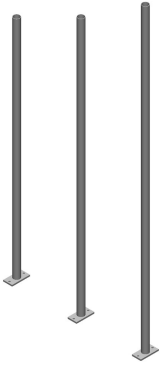
Designed, manufactured and/or distributed under this quality management system



Included Products

- MF-126 – Base Shoe Pipe Column, 10 ft 6 in
- WB-CY210 – Safety Grated Waveguide Bridge Channel, 24 in x 10 ft

MF-126



Base Shoe Pipe Column, 10 ft 6 in

Product Classification

Product Type Pipe column

General Specifications

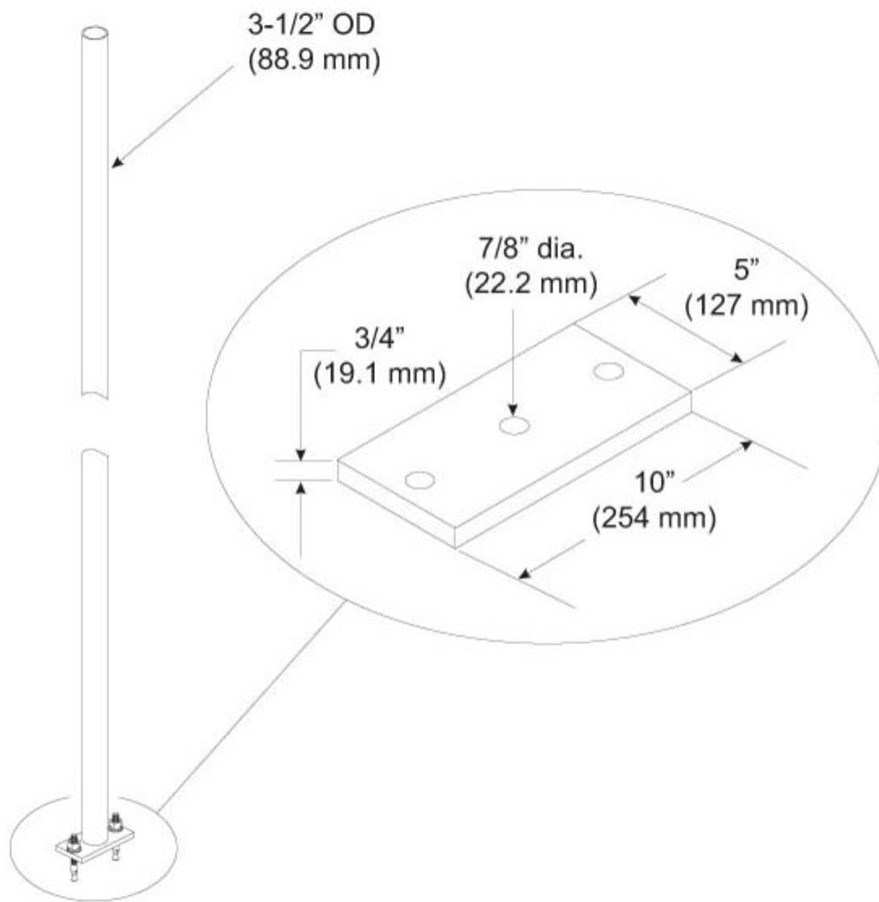
Application Base shoe
Mounting Waveguide bridge support bracket
Pipe, quantity 1

Dimensions

Height 3,200.4 mm | 126 in
Width 127 mm | 5 in
Length 254 mm | 10 in
Pipe Length 3,200.4 mm | 126 in
Pipe Outer Diameter 88.9 mm | 3.5 in

MF-126

Outline Drawing



Material Specifications

Material Type Hot dip galvanized steel

Packaging and Weights

Included Anchors | Pipe

Packaging quantity 1

Weight, net 41.7 kg | 91.933 lb

Regulatory Compliance/Certifications

Agency **Classification**

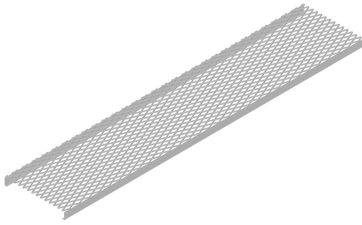
MF-126

ISO 9001:2015

Designed, manufactured and/or distributed under this quality management system



WB-CY210



Safety Grated Waveguide Bridge Channel, 24 in x 10 ft

Product Classification

Product Type Waveguide bridge channel

General Specifications

Application Waveguide bridge kit, 24 in

Dimensions

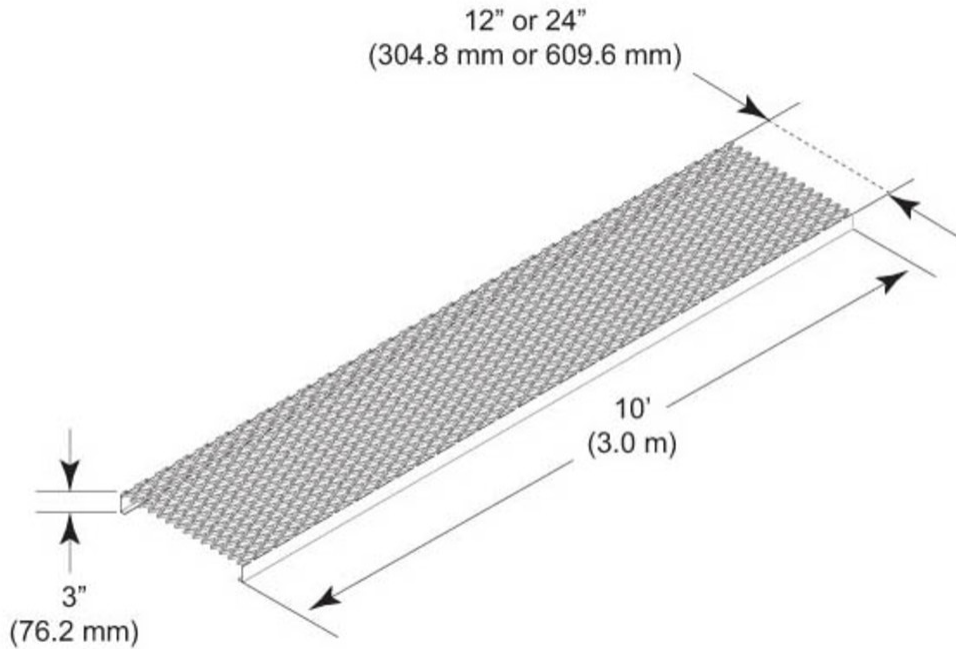
Height 76.2 mm | 3 in

Width 609.6 mm | 24 in

Length 3048 mm | 120 in

WB-CY210

Outline Drawing



Material Specifications

Material Type Hot dip galvanized steel

Packaging and Weights

Included Bridge channel

Packaging quantity 1

Weight, net 50.4 kg | 111.113 lb

Regulatory Compliance/Certifications

| Agency | Classification |
|---------------|--|
| CHINA-ROHS | Below maximum concentration value |
| ISO 9001:2015 | Designed, manufactured and/or distributed under this quality management system |
| REACH-SVHC | Compliant as per SVHC revision on www.commscope.com/ProductCompliance |
| ROHS | Compliant |

