

IC-1012-B



Ice Canopy, 10 ft x 12 ft, four 13 ft 4 in burial pipes

Product Classification

Product Type Ice canopies and shields

General Specifications

Pipe, quantity 4

Dimensions

Height 4064 mm | 160 in

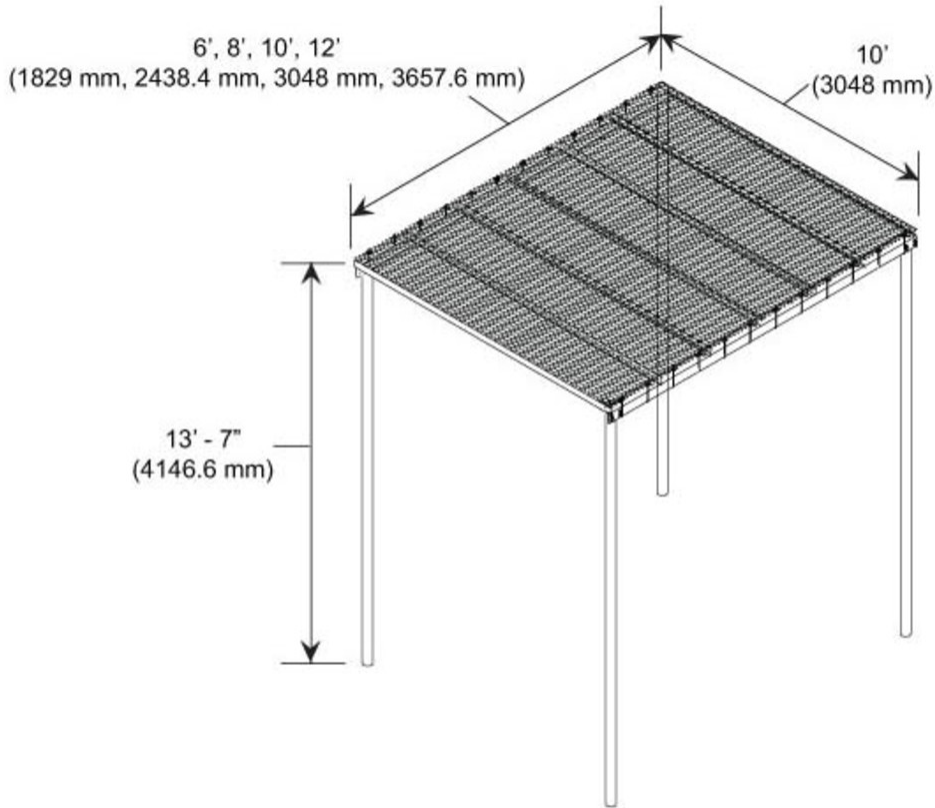
Width 3048 mm | 120 in

Length 3,657.6 mm | 144 in

Pipe Length 4064 mm | 160 in

IC-1012-B

Outline Drawing



Material Specifications

Material Type Hot dip galvanized steel

Packaging and Weights

Included Hardware | Legs | Safety grating

Packaging quantity 1

Weight, net 422 kg | 930.35 lb

Regulatory Compliance/Certifications

Agency

CHINA-ROHS

ISO 9001:2015

ROHS

Classification

Above maximum concentration value

Designed, manufactured and/or distributed under this quality management system

Compliant/Exempted

IC-1012-B

UK-ROHS

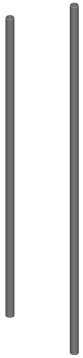
Compliant/Exempted



Included Products

- MF-130 – Direct Burial Pipe Column, 13 ft 4 in
- WB-CY210 – Safety Grated Waveguide Bridge Channel, 24 in x 10 ft

MF-130



Direct Burial Pipe Column, 13 ft 4 in

Product Classification

Product Type Pipe column

General Specifications

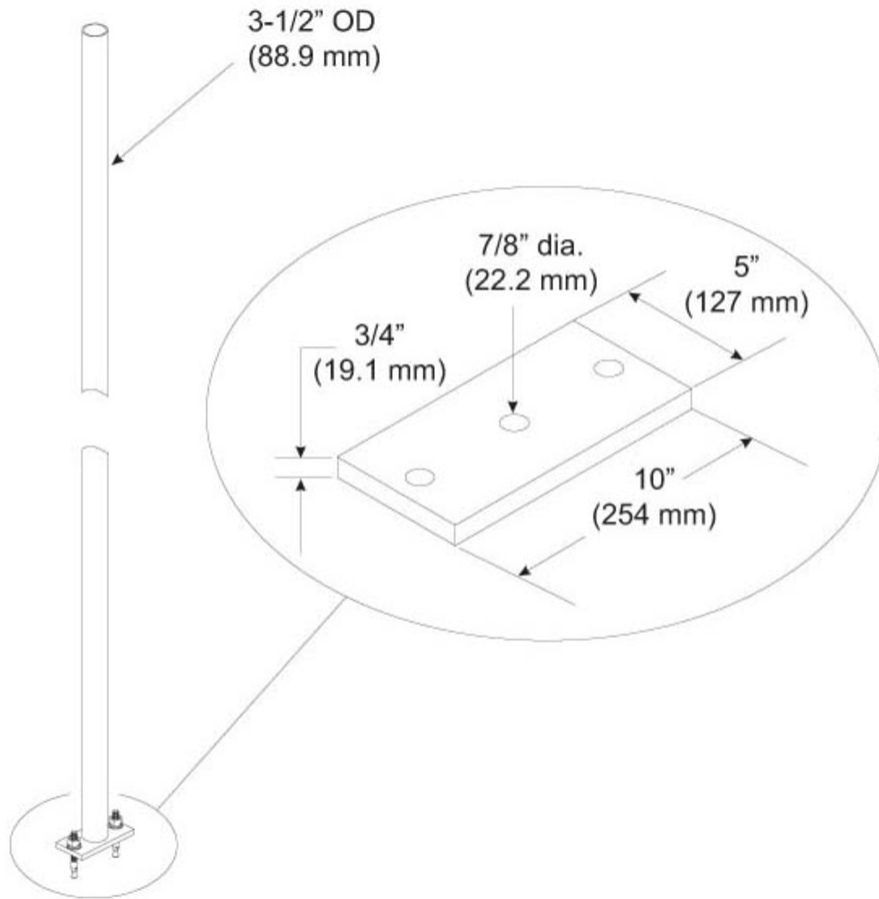
Application Direct burial
Mounting Waveguide bridge support bracket
Pipe, quantity 1

Dimensions

Height 4064 mm | 160 in
Width 88.9 mm | 3.5 in
Length 88.9 mm | 3.5 in
Pipe Length 4,053.84 mm | 159.6 in
Pipe Outer Diameter 88.9 mm | 3.5 in

MF-130

Outline Drawing



Material Specifications

Material Type Hot dip galvanized steel

Packaging and Weights

Included Anchors | Pipe

Packaging quantity 1

Weight, net 45.8 kg | 100.972 lb

Regulatory Compliance/Certifications

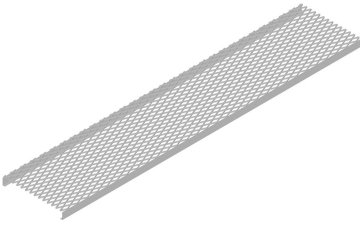
Agency **Classification**

MF-130

CHINA-ROHS	Above maximum concentration value
ISO 9001:2015	Designed, manufactured and/or distributed under this quality management system
ROHS	Compliant/Exempted
UK-ROHS	Compliant/Exempted



WB-CY210



Safety Grated Waveguide Bridge Channel, 24 in x 10 ft

Product Classification

Product Type Waveguide bridge channel

General Specifications

Application Waveguide bridge kit, 24 in

Dimensions

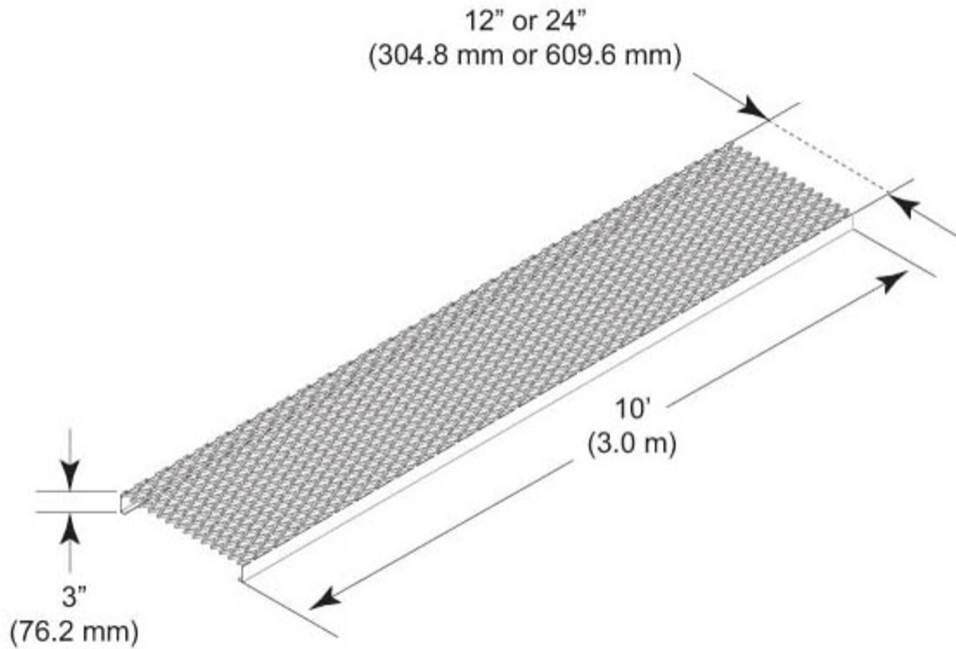
Height 76.2 mm | 3 in

Width 609.6 mm | 24 in

Length 3048 mm | 120 in

WB-CY210

Outline Drawing



Material Specifications

Material Type Hot dip galvanized steel

Packaging and Weights

Included Bridge channel

Packaging quantity 1

Weight, net 50.4 kg | 111.113 lb

Regulatory Compliance/Certifications

Agency	Classification
CHINA-ROHS	Above maximum concentration value
ISO 9001:2015	Designed, manufactured and/or distributed under this quality management system
ROHS	Compliant/Exempted
UK-ROHS	Compliant

