

HSR-PHK-Y



Stand-Off Kit for High Speed Polyamide RADIAX® Cable Hangers

OBSOLETE

This product was discontinued on: July 30, 2021

Product Classification

Product Type Hardware kit

General Specifications

Accessories Hardware

Installation Tool 8 mm drill bit required for installation

Thread Size M8

Dimensions

Maximum Stack Height 1

Hole Size 50–55 mm deep

Material Specifications

Material Type Stainless steel

Packaging and Weights

Height, packed 279.4 mm | 11 in

Width, packed 71.12 mm | 2.8 in

Length, packed 220.98 mm | 8.7 in

Packaging quantity 50

Weight, gross 4.001 kg | 8.82 lb

Regulatory Compliance/Certifications

Agency **Classification**

HSR-PHK-Y

CHINA-ROHS	Below maximum concentration value
ISO 9001:2015	Designed, manufactured and/or distributed under this quality management system
REACH-SVHC	Compliant as per SVHC revision on www.commscope.com/ProductCompliance
ROHS	Compliant
UK-ROHS	Compliant



Included Products

- HSR-ANCHOR-CS-S25 – Stainless Steel Countersunk Screw
- HSR-ANCHOR-S – Stainless Steel Stud Anchor with washer and hex nut
- HSR-ANCHOR-SW-S – Stainless Steel Spring Washer
- HSR-ANCHOR-W-S – Stainless Steel Flat Washer

* Footnotes

Maximum Stack Height Fiber, Hybrid, Power

HSR-ANCHOR-CS-S25

Stainless Steel Countersunk Screw



Product Classification

Product Type Screw

General Specifications

Thread Size M8

Dimensions

Length 24.892 mm | 0.98 in

Material Specifications

Material Type Stainless steel 304

Packaging and Weights

Packaging quantity 1

Weight, gross 0.009 kg | 0.02 lb

Regulatory Compliance/Certifications

Agency

ISO 9001:2015

Classification

Designed, manufactured and/or distributed under this quality management system



HSR-ANCHOR-S



Stainless Steel Stud Anchor with washer and hex nut

Product Classification

Product Type Hardware kit

General Specifications

Installation Tool 8 mm drill bit required for installation

Thread Size M8

Dimensions

Length 74.93 mm | 2.95 in

Hole Size 50–55 mm deep

Material Specifications

Material Type Stainless steel 304

Packaging and Weights

Packaging quantity 1

Weight, gross 0.032 kg | 0.07 lb

Regulatory Compliance/Certifications

Agency

ISO 9001:2015

Classification

Designed, manufactured and/or distributed under this quality management system



HSR-ANCHOR-SW-S



Stainless Steel Spring Washer

Product Classification

Product Type Washer

Dimensions

Height 2.032 mm | 0.08 in

Width 12.446 mm | 0.49 in

Material Specifications

Material Type Stainless steel 304

Packaging and Weights

Packaging quantity 1

Weight, gross 0 kg | 0 lb

Regulatory Compliance/Certifications

Agency

ISO 9001:2015

Classification

Designed, manufactured and/or distributed under this quality management system



HSR-ANCHOR-W-S



Stainless Steel Flat Washer

Product Classification

Product Type Washer

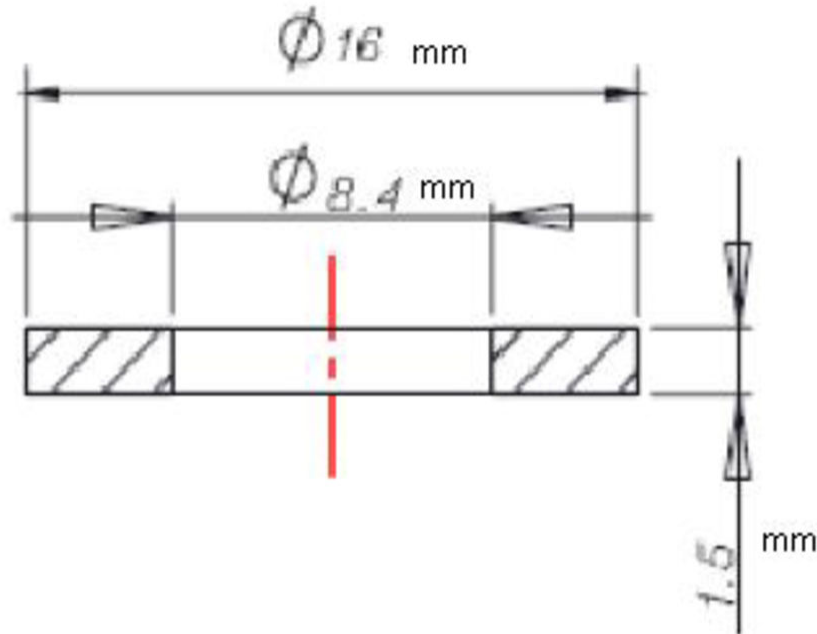
Dimensions

Height 1.524 mm | 0.06 in

Width 16.002 mm | 0.63 in

Outline Drawing

HSR-ANCHOR-W-S



Material Specifications

Material Type Stainless steel 304

Packaging and Weights

Packaging quantity 1

Weight, gross 0 kg | 0 lb

Regulatory Compliance/Certifications

Agency

ISO 9001:2015

Classification

Designed, manufactured and/or distributed under this quality management system



HSR-ANCHOR-W-S
