

HSR-ANCHOR-W-S



Stainless Steel Flat Washer

Product Classification

Product Type Washer

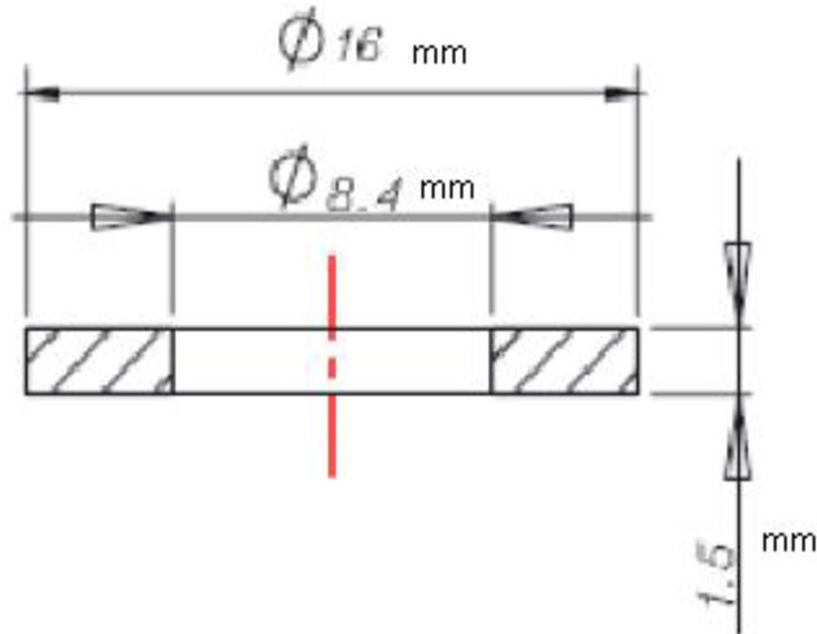
Dimensions

Height 1.524 mm | 0.06 in

Width 16.002 mm | 0.63 in

Outline Drawing

HSR-ANCHOR-W-S



Material Specifications

Material Type Stainless steel 304

Packaging and Weights

Packaging quantity 1

Weight, gross 0 kg | 0 lb

Regulatory Compliance/Certifications

Agency	Classification
ISO 9001:2015	Designed, manufactured and/or distributed under this quality management system