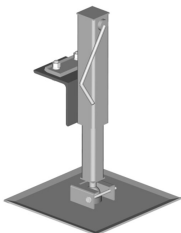


# EQ-P-AL

---



Equipment Platform Adjustable Leg

## Product Classification

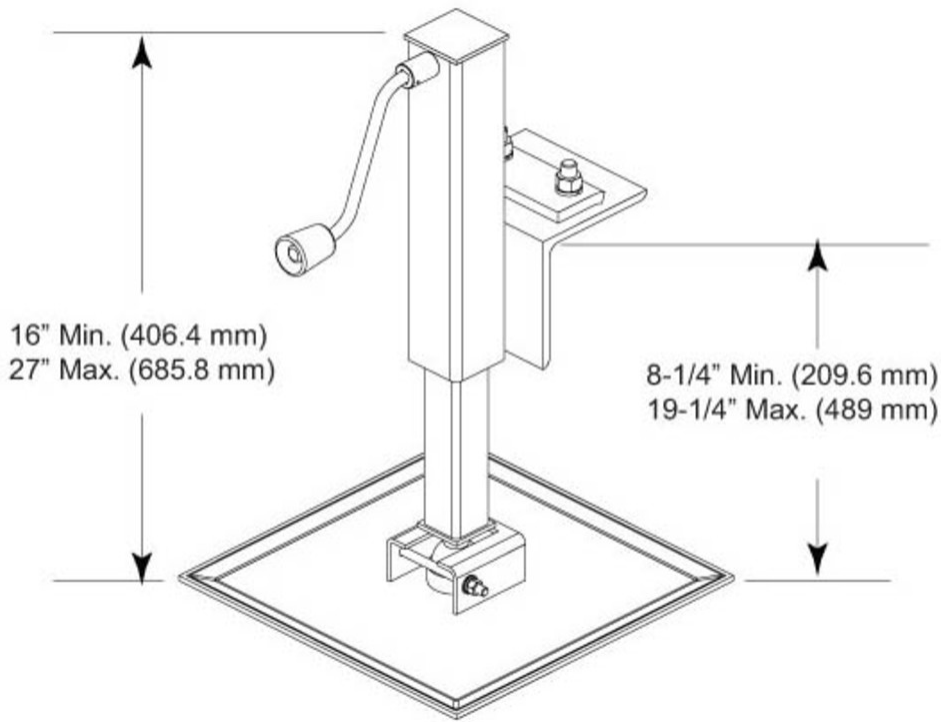
**Product Type**            Equipment platform system

## Dimensions

- Height**                    685.8 mm | 27 in
- Width**                    406.4 mm | 16 in
- Length**                   406.4 mm | 16 in

# EQ-P-AL

## Outline Drawing



## Material Specifications

**Material Type** Hot dip galvanized steel

## Packaging and Weights

**Included** Legs

**Packaging quantity** 1

**Weight, net** 20.4 kg | 44.974 lb

## Regulatory Compliance/Certifications

Agency	Classification
CHINA-ROHS	Above maximum concentration value
ISO 9001:2015	Designed, manufactured and/or distributed under this quality management system
ROHS	Compliant/Exempted
UK-ROHS	Compliant/Exempted

# EQ-P-AL

---

