

# CS-B-R6

---



Cluster Support Bracket, large version, u-bolt for 2-3/8 in OD round member attachment

## Product Classification

**Product Type** Support bracket

## General Specifications

**Cable Runs, quantity** 7

**Hole, quantity** 7

**Mounting** Cluster support

## Dimensions

**Height** 127 mm | 5 in

**Width** 228.6 mm | 9 in

**Length** 254 mm | 10 in

**Mounting Diameter, maximum** 203.2 mm | 8 in

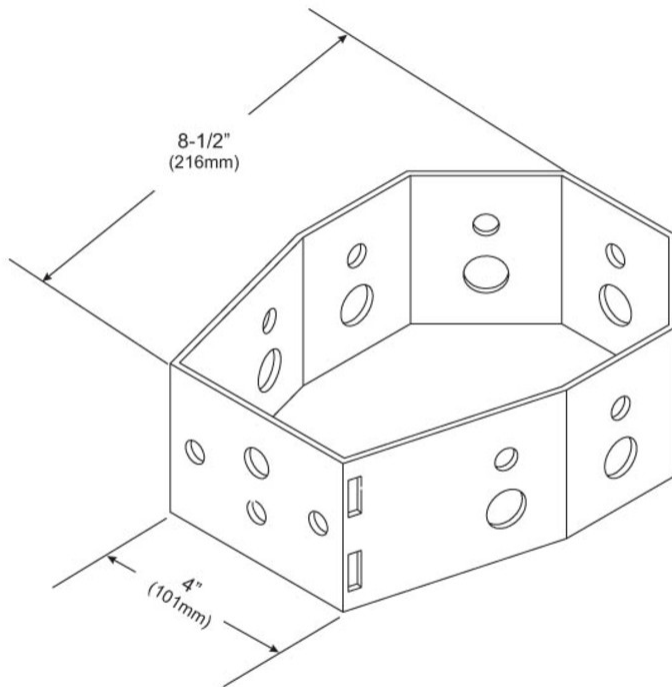
**Mounting Diameter, minimum** 152.4 mm | 6 in

**Pipe Outer Diameter** 60.96 mm | 2.4 in

**Hole Size** 3/4 in | 7/16 in

# CS-B-R6

## Outline Drawing



## Material Specifications

**Material Type** Hot dip galvanized steel

## Packaging and Weights

**Included** Brackets  
**Packaging quantity** 1  
**Weight, net** 3.6 kg | 7.937 lb

## Regulatory Compliance/Certifications

**Agency** **Classification**

# CS-B-R6

ISO 9001:2015

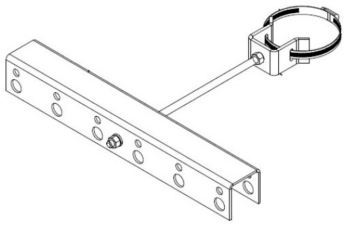
Designed, manufactured and/or distributed under this quality management system



## Included Products

- ACS-12 – Antenna and RRU Cable Support Bracket for up to 12 Cables
- CS-B – Cluster Support Bracket
- PG-CS08 – PIM-Guard Antenna and RRU Cable Support Bracket with 8 ports for stackable hangers (up to 3 per port). Install with torque wrench set at 10 to 15 ft-lb to meet carrier PIM requirements. For patents, see [www.cs-pat.com](http://www.cs-pat.com)
- PG-CS23 – PIM-Guard Antenna and RRU Cable Support Bracket with 23 ports for stackable hangers (up to 3 per port). Install with torque wrench set at 10 to 15 ft-lb to meet carrier PIM requirements. For patents, see [www.cs-pat.com](http://www.cs-pat.com)
- PG-CSEB17 – PIM-Guard Expansion Bracket - expands PG-CS08 Cable Support Bracket to 23 Ports. For patents, see [www.cs-pat.com](http://www.cs-pat.com)
- PG-RM06 – PIM-Guard Round Member Cable Support Bracket 6 ports for stackable hangers (up to 3 per port). Install with torque wrench set at 5 to 7 ft-lb to meet carrier PIM requirements. For patents, see [www.cs-pat.com](http://www.cs-pat.com)
- PG-RMBH12 – PIM-Guard Round Member Cable Support Bracket for Block Hangers - Two 3/8" stainless steel threaded rods for up to 12 hangers. Install with torque wrench set at 10 to 15 ft-lb to meet carrier PIM requirements.
- PG-RMBH12-BP – PIM-Guard Round Member Cable Support Bracket for Block Hangers (pkg of 10)- Two 3/8" stainless steel threaded rods for up to 12 hangers. Install with torque wrench set at 10 to 15 ft-lb to meet carrier PIM requirements.

# ACS-12



## Antenna and RRU Cable Support Bracket for up to 12 Cables

### Product Classification

<b>Product Type</b>	Support bracket
<b>Customer Material Number</b>	ANT.16500

### General Specifications

<b>Cable Runs, quantity</b>	12
<b>Hole, quantity</b>	12

### Dimensions

<b>Width</b>	419.1 mm   16.5 in
<b>Length</b>	294.64 mm   11.6 in
<b>Mounting Diameter, maximum</b>	50.8 mm   2 in
<b>Mounting Diameter, minimum</b>	254 mm   10 in
<b>Hole Size</b>	3/4 in   7/16 in

### Material Specifications

<b>Material Type</b>	Hot dip galvanized steel
----------------------	--------------------------

### Packaging and Weights

<b>Packaging quantity</b>	1
<b>Weight, net</b>	2 kg   4.409 lb

### Regulatory Compliance/Certifications

<b>Agency</b>	<b>Classification</b>
CHINA-ROHS	Below maximum concentration value
ISO 9001:2015	Designed, manufactured and/or distributed under this quality management system
REACH-SVHC	Compliant as per SVHC revision on <a href="http://www.commscope.com/ProductCompliance">www.commscope.com/ProductCompliance</a>
ROHS	Compliant





## Cluster Support Bracket

### Product Classification

**Product Type** Support bracket

### General Specifications

**Cable Runs, quantity** 7

**Hole, quantity** 7

**Mounting** Cluster support

### Dimensions

**Height** 127 mm | 5 in

**Width** 228.6 mm | 9 in

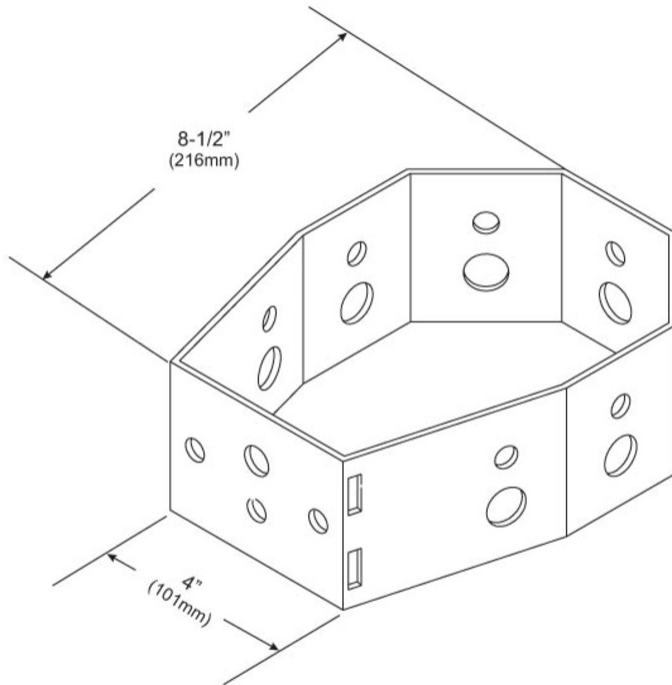
**Length** 152.4 mm | 6 in

**Pipe Outer Diameter** 60.96 mm | 2.4 in

**Hole Size** 3/4 in | 7/16 in

# CS-B

## Outline Drawing



## Material Specifications

**Material Type** Hot dip galvanized steel

## Packaging and Weights

**Included** Brackets  
**Packaging quantity** 1  
**Weight, net** 1.4 kg | 3.086 lb

## Regulatory Compliance/Certifications

**Agency** **Classification**

# CS-B

---

ISO 9001:2015

Designed, manufactured and/or distributed under this quality management system

REACH-SVHC

Compliant as per SVHC revision on [www.commscope.com/ProductCompliance](http://www.commscope.com/ProductCompliance)

ROHS

Compliant





# PG-CS08



PIM-Guard Antenna and RRU Cable Support Bracket with 8 ports for stackable hangers (up to 3 per port). Install with torque wrench set at 10 to 15 ft-lb to meet carrier PIM requirements. For patents, see [www.cs-pat.com](http://www.cs-pat.com)

## Product Classification

<b>Product Type</b>	Support bracket
<b>Product Brand</b>	PIM-Guard

## General Specifications

<b>Cable Runs, quantity</b>	8
<b>Hole, quantity</b>	8
<b>Mounting</b>	Pipe, 60.3–114.3 mm (2-3/8 in to 4-1/2 in) OD

## Dimensions

<b>Height</b>	55.88 mm   2.2 in
<b>Width</b>	248.92 mm   9.8 in
<b>Length</b>	317.5 mm   12.5 in
<b>Mounting Diameter, maximum</b>	60.96 mm   2.4 in
<b>Mounting Diameter, minimum</b>	114.3 mm   4.5 in
<b>Hole Size</b>	3/4 in   7/16 in

## Material Specifications

<b>Material Type</b>	Hot dip galvanized steel
----------------------	--------------------------

## Packaging and Weights

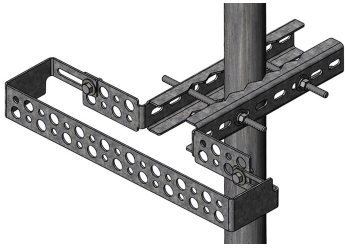
<b>Packaging quantity</b>	1
<b>Weight, net</b>	4.1 kg   9.039 lb

## Regulatory Compliance/Certifications

<b>Agency</b>	<b>Classification</b>
ISO 9001:2015	Designed, manufactured and/or distributed under this quality management system



# PG-CS23



PIM-Guard Antenna and RRU Cable Support Bracket with 23 ports for stackable hangers (up to 3 per port). Install with torque wrench set at 10 to 15 ft-lb to meet carrier PIM requirements. For patents, see [www.cs-pat.com](http://www.cs-pat.com)

## Product Classification

<b>Product Type</b>	Support bracket
<b>Product Brand</b>	PIM-Guard

## General Specifications

<b>Cable Runs, quantity</b>	23
<b>Hole, quantity</b>	23
<b>Mounting</b>	Pipe, 60.3–114.3 mm (2-3/8 in to 4-1/2 in) OD

## Dimensions

<b>Height</b>	55.88 mm   2.2 in
<b>Width</b>	457.2 mm   18 in
<b>Length</b>	419.1 mm   16.5 in
<b>Mounting Diameter, maximum</b>	60.96 mm   2.4 in
<b>Mounting Diameter, minimum</b>	114.3 mm   4.5 in
<b>Hole Size</b>	3/4 in   7/16 in

## Material Specifications

<b>Material Type</b>	Hot dip galvanized steel
----------------------	--------------------------

## Packaging and Weights

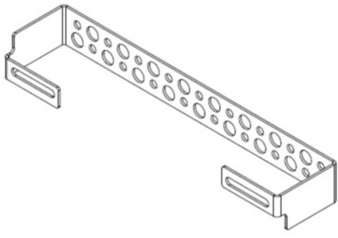
<b>Packaging quantity</b>	1
<b>Weight, net</b>	5.1 kg   11.244 lb

## Regulatory Compliance/Certifications

<b>Agency</b>	<b>Classification</b>
ISO 9001:2015	Designed, manufactured and/or distributed under this quality management system



# PG-CSEB17



PIM-Guard Expansion Bracket - expands PG-CS08 Cable Support Bracket to 23 Ports. For patents, see [www.cs-pat.com](http://www.cs-pat.com)

## Product Classification

<b>Product Type</b>	Support bracket
<b>Product Brand</b>	PIM-Guard

## General Specifications

<b>Cable Runs, quantity</b>	17
<b>Hole, quantity</b>	17

## Dimensions

<b>Height</b>	55.88 mm   2.2 in
<b>Width</b>	457.2 mm   18 in
<b>Length</b>	101.6 mm   4 in
<b>Hole Size</b>	3/4 in   7/16 in

## Material Specifications

<b>Material Type</b>	Hot dip galvanized steel
----------------------	--------------------------

## Packaging and Weights

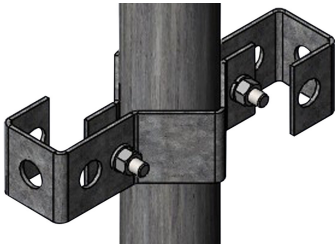
<b>Packaging quantity</b>	1
<b>Weight, net</b>	0.8 kg   1.764 lb

## Regulatory Compliance/Certifications

<b>Agency</b>	<b>Classification</b>
ISO 9001:2015	Designed, manufactured and/or distributed under this quality management system



# PG-RM06



PIM-Guard Round Member Cable Support Bracket 6 ports for stackable hangers (up to 3 per port). Install with torque wrench set at 5 to 7 ft-lb to meet carrier PIM requirements. For patents, see [www.cs-pat.com](http://www.cs-pat.com)

## Product Classification

<b>Product Type</b>	Support bracket
<b>Product Brand</b>	PIM-Guard

## General Specifications

<b>Cable Runs, quantity</b>	6
<b>Hole, quantity</b>	6
<b>Mounting</b>	Pipe, 60.3–88.9 mm (2-3/8 in to 3-1/2 in) OD

## Dimensions

<b>Height</b>	50.8 mm   2 in
<b>Width</b>	50.8 mm   2 in
<b>Length</b>	198.12 mm   7.8 in
<b>Mounting Diameter, maximum</b>	60.96 mm   2.4 in
<b>Mounting Diameter, minimum</b>	88.9 mm   3.5 in
<b>Hole Size</b>	3/4 in

## Material Specifications

<b>Material Type</b>	Hot dip galvanized steel
----------------------	--------------------------

## Packaging and Weights

<b>Packaging quantity</b>	1
<b>Weight, net</b>	2.3 kg   5.071 lb

## Regulatory Compliance/Certifications

<b>Agency</b>	<b>Classification</b>
CHINA-ROHS	Below maximum concentration value
ISO 9001:2015	Designed, manufactured and/or distributed under this quality management system

# PG-RM06

---

REACH-SVHC

Compliant as per SVHC revision on [www.commscope.com/ProductCompliance](http://www.commscope.com/ProductCompliance)

ROHS

Compliant



# PG-RMBH12



PIM-Guard Round Member Cable Support Bracket for Block Hangers - Two 3/8" stainless steel threaded rods for up to 12 hangers. Install with torque wrench set at 10 to 15 ft-lb to meet carrier PIM requirements.

## Product Classification

<b>Product Type</b>	Support bracket
<b>Product Brand</b>	PIM-Guard

## General Specifications

<b>Cable Runs, quantity</b>	12
<b>Mounting</b>	Pipe, 60.3–88.9 mm (2-3/8 in to 3-1/2 in) OD

## Dimensions

<b>Height</b>	38.1 mm   1.5 in
<b>Width</b>	139.7 mm   5.5 in
<b>Length</b>	304.8 mm   12 in
<b>Mounting Diameter, maximum</b>	60.96 mm   2.4 in
<b>Mounting Diameter, minimum</b>	88.9 mm   3.5 in

## Material Specifications

<b>Material Type</b>	Hot dip galvanized steel   Stainless steel
----------------------	--

## Packaging and Weights

<b>Included</b>	Attachment hardware   Clamps   Threaded rod
<b>Packaging quantity</b>	1
<b>Weight, net</b>	2.6 kg   5.732 lb

## Regulatory Compliance/Certifications

<b>Agency</b>	<b>Classification</b>
ISO 9001:2015	Designed, manufactured and/or distributed under this quality management system





# PG-RMBH12-BP



PIM-Guard Round Member Cable Support Bracket for Block Hangers (pkg of 10)- Two 3/8" stainless steel threaded rods for up to 12 hangers. Install with torque wrench set at 10 to 15 ft-lb to meet carrier PIM requirements.

## Product Classification

<b>Product Type</b>	Support bracket
<b>Product Brand</b>	PIM-Guard

## General Specifications

<b>Cable Runs, quantity</b>	12
<b>Mounting</b>	Pipe, 60.3–88.9 mm (2-3/8 in to 3-1/2 in) OD

## Dimensions

<b>Height</b>	38.1 mm   1.5 in
<b>Width</b>	139.7 mm   5.5 in
<b>Length</b>	304.8 mm   12 in
<b>Mounting Diameter, maximum</b>	60.96 mm   2.4 in
<b>Mounting Diameter, minimum</b>	88.9 mm   3.5 in

## Material Specifications

<b>Material Type</b>	Hot dip galvanized steel   Stainless steel
----------------------	--

## Packaging and Weights

<b>Included</b>	Attachment hardware   Clamps   Threaded rod
<b>Packaging quantity</b>	10
<b>Weight, net</b>	2.6 kg   5.732 lb

## Regulatory Compliance/Certifications

<b>Agency</b>	<b>Classification</b>
ISO 9001:2015	Designed, manufactured and/or distributed under this quality management system

