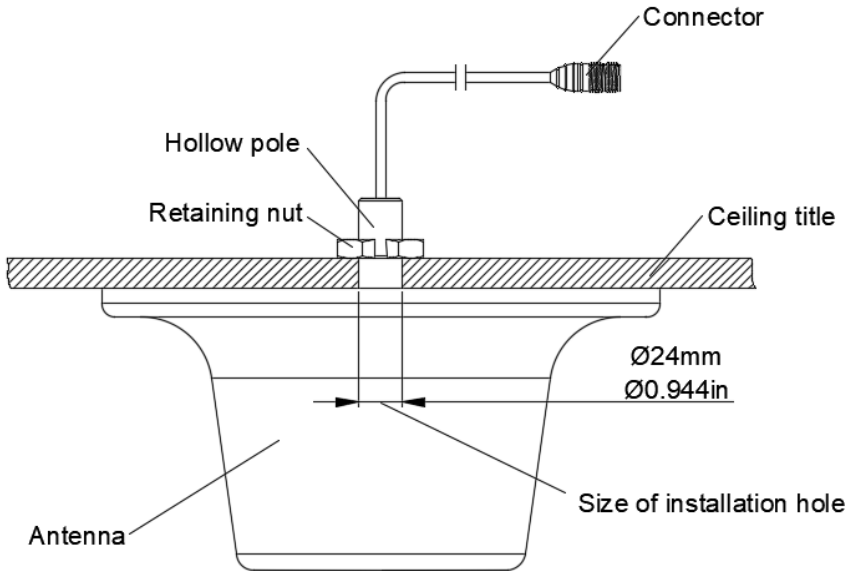


INSTALLATION INSTRUCTION FOR C MAX-O-TCPUSEWI53

Installation Mode1:



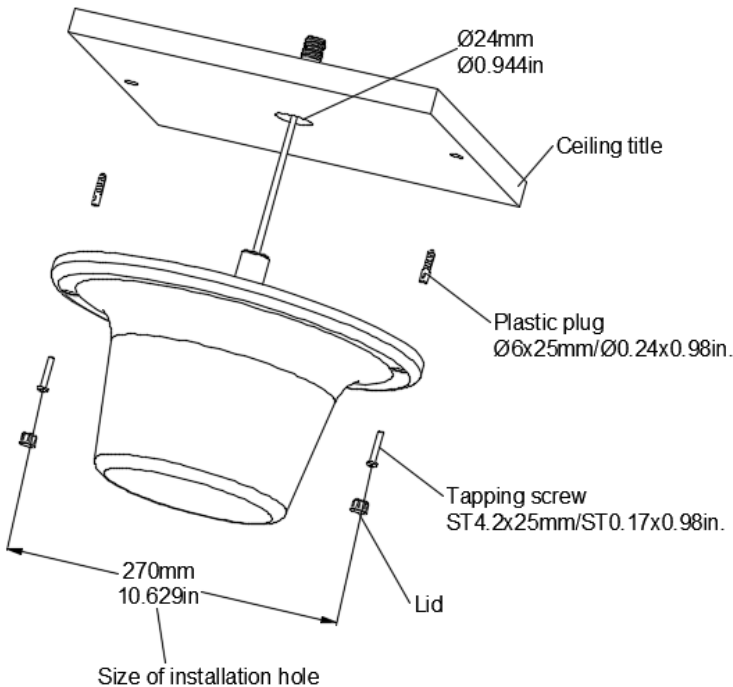
Installation Steps

- 1) Drill a hole in the ceiling with the diameter shown above.
- 2) Remove the retaining nut from the back of the antenna.
- 3) Lead the pigtail through the hole in the ceiling.
- 4) Mount the antenna on the ceiling by reinstalling the retaining nut removed before.

Note:

Cable min. bending radius: 40mm

Installation Mode 2:



Installation Steps

- 1) Drill 3 holes in the ceiling tile with the diameter shown above.
- 2) Insert the plastic plug into the holes.
- 3) Remove the retaining nut from the back of the antenna.
- 4) Mount the antenna on the ceiling by tapping screws and the matched plastic plug stuck in the ceiling.
- 5) Cover the tapping screw with a lid.

Note:

Cable min. bending radius: 40mm

© Copyright 2021 CommScope, Inc.

All rights reserved.

All information contained in this manual has been revised thoroughly. Yet CommScope accepts no liability for any omissions or faults.

CommScope reserves the right to change all hardware and software characteristics without notice.

Names of products mentioned herein are used for identification purposes only and may be trademarks and / or registered trademarks of their respective companies.

No parts of this publication may be reproduced, stored in a retrieval system, transmitted in any form or by any means, electronic, mechanical photocopying, recording or otherwise, without prior written permission of the publisher.

CommScope, 14-January-2021